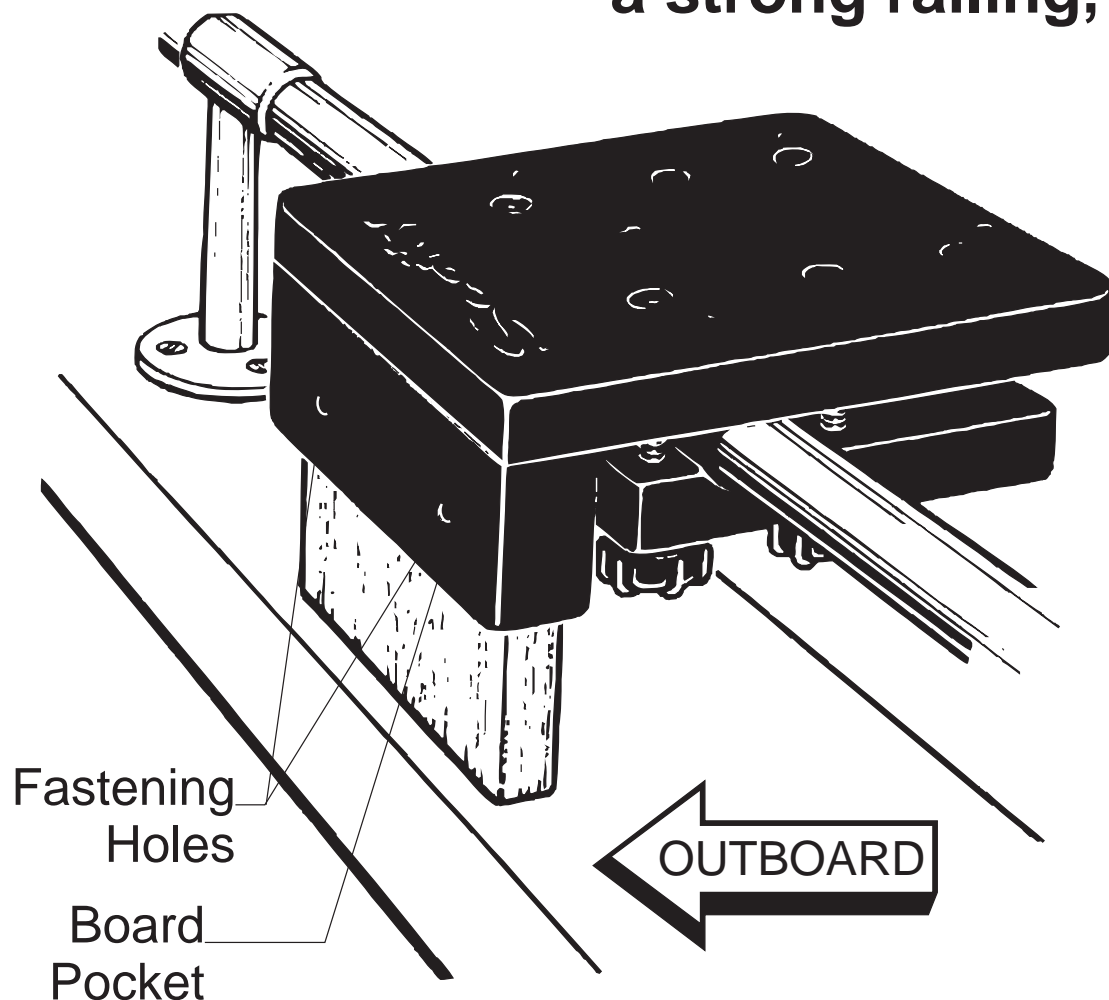




#1027 RAIL MOUNT BRACKET

*** IMPORTANT: This Downrigger Mounting system relies on a strong railing, securely fastened to the boat ***



1. Place rail mount assembly on railing as shown in diagram.
2. The Mount is supported on the gunnel by a 1" x 6" board of dressed* lumber. To determine the length of this board, measure distance from gunnel surface up into the inside of the board pocket. Cut board to desired length.
3. Fasten board into the pocket with screws supplied.

* Note: a 1" x 6" board is a standard dressed lumber dimension, actual size is smaller.

View [other trolling gear](#) made by [Scotty](#) on our website.