



Anchor Lock

with Removable Mounting System

No. 276 Side/Deck Mount
or
No. 277 Flush Mount

MOUNTING INSTRUCTIONS

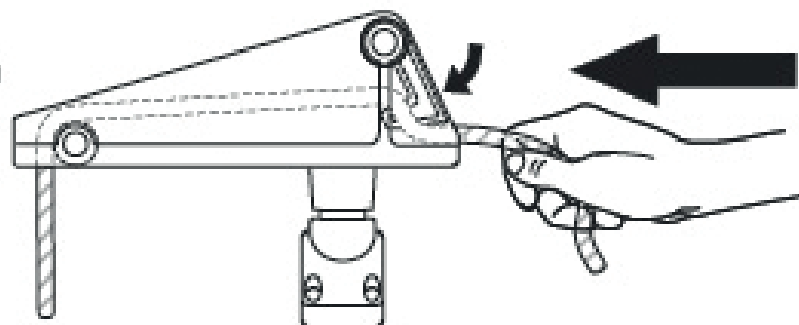
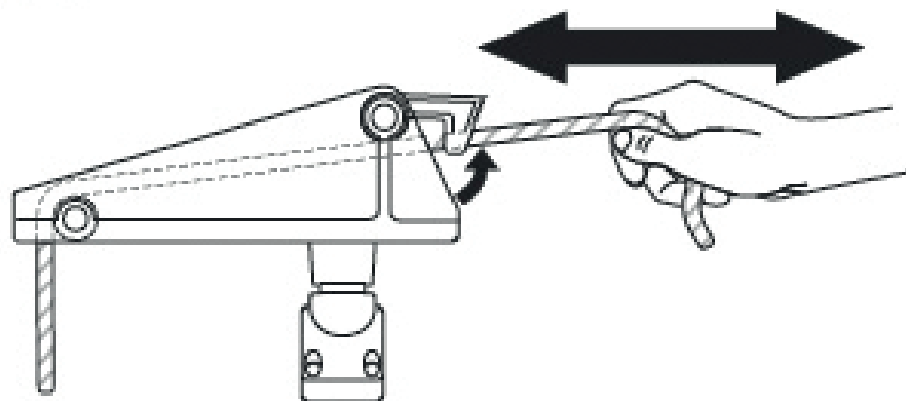
The Portable Anchor Lock is designed to be inserted or removed from the mounting bracket when pointing inboard, and is locked in every other direction. Install the bracket (either No.241 Deck/Side Mount or No.244 Flush Mount) with the "Scotty" logo right way up when reading from inboard. For the No.244 Flush Mount, drill a 1-3/8" hole in desired location (Fasteners not included).



No. 241
Side/Deck Mount



No. 244
Flush Deck Mount



WARNING:

This product contains lead, a chemical known to the State of California to cause cancer and birth defects and other reproductive harm.
(The bronze bearing in this product contains lead)

Learn more about [other rod holders & storage](#) by [Scotty](#) on our website.