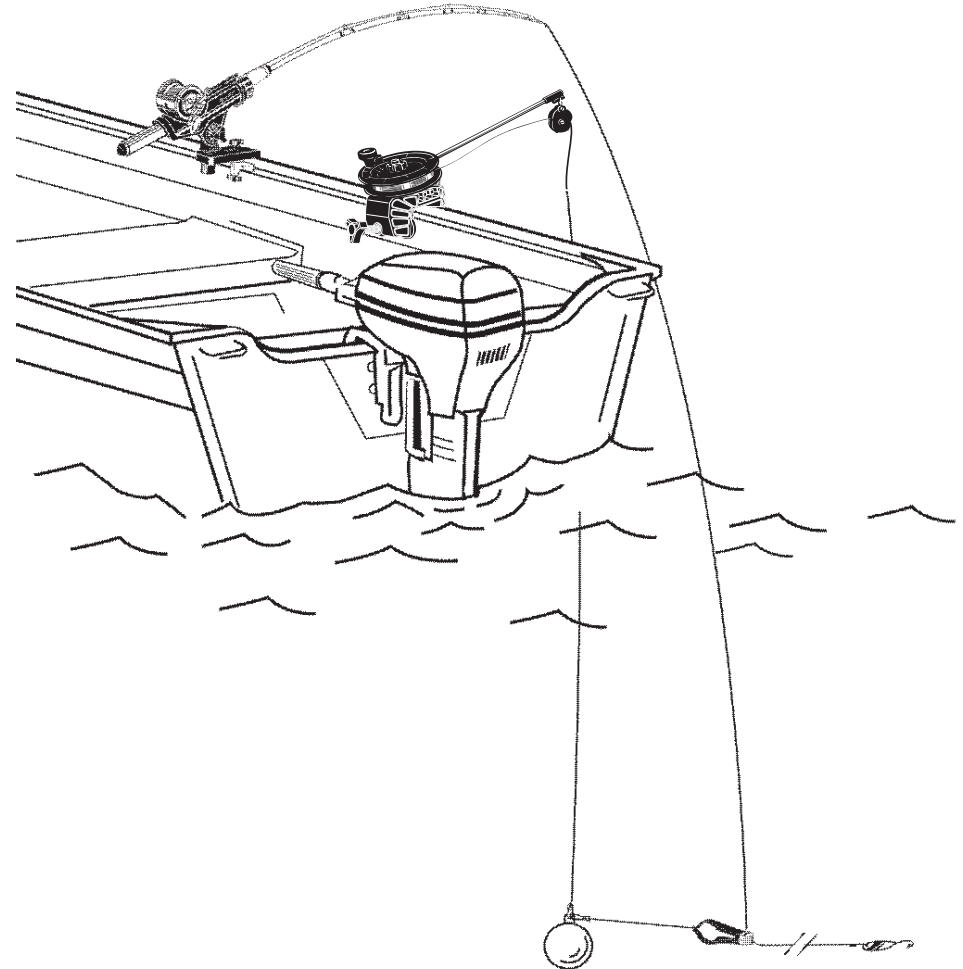


Your Scotty laketroller is constructed of corrosion resistant materials. The following regular maintenance checks should be performed:

1. Rinse with fresh water after every use.
2. Routinely check the stainless steel fastenings with a screwdriver to see that they are snug and secure.
3. Do not use any lubricants. Lubricants will attack the plastic components.
4. Do not expose the downrigger to ultraviolet light for extended periods of time.

## INSTRUCTIONS



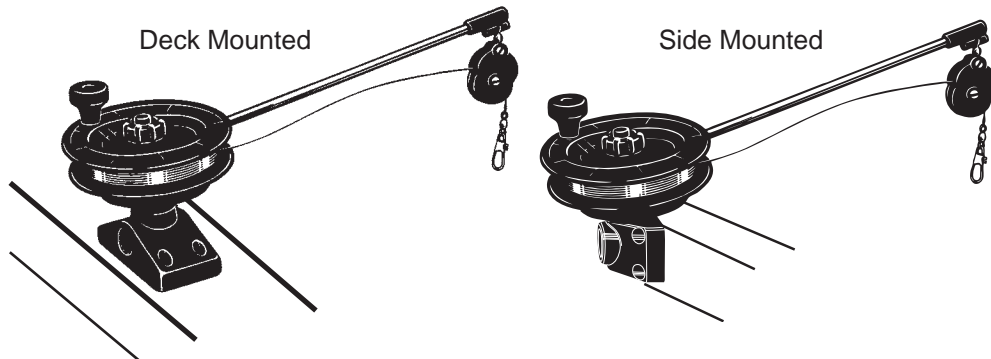
The Way To Fish™

# Mounting

## Bracket Mount Laketroller

The bracket mount laketroller is designed to enter the mounting bracket only when pointing inboard. And is locked in every other direction.

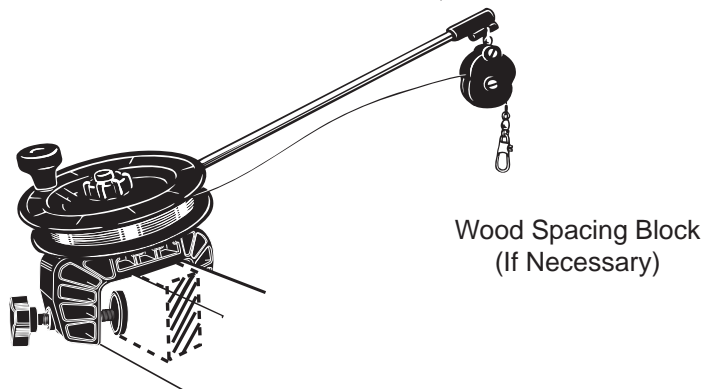
**To ensure the mounting bracket is correctly positioned, the ‘Scotty’ trademark on the bracket should read right way up, when looking from inboard.**



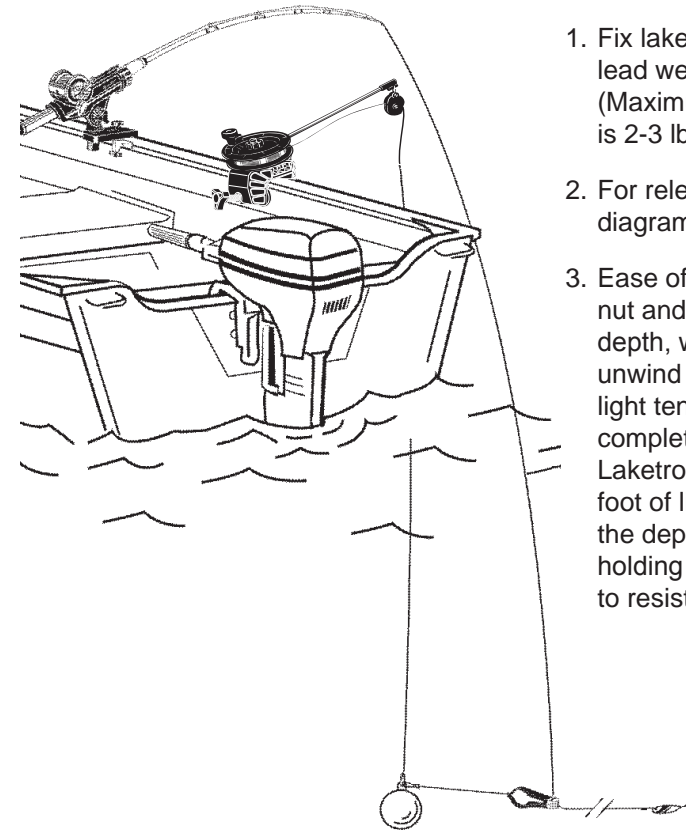
When mounting the bracket, a wood or metal backing plate on the underside of the gunnel should be used to distribute the load. When side mounting, the bracket should be mounted as flush to the gunnel top as possible to allow full swivel rotation.

## Clamp Mount Laketroller

If necessary, use a small block of wood for spacing on the outside of the gunwale. Make sure your laketroller is securely clamped. A safety line tied from the laketroller to the boat is a good idea.



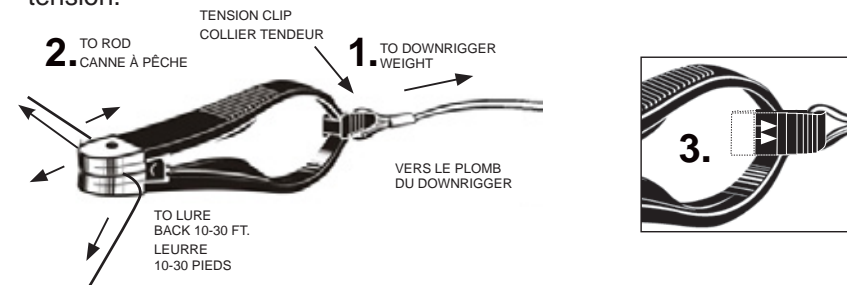
# How to use your Laketroller



1. Fix laketroller to boat and attach lead weight to metal swivel-hook (Maximum recommended weight is 2-3 lbs or 0.9kg – 1.35kg ),
2. For release clip set-up, refer to diagram at bottom of page.
3. Ease off laketroller brake tension nut and crank down to desired depth, while letting fishing line unwind from fishing reel with light tension drag on reel. One complete revolution of the Laketroller spool releases one foot of line. Count turns to troll at the depth you want and then set holding drag lightly, just enough to resist weight.

## “Mini Power grip “ release instructions

1. Attach the snap swivel of the Mini Power Grip release to the downrigger weight.
2. Attach your fishing line to the Mini Power Grip release by squeezing the jaws apart and placing your fishing line between the pads. The release tension is lighter at the outer tip, and is heavier the further into the jaws you place the line.
3. The “tension adjuster” can be moved forward or back to double the release tension.



If you're looking for quality trolling gear, visit our website.