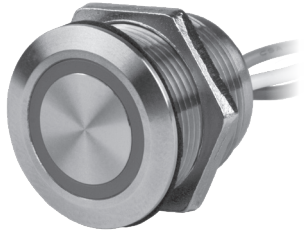


**LED Touch Dimmer
(No On/Off Feature)**



403061-1

Motion Sensor Switch



403066-1

**LED Pop-Out Navigation
Light**



400054-3

LED On/Off Switch



403063-1

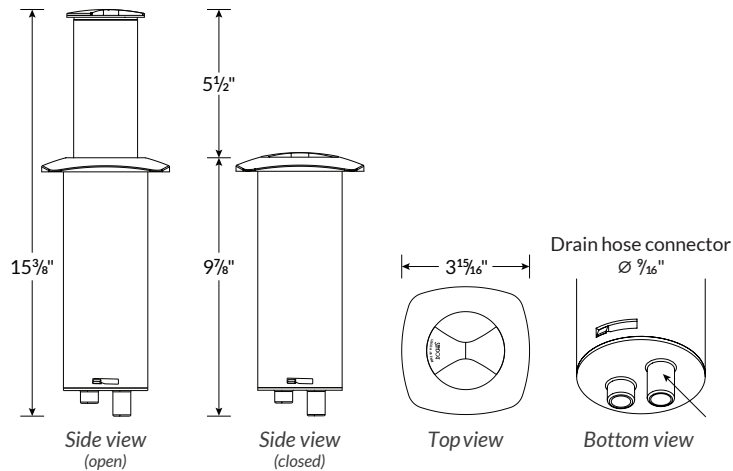
AURORA LED POP-UP LIGHT

INSTRUCTIONS

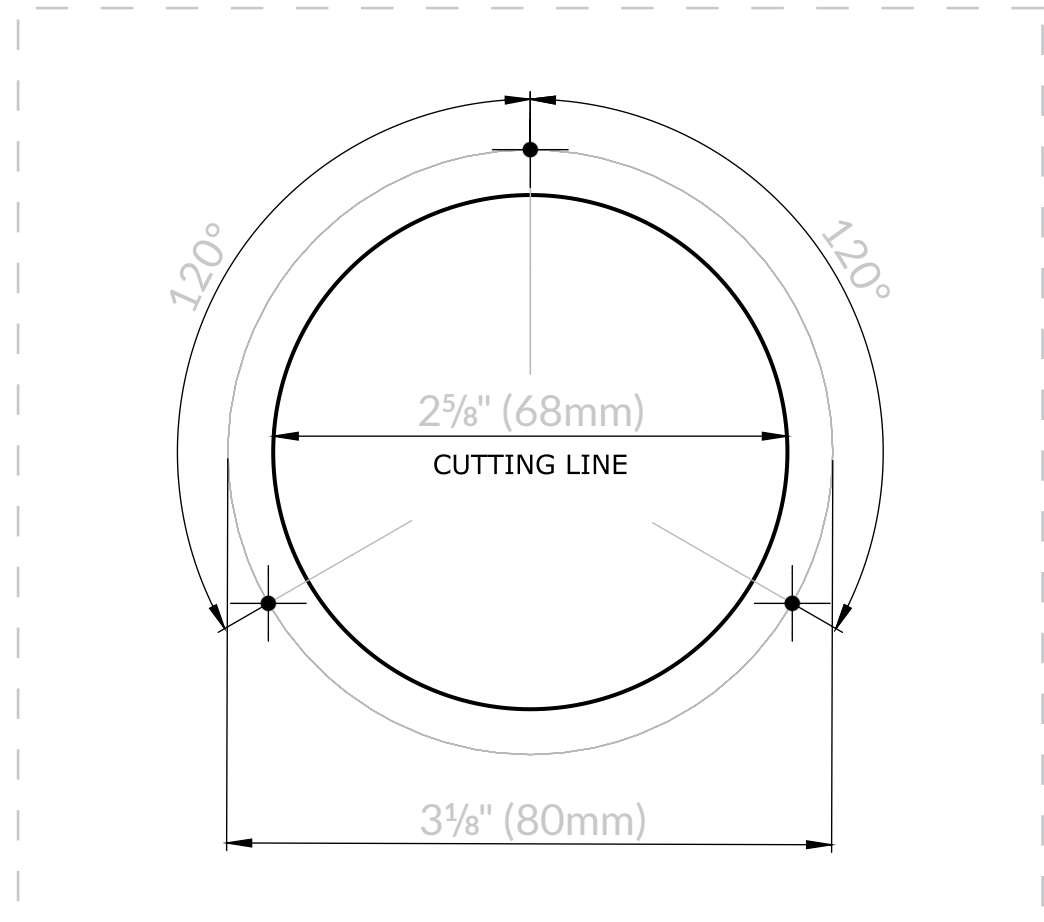


TECHNICAL DATA

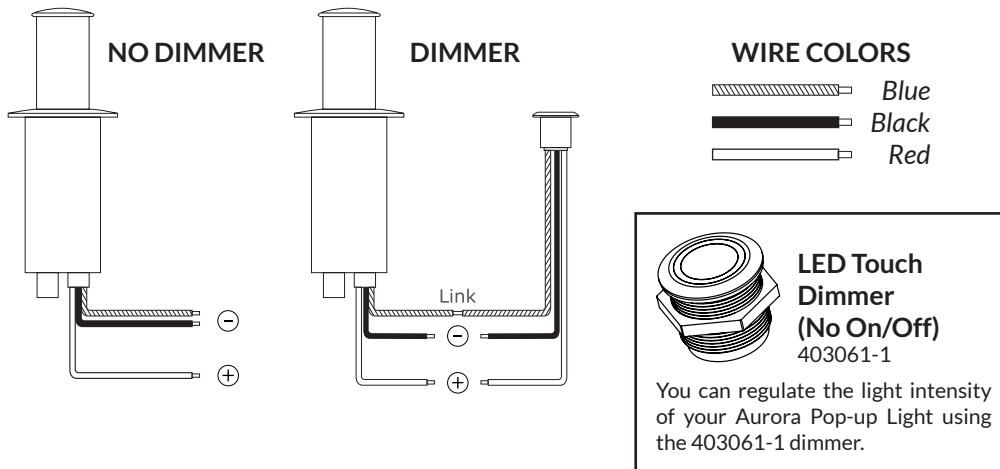
Voltage System.....	12V - 24V
Power Consumption.....	7W
Equivalent Power.....	40W
Amp Consumption.....	700mA @ 12V 310mA @ 24V
LED Protection (up to).....	38V
Polarity Sensitive.....	Yes
LED Color Temperature.....	3000°K
Light Output.....	500 lumens



INSTALLATION TEMPLATE



WIRING DIAGRAM



Some minor water infiltrations can occur. If the built-in part of the lamp is installed onto a compartment that must be kept dry please connect a drain to the connector.

Learn more about boat cabin and galley we have.