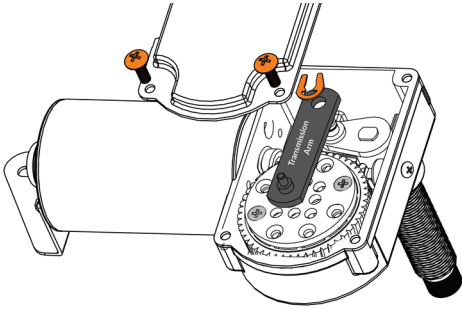
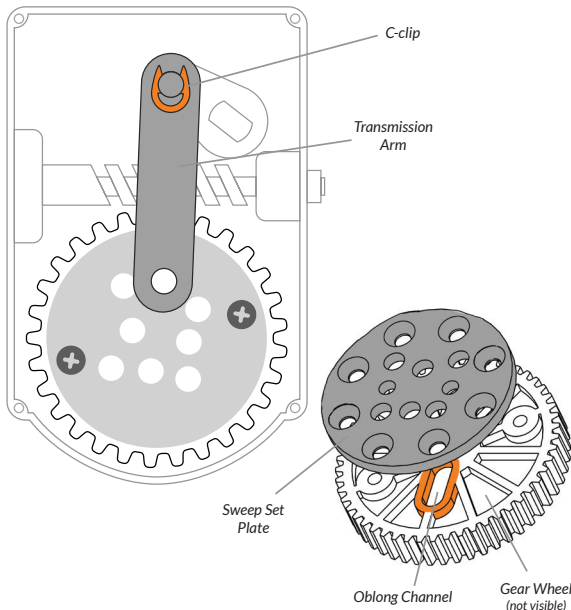


MRV Sweep Set Adjustment

1. Unscrew & Remove Shaft Plate / Remove Transmission Arm



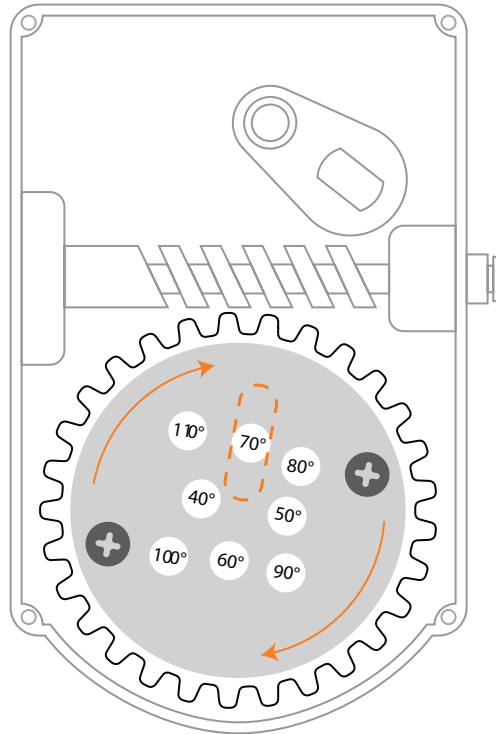
- a. Using a Phillips head screw driver, remove the four screws from the shaft plate and carefully remove the shaft plate and red gasket.



- b. Remove the C-clip from the end of the transmission arm using a flat blade screwdriver and lift off the **Transmission Arm** by pressing down lightly on the gear wheel to release.

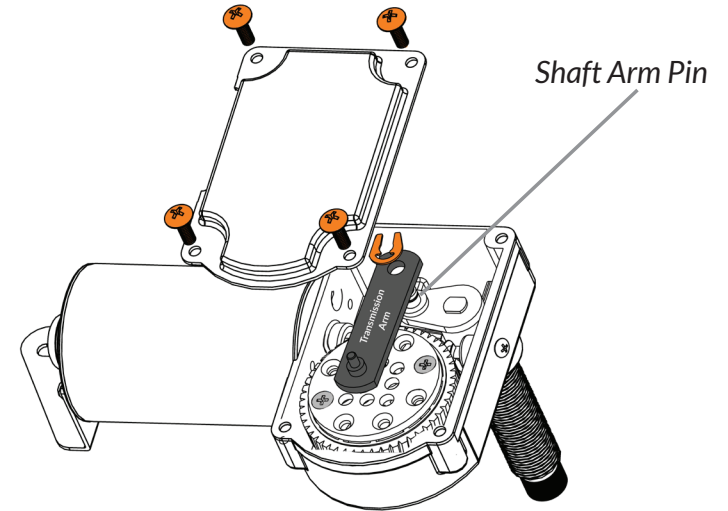
(Note the location of the **oblong channel** in the white gear wheel underneath the black sweep set plate where the pin in the transmission arm is located.)

2. Adjust Sweep Set



- a. Using a Phillips head screwdriver, remove two Phillips head screws holding the sweep set plate to the gear wheel
- b. Line up the new sweep set angle hole in the sweep set plate over the **oblong channel** in the gear wheel.
- c. Replace the screws in the sweep set plate.

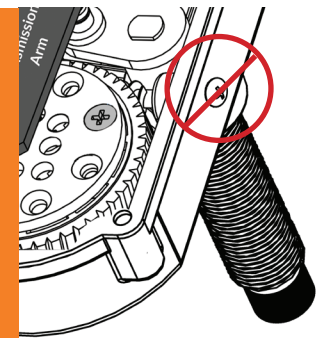
3. Replace Shaft Plate & Fasten



- a. Replace the **Transmission Arm**, placing the pin in the original oblong hole on one end (through the labeled sweep set hole), and onto the Shaft Arm Pin on the other.
- b. Reattach the **C-clip**. Put the shaft plate and gasket back on the motor and refasten the four **screws**.

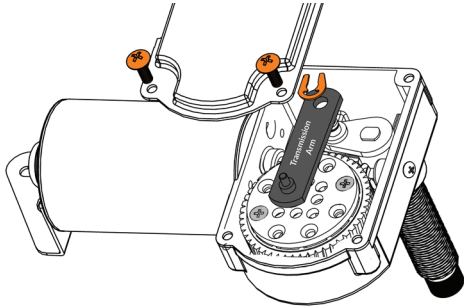
CAUTION

Do not adjust the set screw located on the outside of the gear housing, as this will cause motor failure and void the warranty.

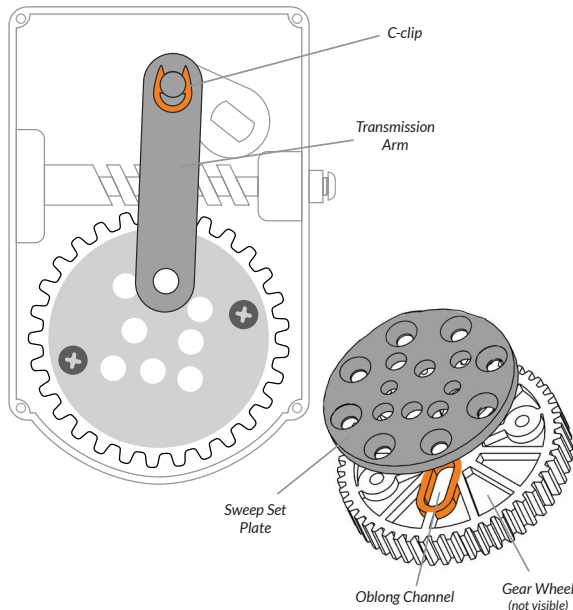


MRV Left/Right Self Parking Adjustment

1. Unscrew & Remove Shaft Plate / Remove Transmission arm



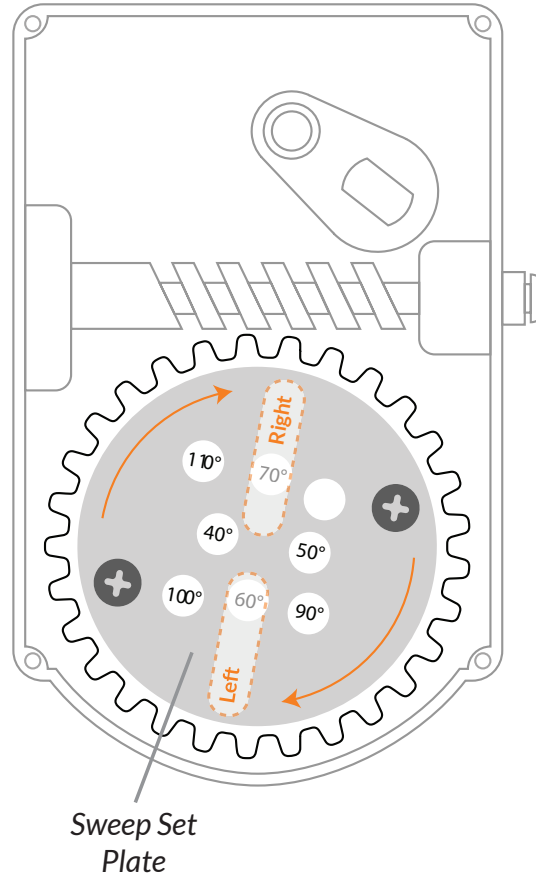
- a. Using a Phillips head screw driver, remove the four screws from the shaft plate and carefully remove the shaft plate and red gasket.



- b. Remove the C-clip from the end of the transmission arm using a flat blade screwdriver and lift off the **Transmission Arm** by pressing down lightly on the gear wheel to release.

(Note the location of the **oblong channel** in the white gear wheel underneath the black sweep set plate where the pin in the transmission arm is located.)

2. Adjust Sweep Set

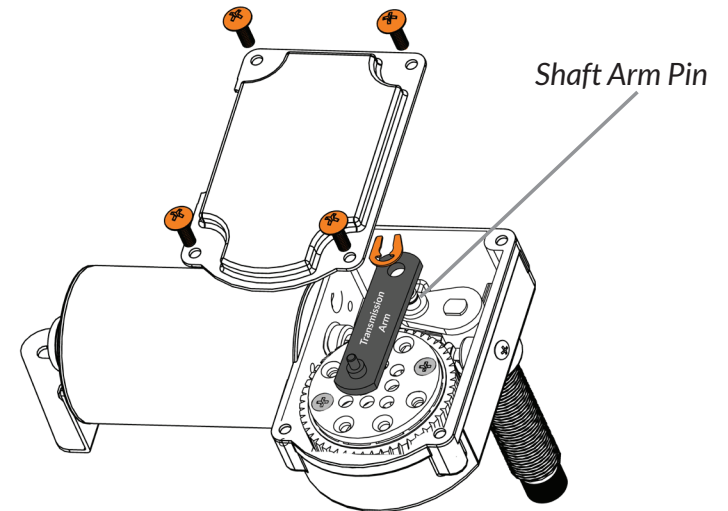


- a. Using a Phillips head screwdriver, remove the two screws holding the sweep set plate to the gear wheel and then rotate the Sweep Set Plate a full 180°, relocating the desired sweep set hole over the oblong slot on the opposite side of the wheel.

The park position is determined by facing the windshield from the outside of the boat and deciding if the motor should stop when it moves to park in the clockwise direction (right hand park) or when it moves to park in the counterclockwise direction (left hand park).

- b. Replace the screws in the sweep plate.

3. Replace Shaft Plate & Fasten



- a. Replace the **Transmission Arm**, placing the pin in the original oblong hole on one end (through the labeled sweep set hole), and onto the Shaft Arm Pin on the other.
- b. Reattach the C-clip. Put the shaft plate and gasket back on the motor and refasten the four **screws**.

CAUTION

Do not adjust the set screw located on the outside of the gear housing, as this will cause motor failure and void the warranty.

