

Sea-Dog 6-Switch Vertical Panel #424110-1 & 424116-1 Installation Instructions

- 12 Volt
- 10 Amps Maximum Per Circuit
- 37 Amps Maximum Per Panel
- 6 Illuminating Switches
- O.D.: 6-1/2" x 4-1/2"



1. Connect the positive terminal of the battery (12V only) to the red wire identified with a "+" tag.
2. Connect the negative terminal of the battery (or ground) to the black wire identified with a "-" tag.
3. Connect the positive wire of each individual circuit to the #2 spade on the corresponding rocker switch on the panel.
4. Connect the remaining wire or negative wire of each circuit to the common ground of the boat, if so equipped, or directly to the negative terminal of the battery or the negative wire of the panel.

NOTE: Do not attach any additional wires to the remaining terminal on the fuse holder.

5. Your Sea-Dog Line switch panel is supplied with 6 fuses: (2) 3 amp, (2) 5 amp, (1) 8 amp and (1) 10 amp.

(WARNING: Do not use fuse rated over 10 amps).

6. To remove the fuse holder cap, see Fig. 2 below.

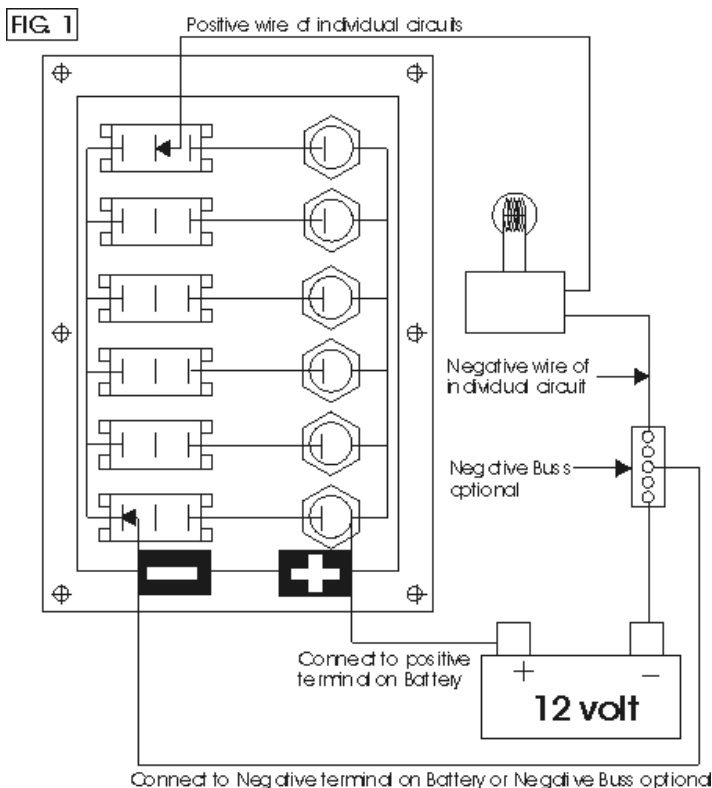


FIG. 2



- Insert a small screw driver in the slot. Push and turn 90 degrees to left to open the cap.
- Insert a small screw driver in the slot. Push and turn 90 degrees to right to close the cap.

Note: The fuse holder needs a fuse in it to keep the cap from dropping off.

