

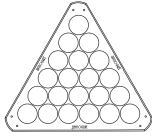


# BOAT HOOK SPINNER

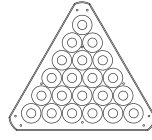
*Assembly Instructions*



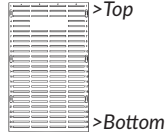
# CONTENTS



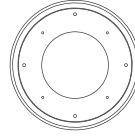
Spinner Top (1)



Spinner Base (1)



Panel (3)



Lazy Susan (1)



Self-Drilling  
Screws (16)

# TOOLS NEEDED



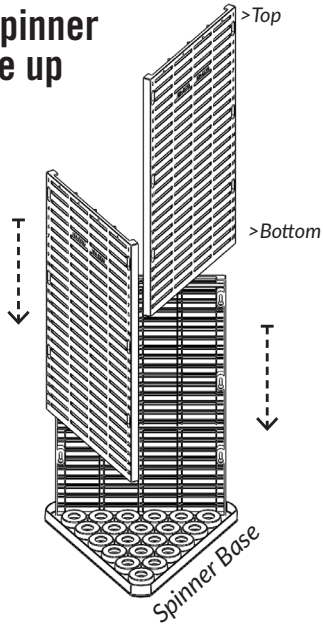
(Phillips Bit)

or



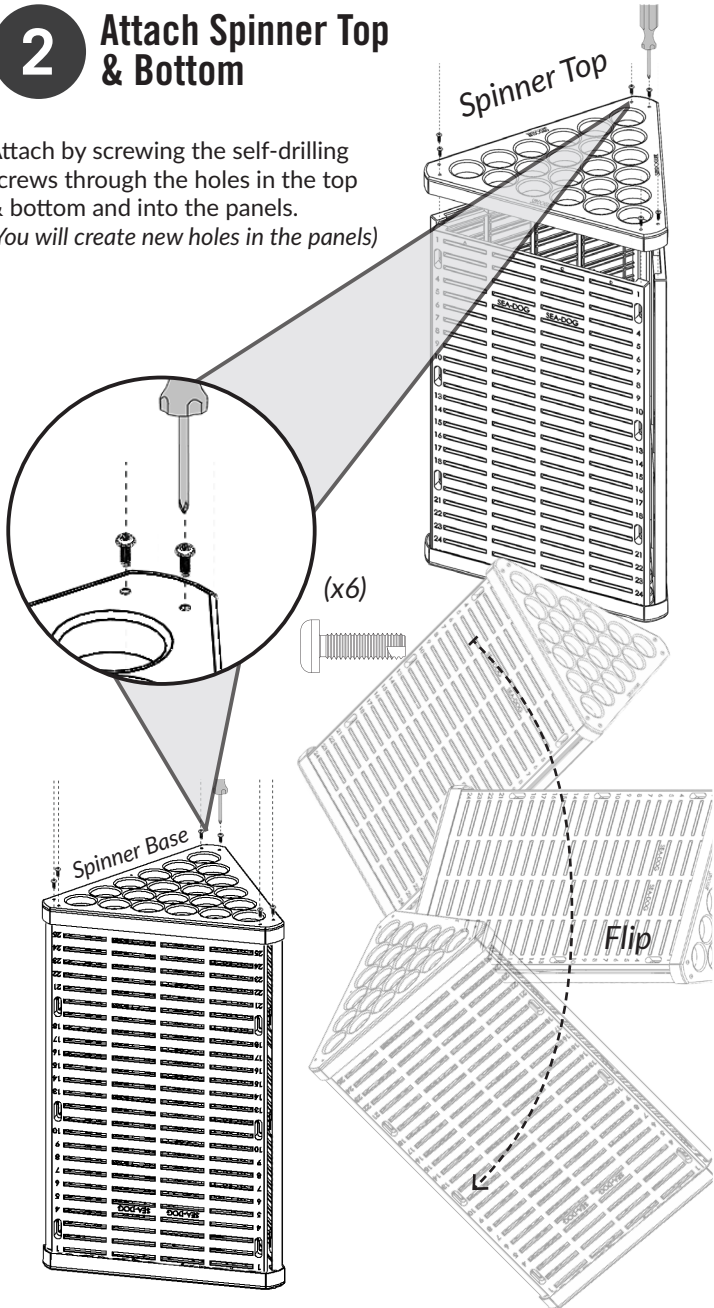
(Phillips)

# 1 Place panels in spinner base with top side up

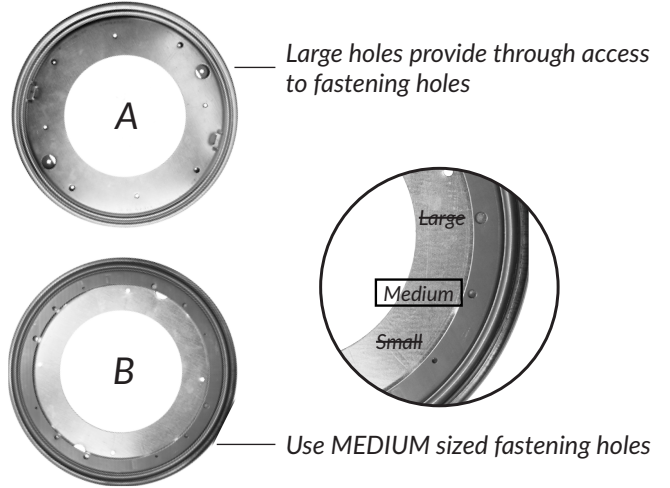


# 2 Attach Spinner Top & Bottom

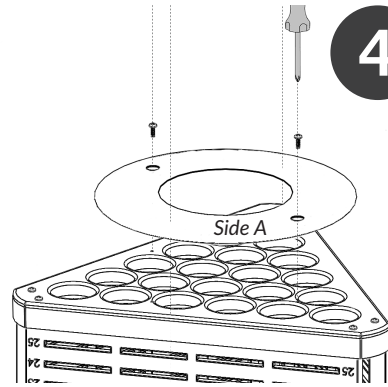
Attach by screwing the self-drilling screws through the holes in the top & bottom and into the panels.  
*(You will create new holes in the panels)*



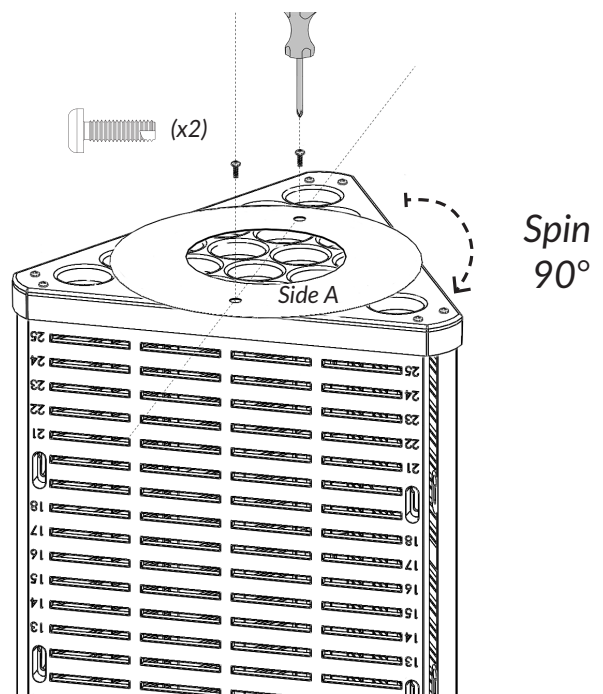
# 3 Align medium sized holes on Lazy Susan Side "B" to pre-drilled holes on Spinner Base



# 4 Fasten first two points with through holes



# 5 Rotate Side "A" 90° to access remaining attachment points.



# Boat Hook Spinner Reorder Sheet

Part Number	Size	Pre Loaded Qty.	Reorder Qty.
491012-1	48"	4	
491013-1	72"	3	
491021-1	24"-36"	4	
491024-1	48"-96"	6	
491034-1	36"-96"	4	
491036-1	56"-144"	4	

Learn more about anchors and docking we have.