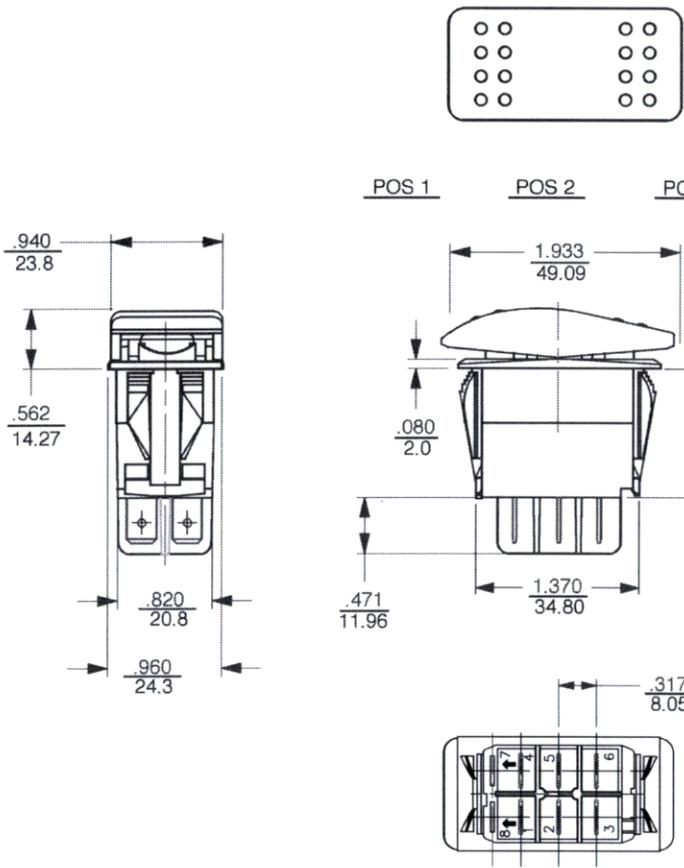
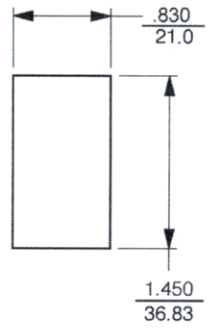


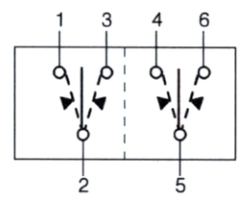
DO NOT SCALE DRAWING WORK TO FIGURE



DWG NO. VLDAS00B-AZC00-000
REV. 01



MOUNTING HOLE
PANEL THICKNESS (SNAP - IN BRACKET)
.030 MIN --- .187 MAX
.76 4.75



CIRCUIT

LET	REVISIONS	DATE
01	RELEASED	
RATING		
20A	12V	
SWITCH FUNCTION		
<u>POS 1</u>	<u>POS 2</u>	<u>POS 3</u>
(ON)	OFF	(ON)
2 TO 3		2 TO 1
5 TO 6		5 TO 4
NOTES:		
1. BRACKET AND ROCKER ARE BLACK NYLON		

DIMENSIONS SUBJECT TO CHANGE WITHOUT NOTICE		FINISH		TITLE	
PROPRIETARY NOTE: NOTICE TO ALL PERSONS RECEIVING THIS DRAWING, THIS DOCUMENT IS THE PROPERTY OF CARLINGSWITCH, INC. AND IS NOT TO BE DISCLOSED, REPRODUCED IN WHOLE OR IN PART OR USED FOR MANUFACTURING PURPOSES BY ANYONE WITHOUT THE CONSENT OF CARLINGSWITCH, INC.	UNSPECIFIED TOLERANCES		TOOL NO.	REV	"V" SERIES SWITCH SIZE B DWG NO. VLDAS00B-AZC00-000 REV. 01
	X.XXX ±.015		DR BY	DATE	
	PROJECTIONS	DIMENSIONS IN [mm]	CHK BY	DATE	
			APPD BY	DATE	
		USED ON		SCALE: FULL	SHT 1 OF 1