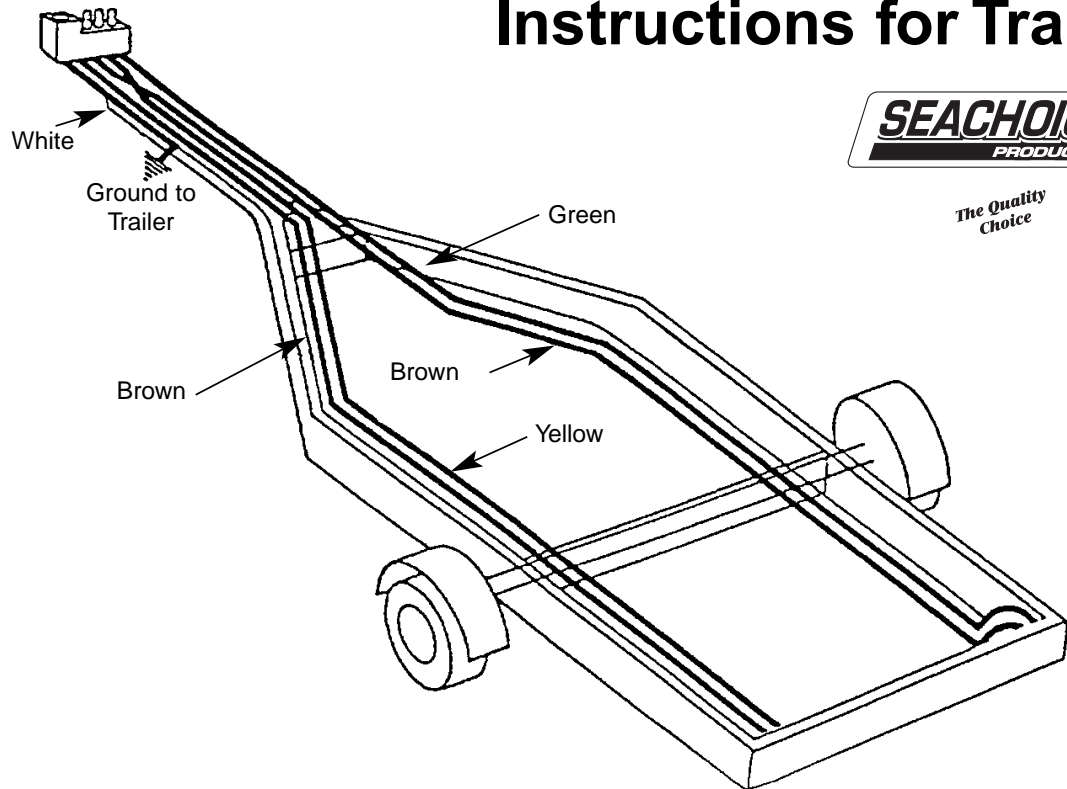


Instructions for Trailer “Y” Harness



The Quality Choice

Use the metal clips supplied in this kit to clip the wires to trailer frame rails. White wires **must** be connected to good metal grounds. Clean all paint, rust or corrosion from ground areas. Follow color codes for proper connections to trailer lights and towing vehicle lamps. Check all lamps for proper operations **before** towing on roads or highways.

COLOR CODE FOR WIRE	
White	Ground
Brown	Tail Lights, Side Marker Lights, Clearance and Identification Lamps
Yellow	Left Turn and Stop
Green	Right Turn and Stop