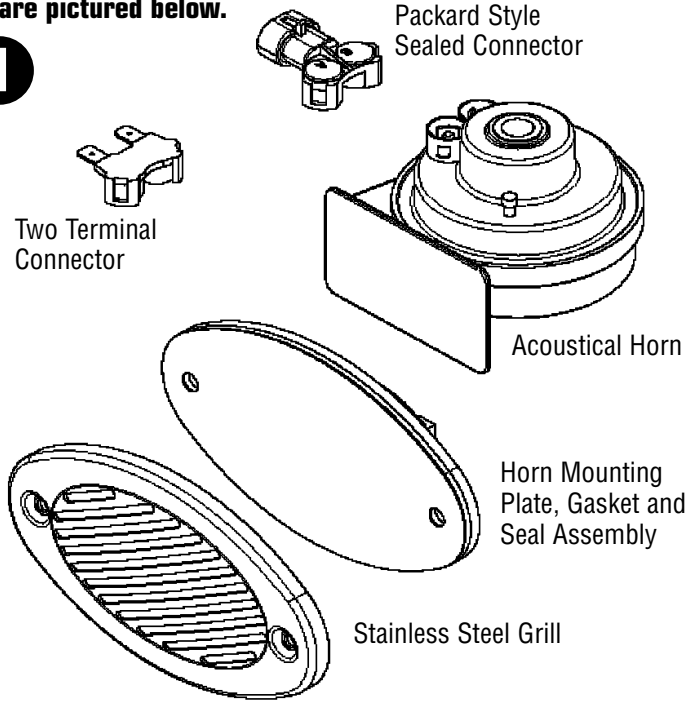




Instructions for part 14571 / Hidden Horn

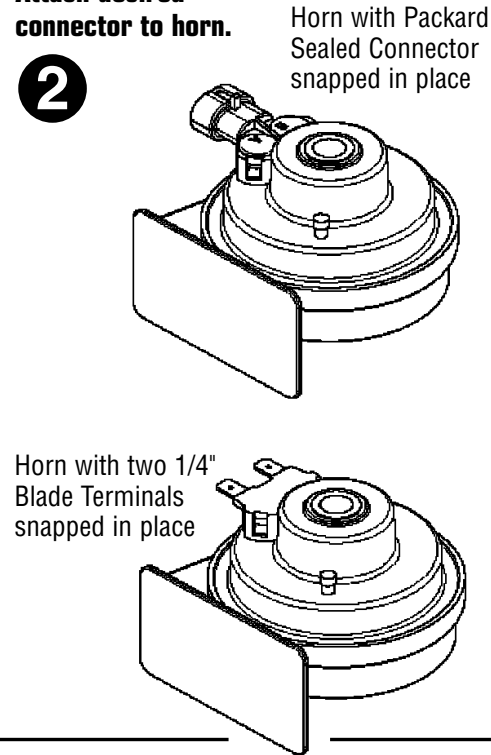
The components in the kit are pictured below.

1



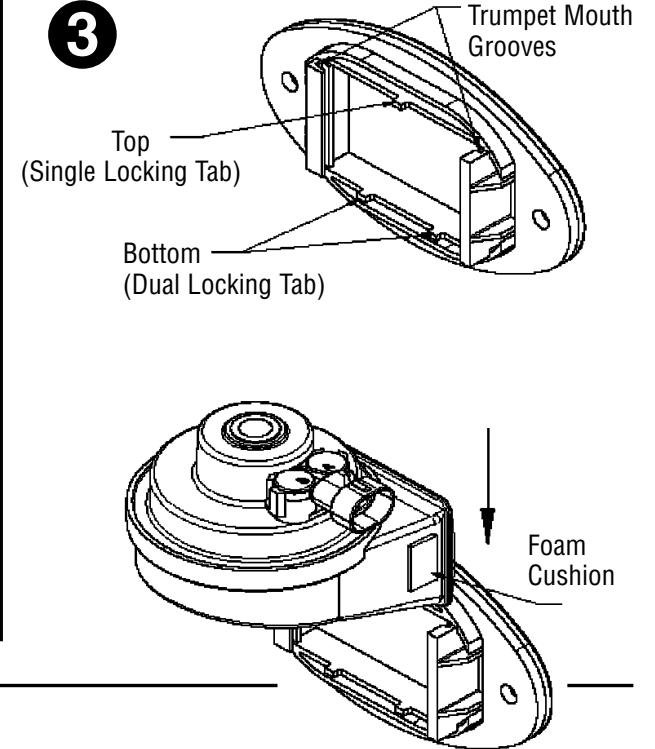
Attach desired connector to horn.

2



Slide the trumpet mouth into the grooves of the mounting plate. Avoid damaging the foam gasket.

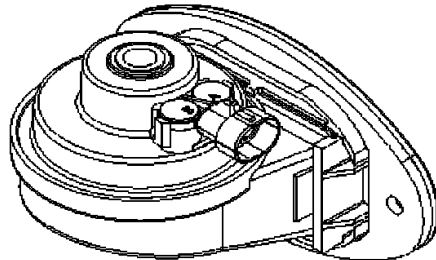
3



Horn locked into place between top and bottom locking tabs.

4

Horn lock into place between Single and Dual Locking Tabs



Looking for dependable boat parts & hardware?
Rely on Seachoice for quality and long-lasting products.