



The Quality
Choice

Universal Swim Platform

Models: 71181, 71191
71201, 71211
71351, 71361

SAVE THESE INSTRUCTIONS

HARDWARE INCLUDED

- 4 Ea. 1/4-20 x 2-1/4" Machine Bolt
- 15 Ea. 1/4-20 Washers
- 7 Ea. 1/4-20 Lock Nuts
- 4 Ea. White Nylon Spacers
- 2 Ea. 1/4-20 x 2-1/2" Machine Bolts
- 3 Ea. 1/4-20 x 1-1/4" Machine Bolts
- 1 Ea. 90° Bracket
- 5 Ea. #14 x 1-1/4" Lag Bolts
- 1 Ea. Angle Mount
- 2 Ea. 1/4-20 Large Flange Washers
- 2 Ea. Grab Rails

INSTALLATION INSTRUCTIONS

1. Attach stainless grab rails to platform with 2 ea. 1/4-20 x 2-1/4" bolts, washers and 1/4-20 lock nuts. For Outboard application use single grab rail with 1/4-20 x 2-1/4" bolt and angle mount with 1 ea. 1/4-20 x 1-1/4" bolt, washer and lock nut attached to the platform.
2. Position 90° bracket on platform and mark holes and drill with 1/4" drill bit. Install bracket to platform with 2 ea. 1/4-20 x 1-1/4" bolts, washers and lock nuts. (Outboard application only)
3. Position platform on boat and mark upper rail hole(s) and drill with 1/4" drill bit.
4. Mount top of rail(s) with 1/4-20 x 2-1/2" bolt, large flange washer and lock nut.
5. Position 90° bracket to boat and drill 3/16" pilot, install 3 ea. #14 x 1-1/4" lag bolts. (Outboard Only)
6. Drill 3/16" pilot hole in boat for lower grab rail (or angle) mount and attach with #14 x 1-1/4" lag bolts.

NOTE: All holes should be sealed with waterproof sealer.

Figure 1 Inboard/Outboard

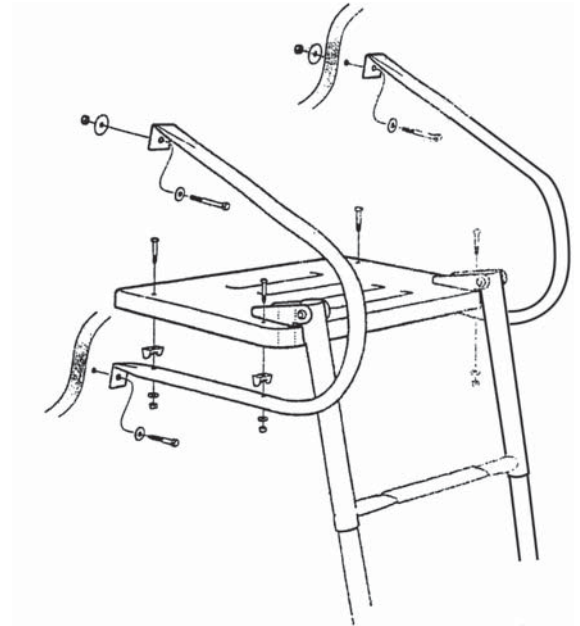
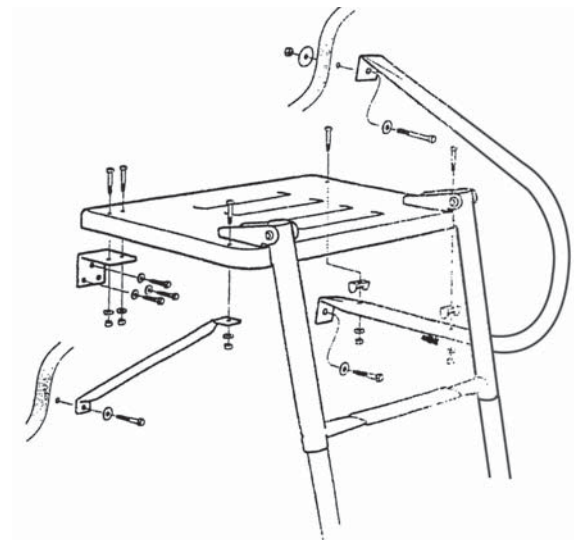


Figure 2 Outboard Application



NOTE: In Figure 2, installation shown is for Starboard assembly application, reverse grab rail angle mount and 90° bracket for Port side.