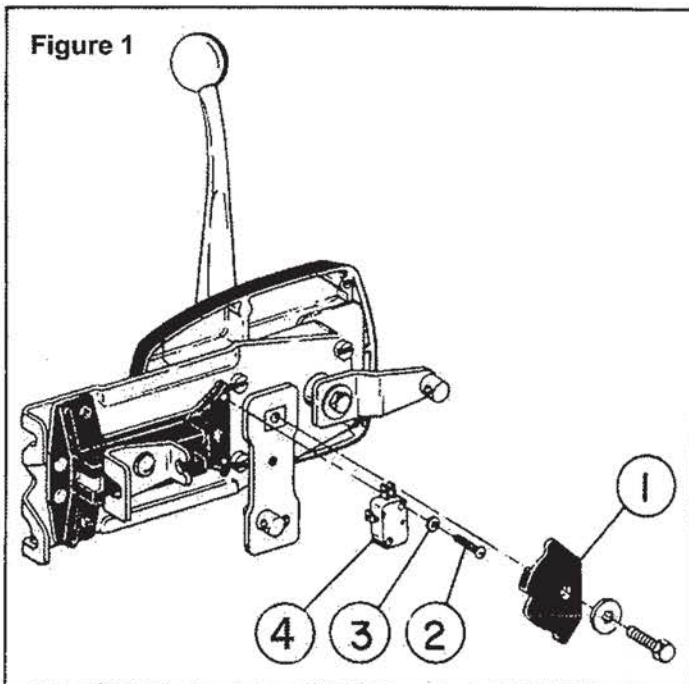
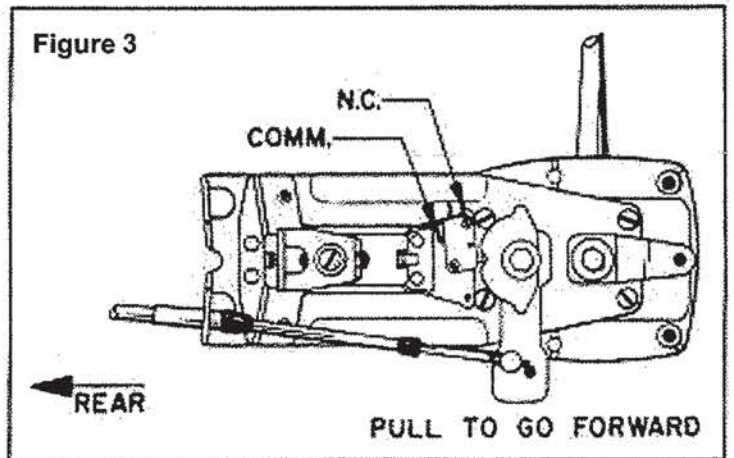
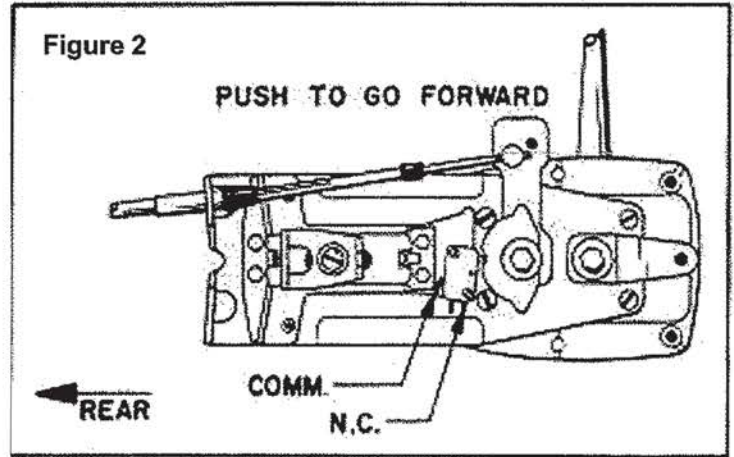




INSTALLER: THESE INSTRUCTIONS CONTAIN IMPORTANT SAFETY INFORMATION AND MUST BE FORWARDED TO THE BOAT OWNER.

## Part Number 300928 Neutral Safety Switch Kit for MV Controls

1. Assemble switch (4) to control using screws (2), lockwashers (3) as shown in Fig. 1. Pay special attention which way shift arm is assembled to that switch is mounted correctly and will not conflict with shift arm when control is operated. See Fig. 2 and 3.
2. Attach cam (1) to shift arm using retaining screw and lockwasher provided with control.
3. Terminals (5) are provided to connect switch electrically. Wire switch into circuit between the starter solenoid and starter key switch. Connect to the common and normally closed terminals of switch on control.



Item	Description	No. Req'd.
1	Cam	1
2	Screw, Rd. Hd. Slot #4-40 x 5/8" lg.	2
3	Lockwasher, Int. Tooth #4	2
4	Switch	1
5	Terminal (Not Shown)	2