

i6800 ELECTRONIC CONTROL SYSTEM

APPLICATIONS

- Suitable for all engines with mechanical shift and mechanical throttle
- Single or twin engine applications
- Inboards, IO's and Outboards
- Supports up to three stations

FEATURES

- Mechanical override "get home" feature
- Trolling mode
- Add a station kits available - total of 3 stations
- Meets: ABYC P-24, CE, EN 60945
- Neutral warm-up
- Dual engine RPM synchronization for single handle operation
- Incorporates neutral start protection
- Adjustable control lever drag and detent settings
- Works on 12v systems
- Programmable shift delay
- Comes with 30' of harness to connect actuators to control head



The i6800 system delivers precise control of a boat's shift and throttle functions. The actuators link to the control head through a single CANbus harness - for easy routing and fast installation. Adding multiple control stations is easy by adding a single harness. All i6800 system kits come with all components needed for an installation, including power harness, and 30 feet of network harness. The i6800 electronic control system delivers an improved level of throttle control that makes it easier to handle your boat.

ORDER INFORMATION

PART No.	COMPLETE SYSTEMS	ADDITIONAL STATIONS PART No.
i6811	Single Engine	i6811A
i6851	Single Engine w/Trim	i6851A
i6812	Dual Engine	i6812A
i6852	Dual Engine w/Trim	i6852A
HA5491	Tilt/Trim Switch (Independent)	-

Information Required to Specify a System

- Number of Engines (1 or 2)
- Number of Stations
- Independent trim switch required (yes or no)
- Length of Control Cables

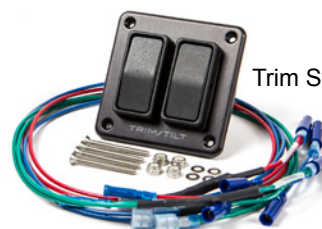
NOTES:

*Control cables ordered separately.
Requires EST Display setup tool for configuration (EPSK1207).*

Shift and Throttle Actuator



Trim Switch



i6800 ELECTRONIC CONTROL SYSTEM

i6800 SYSTEMS MATRIX

BASE SYSTEMS - SINGLE STATION KITS	COMPONENT PART No.	i6811	i6851	i6812	i6852
		SINGLE ENG.	SINGLE ENG. W/TRIM	DUAL ENG.	DUAL ENG. W/TRIM
ACTUATORS					
Actuator, i6800 universal	AC6850	2	2	4	4
CONTROL HEAD KITS					
Single Top Mount, Control Head kit	CH6810NT	1	-	-	-
Single Top Mount, Control Head kit, with Trim	CH6810	-	1	-	-
Dual Top Mount Control Head kit	CH6800NT	-	-	1	-
Dual Top Mount Control Head kit, with Trim	CH6800	-	-	-	1
OPTIONAL ACCESSORIES					
Dual trim switch panel for independent operation	HA5491	-	-	-	-
HARNESSES/TEES					
Power Harness (25ft)	CE20425	1	1	2	2
NMEA Comm kit (2 tees, 1 male and 1 female terminator)	CM20001	1	1	1	1
Single CanBus Tee	CM10060	1	1	3	3
Micro C Ext, M-F (6ft CanBus harness)	CM10006	1	1	1	1
Micro C Ext, M-F (12ft CanBus harness)	CM10012	1	1	1	1
Micro C Ext, M-F (20ft CanBus harness)	CM10020	1	1	1	1
MANUALS					
Book #70 i6800 user manual (stand alone)	710090	1	1	1	1
Book #68 i6800 installation manual	710100	1	1	1	1
Quick ref - Single	710092	1	1	-	-
Quick ref - Dual	710091	-	-	1	1

i6800 ELECTRONIC CONTROL SYSTEM

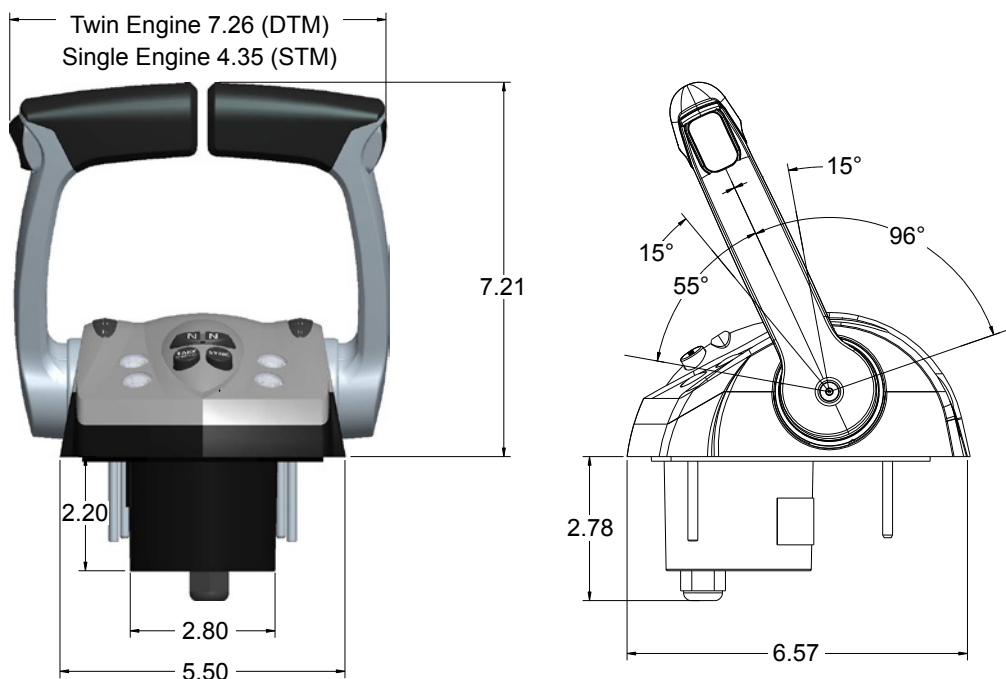
ADDITIONAL STATIONS SYSTEMS MATRIX

ADDITIONAL STATIONS	COMPONENT PART No.	i6811A	i6851A	i6812A	i6852A
		SINGLE ENG.	SINGLE ENG. W/TRIM	DUAL ENG.	DUAL ENG. W/TRIM
CONTROL HEAD KITS					
Single Top Mount, Control Head kit	CH6810NT	1	-	-	-
Single Top Mount, Control Head kit, with Trim	CH6810	-	1	-	-
Dual Top Mount Control Head kit	CH6800NT	-	-	1	-
Dual Top Mount Control Head kit, with Trim	CH6800	-	-	-	1
HARNESSES/TEES					
Single Tee	CM10060	1	1	1	1
Micro C Ext, M-F (30ft CanBus harness)	CM10030	1	1	1	1
MANUALS					
i6800 add a station	710093	1	1	1	1

FEATURES

- Utilizes standard CCX633xx type control cables - Xtreme type recommended
- Optional independent trim switches (HA5491)

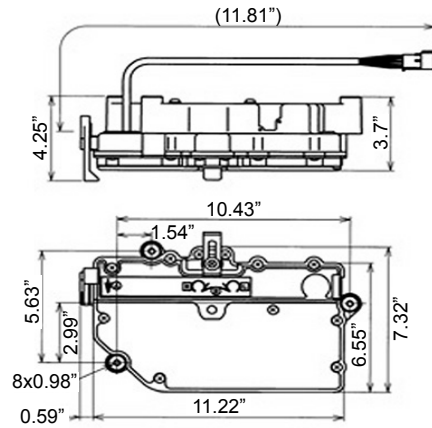
TECHNICAL DATA



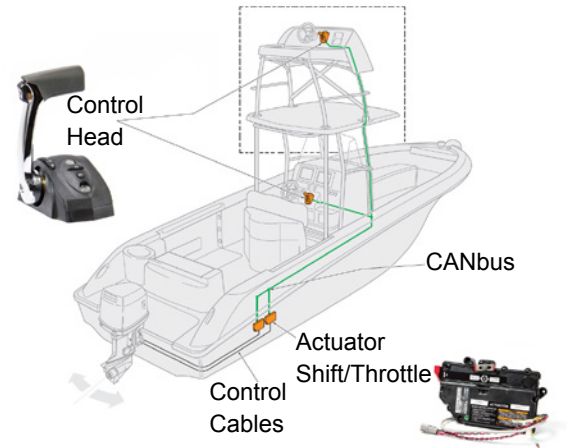
i6800 ELECTRONIC CONTROL SYSTEM

TECHNICAL DATA

Shift and Throttle Actuator



Single Engine System Schematic



Dual Engine System Schematic

