

APPLICATIONS

Seastar Pro is for high-performance boats with single non-power-assisted outboards up to 350 HP, especially those capable of speeds over 65 MPH, which demand maximum steering control and comfort. It is suitable for use with high-performance propellers and jack plates.

FEATURES

- Patented steering lock valves.
- Low friction hydraulic steering system.
- 4.25 turns from lock-to-lock.
- Compact helm has only a 4-7/16" footprint – needs only 3" dash hole (tilt requires larger hole).
- Optional SeaStar Pro cylinders with longer shaft bushings and even larger pivot bushings for an even more 'solid feel'.
- Factory swaged hoses are Kevlar® reinforced.
- Packaged complete with helm, cylinder, fittings, oil, bleeder kit and detailed instructions.
- Standard 3/4" tapered steering shaft.



SeaStar PRO Outboard Steering systems are suited for all those critical high speed, single powered outboard boats, like Bass, Flats, combo Race/Ski and other performance orientated boats capable of speeds in excess of 65mph. Before ordering it is necessary to determine the proper cylinder and helm pump for your application. See application guide below. All SeaStar PRO systems require the use of a SeaStar PRO helm and SeaStar PRO (1500psi) reinforced Kevlar hoses with All SeaStar PRO systems.

APPLICATION GUIDE

MFG	YEAR	MODEL	CYLINDER	NOTES
Honda	1996-Date	150-300hp	HC6345-3	Not available for BF series engines.
Johnson / Evinrude	1977-1990	150-300hp	N/A	
	2002-Date	150-250hp 4-Stroke	HC6345-3	
	2003-Date	150-300hp Etech	HC6345-3	
	2005-Date	E250hp Vindicator	N/A	
Mercury	1989-Date	150-300hp 2-Stroke, 4-Stroke and XS Engines	HC6345-3	
Suzuki	1986-Date	150-300hp 2 and 4-Stroke	HC6345-3	Includes ALL models.
Yamaha	1986-Date	150-350hp 2 and 4-Stroke	HC6345-3	

WARNING:

SeaStar PRO Steering Helms can not be used with an unbalanced steering cylinder.

Issue Date - May 2017

Issue Number - hos7



SEASTAR PRO OUTBOARD

FEATURES

- Fast, easy installation.
- Meets A.B.Y.C standards.
- Meets N.M.M.A. certification requirements.
- SeaStar Pro is suitable for use with jack plates and performance props.

NOTICE:

HC6345-3 PRO cylinder installations are 'identical' to the HC5345-3 cylinders. Mercury XS engines 'require' use of HC6345-3 PRO cylinders.

ORDER INFORMATION

SeaStar Solutions offers SeaStar PRO as complete systems. Every kit ships with the HC6345-3 PRO Steering cylinder, HH5770-3 PRO helm pump, two bottles of SeaStar Steering fluid and two equal lengths of SeaStar PRO, Kevlar steering hoses.

DESCRIPTION	PART No.
COMPLETE SYSTEMS	
SeaStar PRO Hydraulic Steering Kit without hoses	HK7500A-3
16' – SeaStar PRO cylinder, helm pump and 2x 16' Kevlar hoses + fluid	HK7516A-3
18' – SeaStar PRO cylinder, helm pump and 2x 18' Kevlar hoses + fluid	HK7518A-3
20' – SeaStar PRO cylinder, helm pump and 2x 20' Kevlar hoses + fluid	HK7520A-3
22' – SeaStar PRO cylinder, helm pump and 2x 22' Kevlar hoses + fluid	HK7522A-3
24' – SeaStar PRO cylinder, helm pump and 2x 24' hoses + fluid	HK7524A-3
SERVICE ITEMS	
SeaStar 2.0cu" Pro Helm	HH5770-3
SeaStar 2.0cu" Sport Tilt Pro Helm	HH6190-3
SeaStar 2.0cu" Trad Tilt Pro Helm	HH6574-3
SeaStar Pro Hoses Kit	HO57XX
SeaStar Pro Hose Kit with bulkhead fittings	HO82XX
Dashboard recess Kit	HA5478
Backplate Kit	HA5418
Front mount Pro Outboard Cylinder	HC6345-3
Front mount Pro Outboard Cylinder	HC6358-3
SeaStar Oil (1 QT)	HA5430
SeaStar Oil (1 Gallon)	HA5440

HELM PUMPS

SeaStar PRO Steering systems have the option to install a standard front mounting helm, both classic and sport tilt as well as rear mount helm pumps.

CAUTION:

SeaStar Solutions recommends the use of SeaStar PRO (1500 psi) Kevlar steering hoses with SeaStar PRO Helms.

Issue Date - May 2017

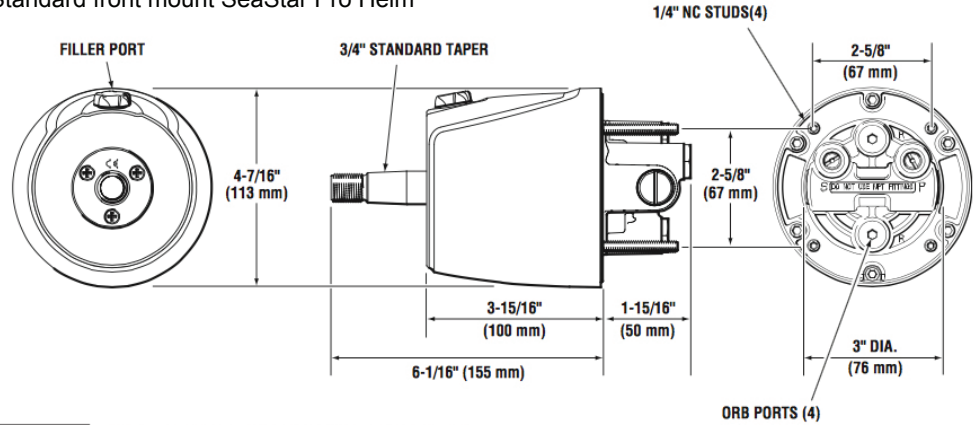
Issue Number - hos7



TECHNICAL DATA

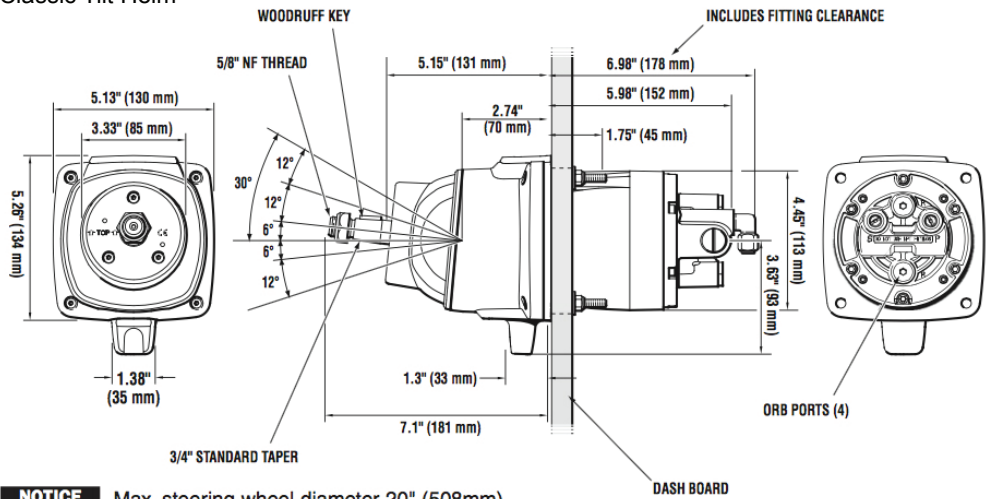
Helm Dimensions

Standard front mount SeaStar Pro Helm



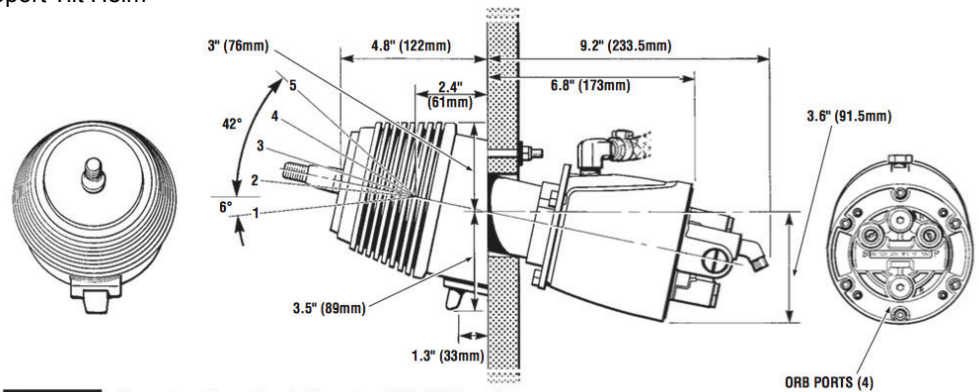
NOTICE Max. steering wheel diameter 28" (711mm).

Classic Tilt Helm



NOTICE Max. steering wheel diameter 20" (508mm)

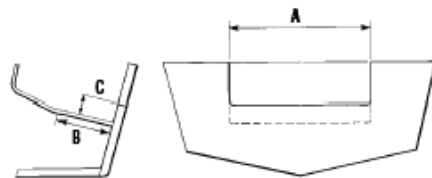
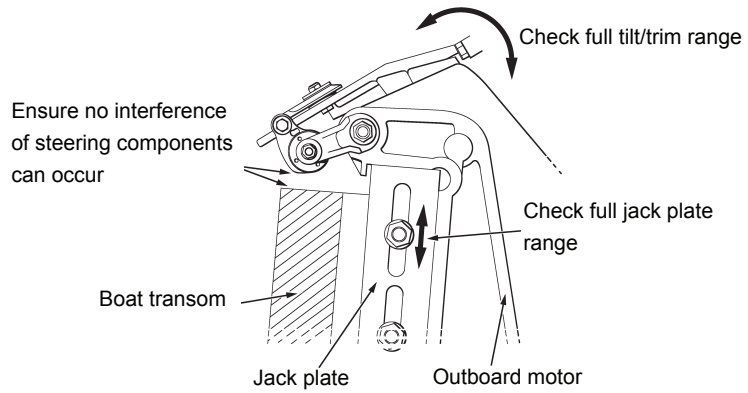
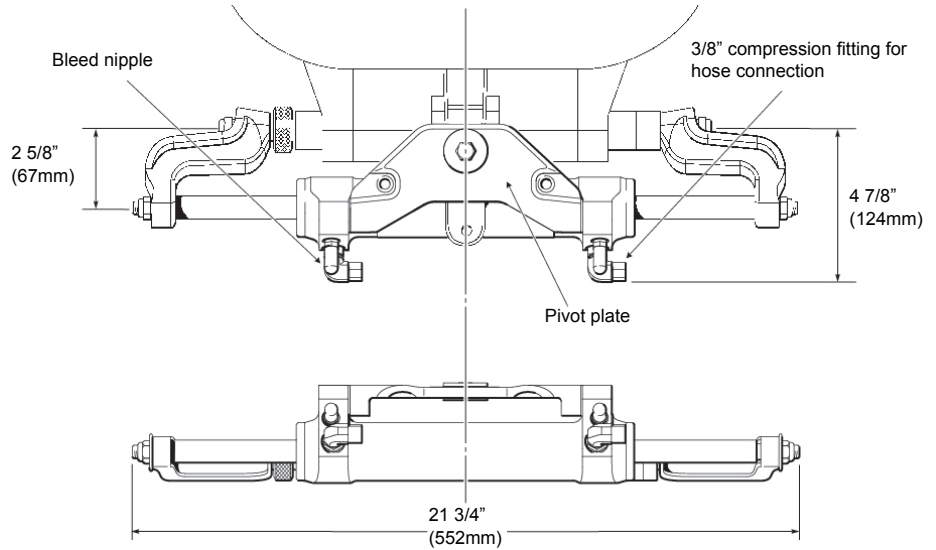
Sport Tilt Helm



NOTICE Max. steering wheel diameter 20" (508mm)

TECHNICAL DATA

Cylinder Dimensions



Motor Well dimensions required for front mount outboard steering systems.

NO. ENGINES	1A	B	C	MINIMUM ENGINE CENTER DISTANCE
1	22" (559mm)	6" (152mm)	5" (127mm)	N/A
2	49" (1244mm)	6" (152mm)	5" (127mm)	26" (660mm)