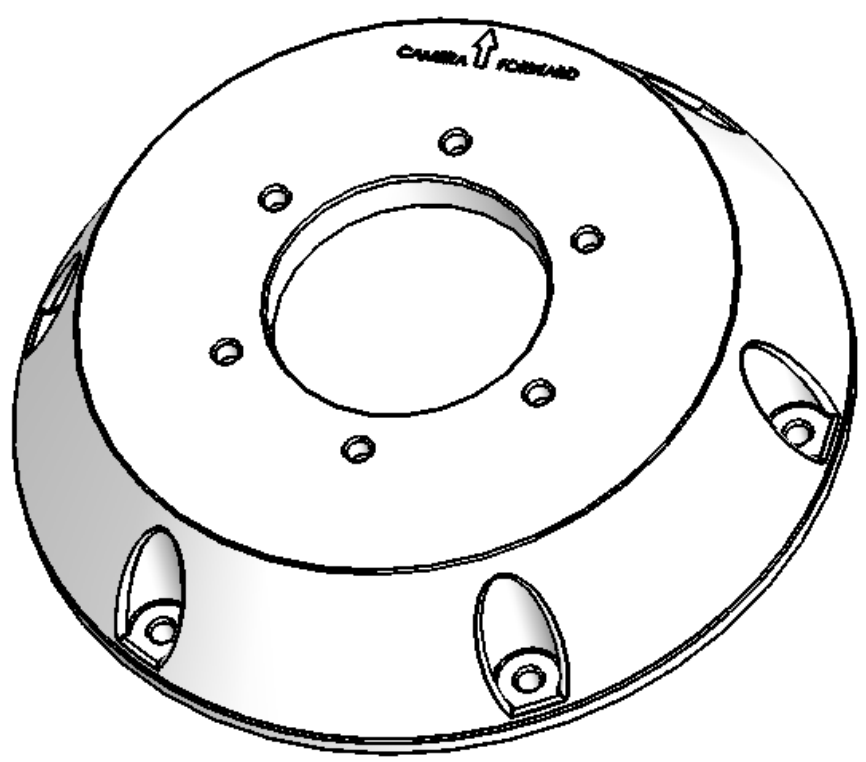
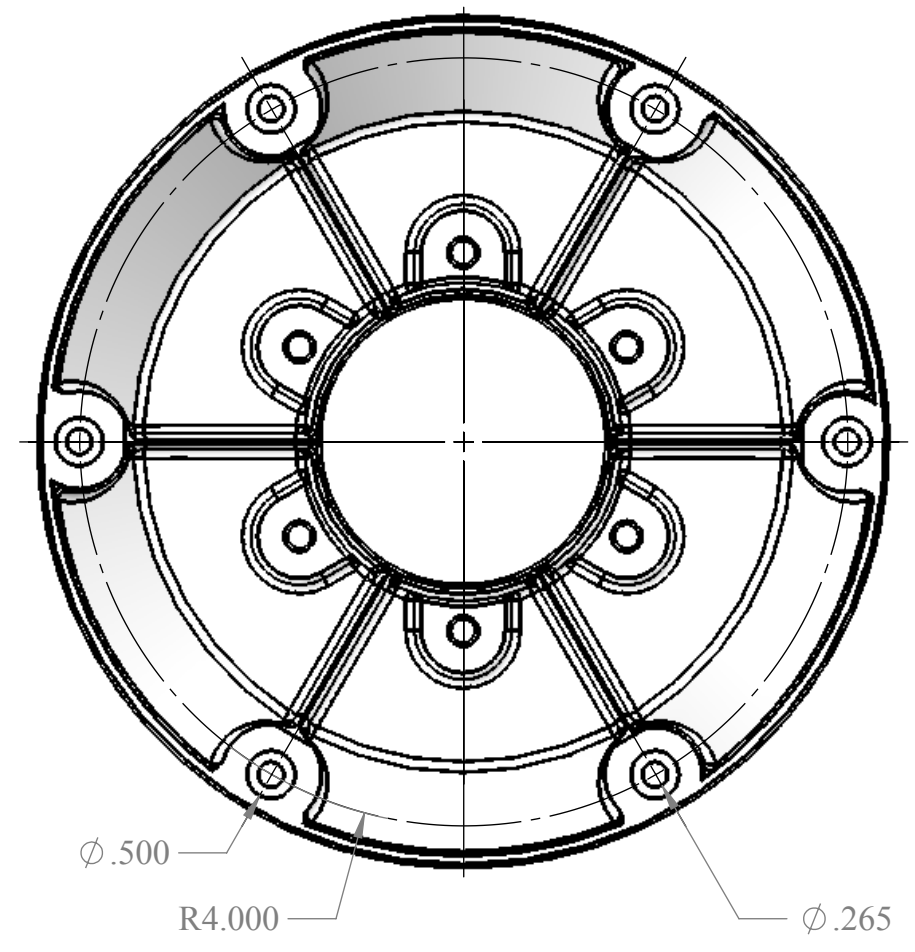
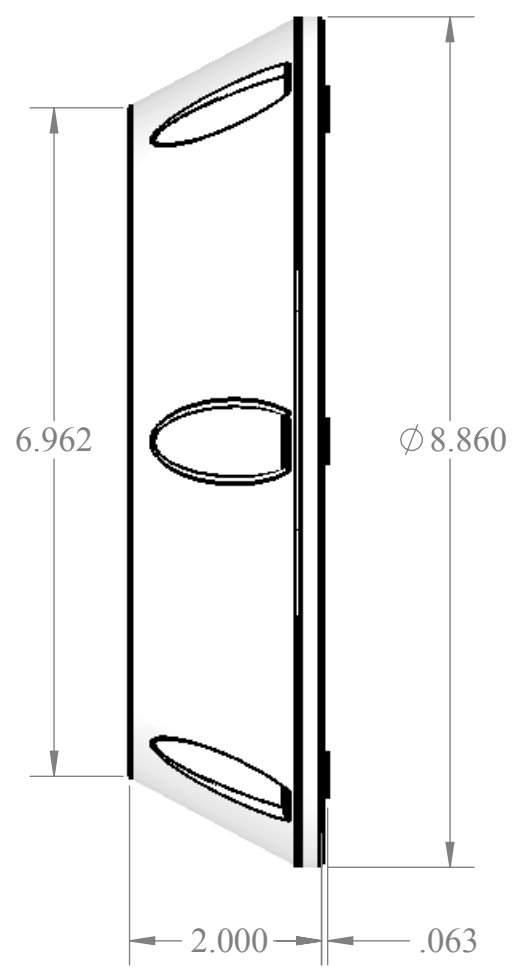
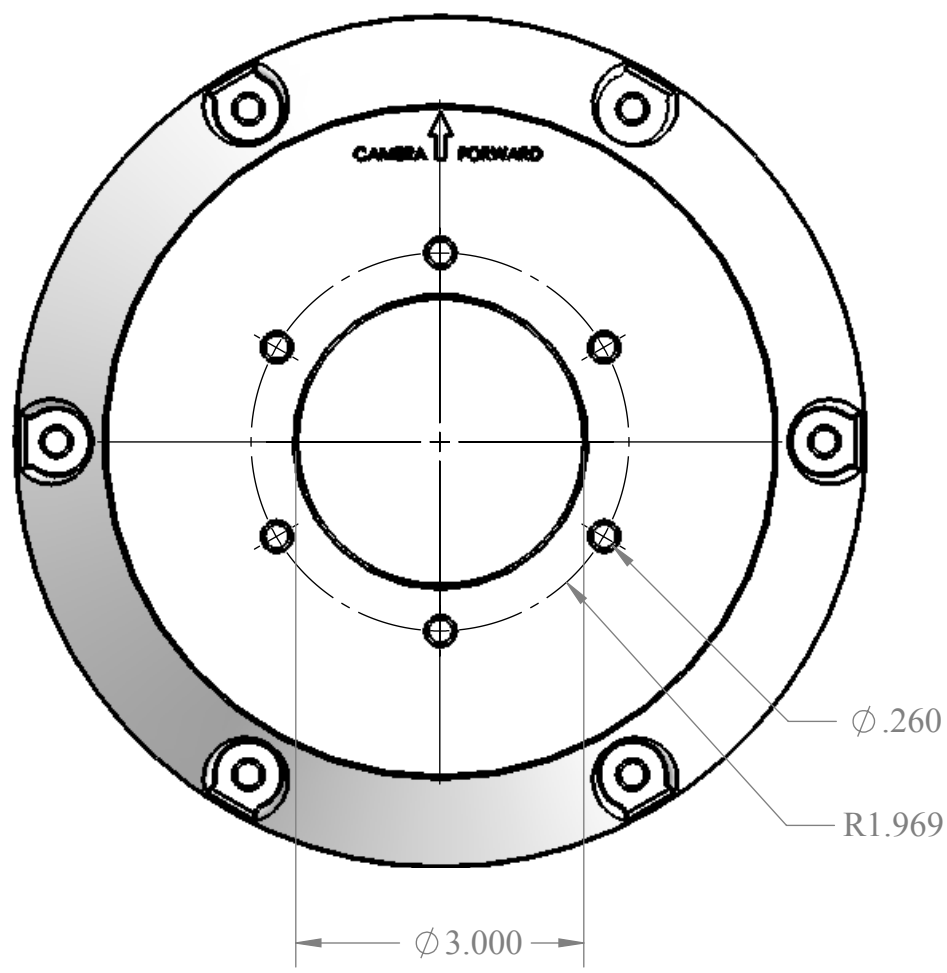


8 7 6 5 4 3 2 1

D
C
B
A



View other Marine Electronics & Navigation made by Seaview Marine Electronics Mounts on our website.

PROPRIETARY AND CONFIDENTIAL
 THE INFORMATION CONTAINED IN THIS DRAWING IS THE SOLE PROPERTY OF PYL. ANY REPRODUCTION IN PART OR AS A WHOLE WITHOUT THE WRITTEN PERMISSION OF PYL IS PROHIBITED.

		UNLESS OTHERWISE SPECIFIED:		NAME	DATE	TITLE: FTDR-2-1
		DIMENSIONS ARE IN INCHES		DRAWN	J.BLACK 3-5-2015	
		TOLERANCES:		CHECKED		
		FRACTIONAL ±		ENG APPR.		
		ANGULAR: MACH ± BEND ±		MFG APPR.		
		TWO PLACE DECIMAL ±.01		Q.A.		SIZE DWG. NO. REV B 1
		THREE PLACE DECIMAL ±.003		COMMENTS:		
		INTERPRET GEOMETRIC TOLERANCING PER:				SCALE: 1:2 WEIGHT: SHEET 1 OF 1
		MATERIAL				
NEXT ASSY	USED ON	FINISH				
APPLICATION		DO NOT SCALE DRAWING				

8 7 6 5 4 3 2 1