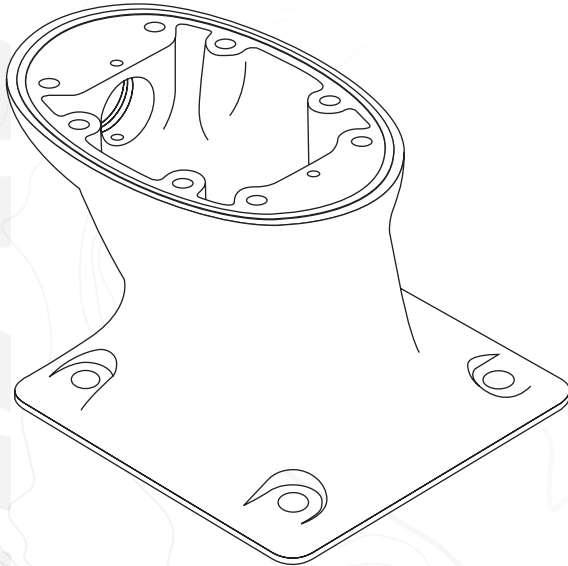


SEAVIEW///

ELEVATE YOUR ELECTRONICS

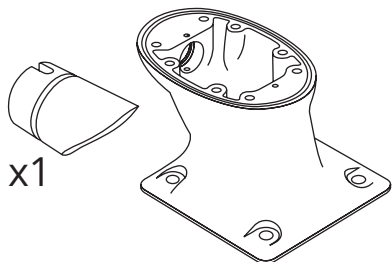


INSTALLATION INSTRUCTIONS

For Seaview Modular Mount:

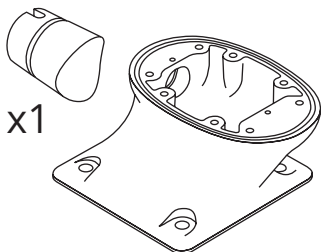
PMA-57-M1, PMF-57-M1

PARTS INCLUDED



x1

PMA-57-M1



x1

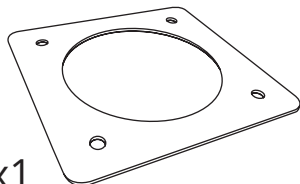
PMF-57-M1



x4



x1



x1



x1



x1

TOOLS NEEDED



x4



x4

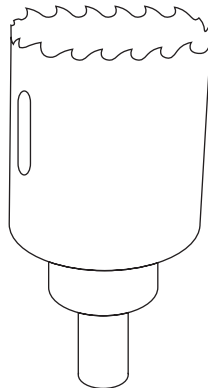


x4

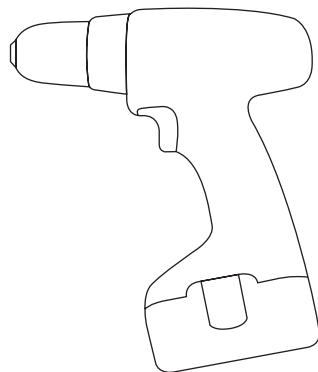
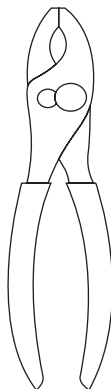
3/8 inch = 9.5mm



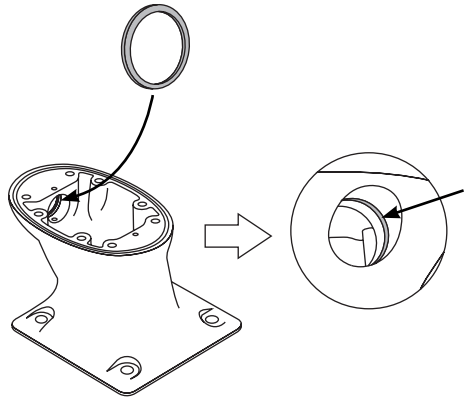
3/8 inch = 9.5mm



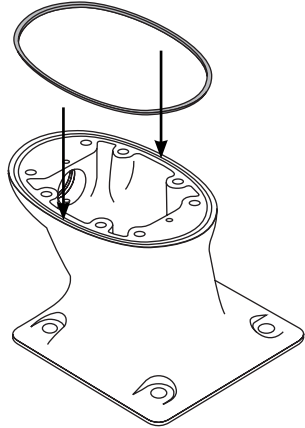
1.5 inch = 38mm



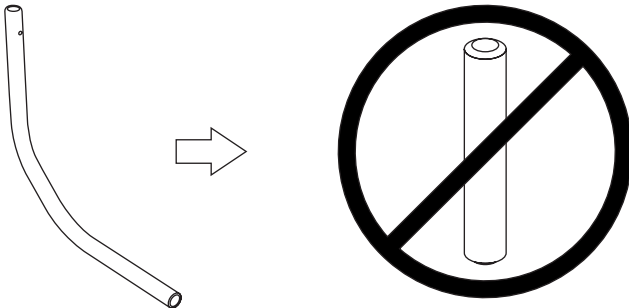
1 Insert the rubber grommet into the groove located in the light bar hole at the back of the mount.



2 Place rubber gasket in the groove on the top of the mount.

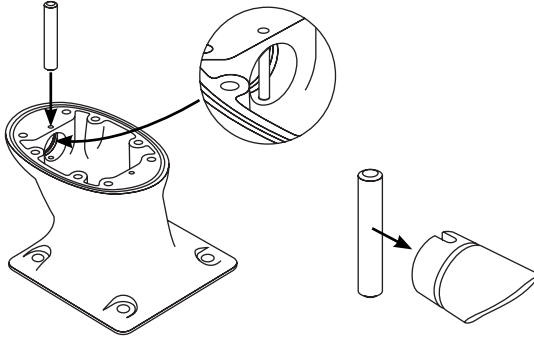


3A If you are using a light bar, do not use the provided pin.



3B

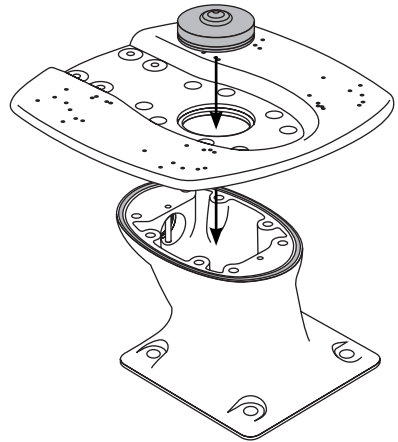
If you are not using a light bar insert the pin. Then insert the white plastic plug into the light bar hole. It should snap onto the pin.



4

Insert the rubber radar cable grommet into the center of the Seaview Top Plate (sold separately). Make sure that the lip in the center of the Top Plate hole sits in the groove of the rubber grommet.

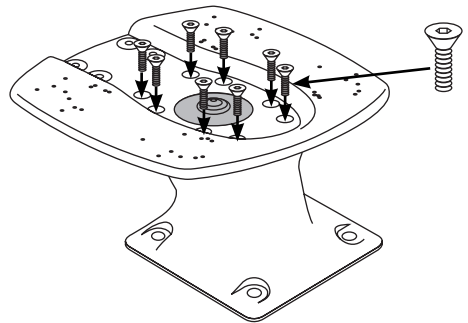
Then place the Top Plate on top of the mount, making sure that eight center bolt holes line up.



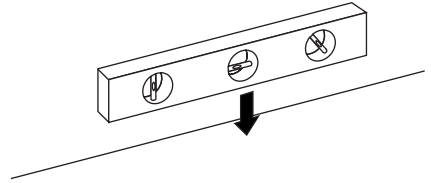
5

Using the eight 5/16 - 18x1" bolts from the Seaview Top Plate kit, bolt down the Top Plate.

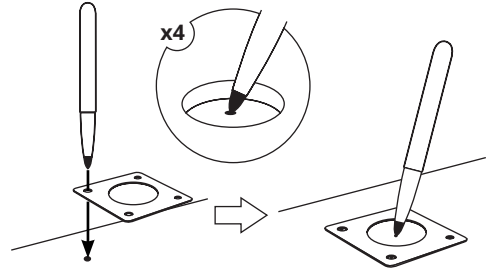
Refer to the provided Seaview Top Plate installation instructions for more information.



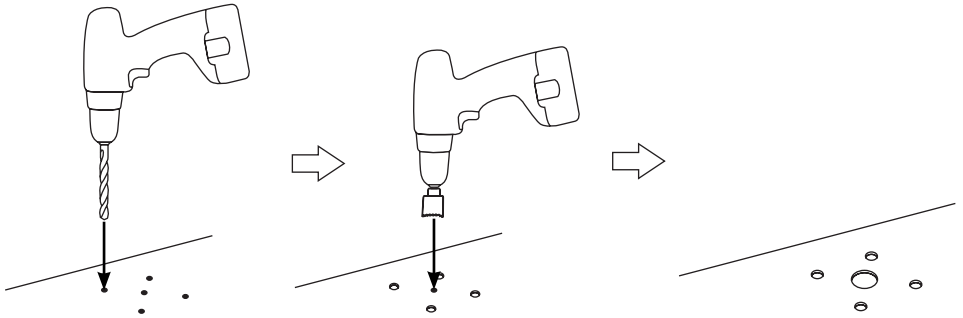
6 Using a straight edge make sure that the mounting surface is flat.



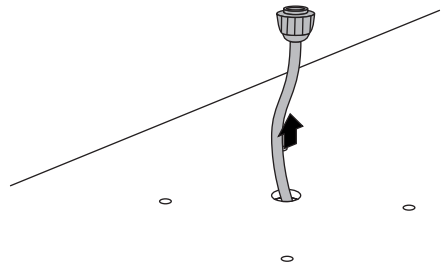
7 Mark the four bolt holes and center radar cable hole using the foam gasket as a template.



8 Using a 3/8" drill bit, drill the four bolt holes.
Use a 1 1/2" hole saw to cut a whole for the radar cable.

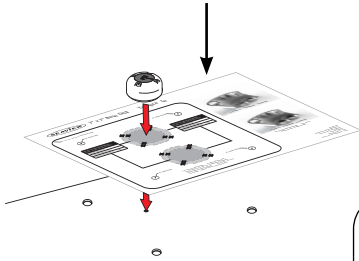
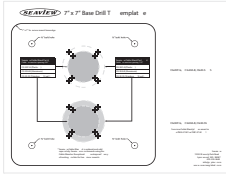


9 Route the radar cable through the 1 1/2" hole you just cut.

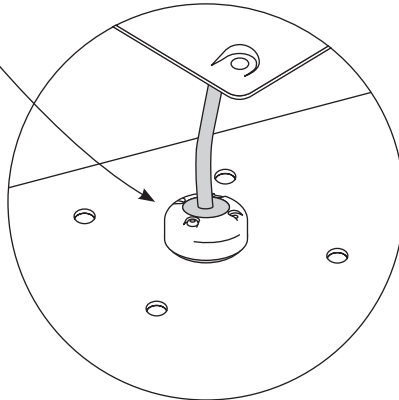
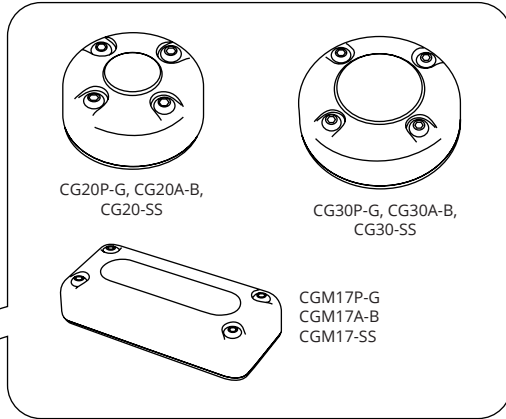


OPTIONAL

For increased water security you can use a Seaview Cable Gland (sold separately) to route your marine electronic cables.

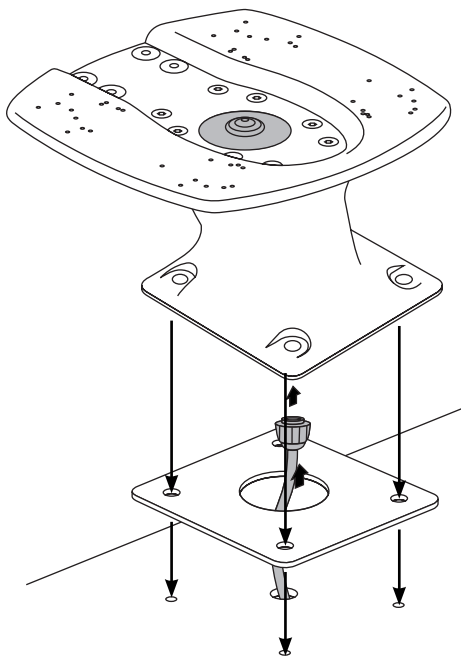


Take the provided base drill template and mark the four mounting holes for the Cable Gland. Refer to the Seaview Cable Gland instructions on how to complete the installation.



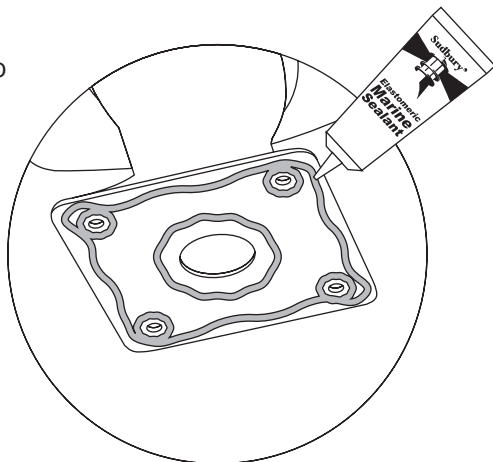
10A

Place the foam gasket and Seaview mount over the bolt holes.

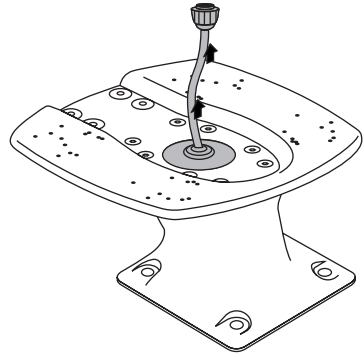


10B

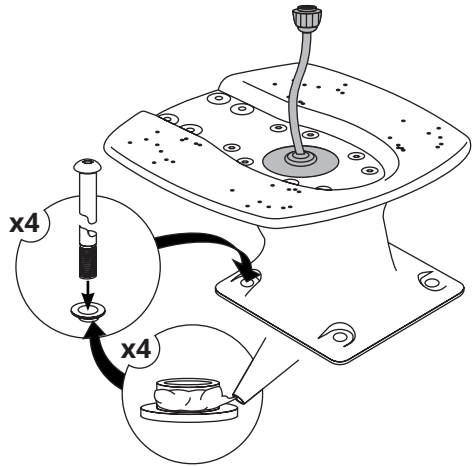
If you prefer not to use the foam gasket apply sealant or equivalent to seal the base.



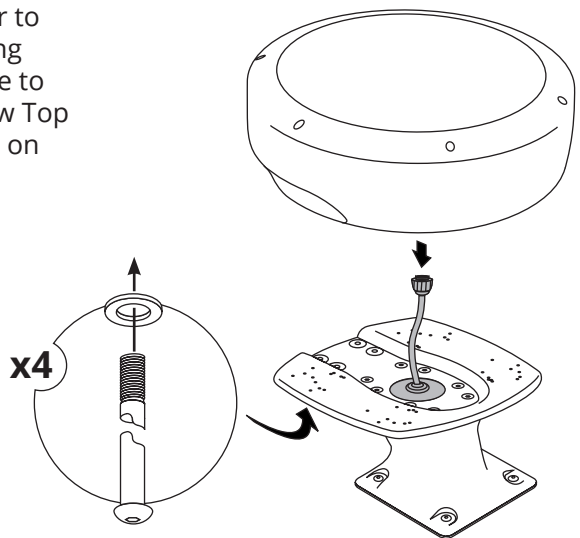
11 Route the radar cable through the mount and through the rubber grommet.



12 Using your own bolts and the four supplied nylon should washers bolt down the Seaview mount to the mounting surface.

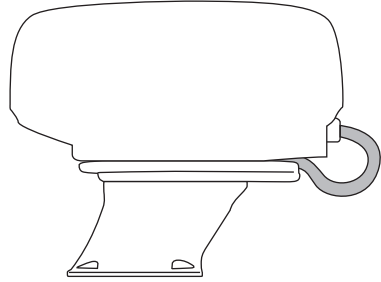
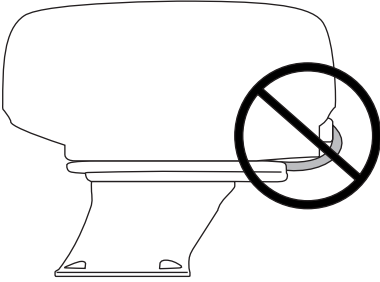


13 Secure your radar to the Top Plate using four bolts, be sure to follow the Seaview Top Plate instructions on how to do this.



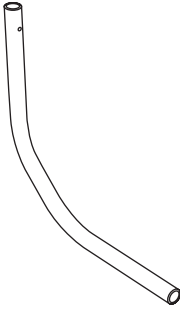
14

Be sure to leave some slack on the radar cable.



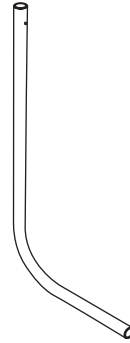
OPTIONAL ACCESSORIES

LIGHT BARS



LTBP-R

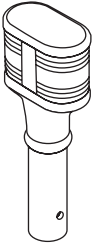
Fits closed dome radars.



LTB-S

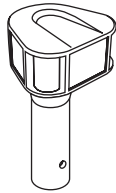
Fits 20" or smaller satdomes.

LIGHT BAR TOPS



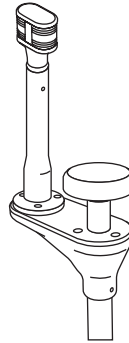
LTBP-1197

Perko 1197 Light.



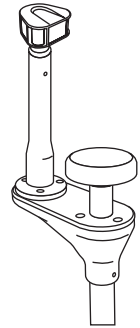
LTBA-7800

Attwood LED Light.



LTBU1A1197

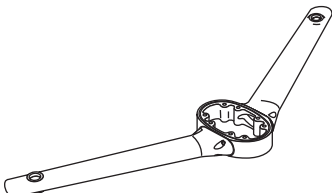
Light Bar Top with Perko 1197 Light, can fit GPS.



LTBU1A800

Light Bar Top with Attwood LED Light, can fit GPS.

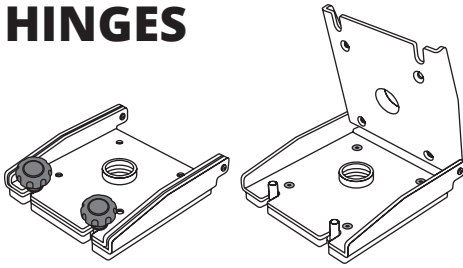
SPREADER KIT



SP1-MOD

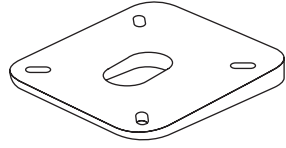
Allows user to mount GPS units or antennas onto a Seaview Modular Mount.

HINGES



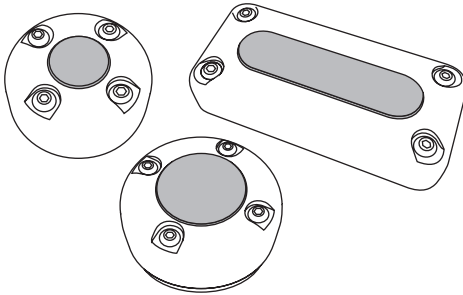
Seaview Hinge Adapters fold in any direction necessary for added height clearance.

WEDGES



Compensates for plane angle.
Available in 2, 4 or 6 degree wedges.

CABLE GLANDS



Seaview Cable Glands provide waterproof cable routing.