



QUALITY MARINE
EQUIPMENT SINCE 1981



**COMPLETE MOUNTING SOLUTIONS
FOR MARINE ELECTRONICS**





Complete marine electronic mounting solutions.

Seaview is the global leader in designing and manufacturing mounting solutions for marine electronics. Seaview offers hundreds of installation options for optimal positioning of radar, satellite and tv domes, gps, vhf, camera, searchlights and navigation lights. Seaview mounting solutions will not only provide unmatched strength and durability but look elegant, complementing the styling of your boat.

Working closely with all major electronic manufacturers, we offer an innovative range of high quality products for powerboats, sailboats, yachts, commercial and military vessels. While we offer a comprehensive selection of standard mounts, we also offer personalized mast solutions where the standard mounts may not be suitable. You will find Seaview mounting systems aboard many of the finest yachts around the world.

Seaview supporting the world's leading marine electronic manufacturers!

See what they have to say on page 42!

LOWRANCE®

SITEX 

Intellian

Raymarine®
BY  **FLIR**

GARMIN  **™**

FURUNO

K|V|H 

SIMRAD

 **FLIR®**

TABLE OF CONTENTS

MODULAR MOUNTS

SINGLE MOUNTS..... 7-8
DUAL MOUNTS..... 9-10
TOP PLATES..... 11
LIGHT BARS & LIGHT BAR TOPS 12-13
MODULAR MOUNT ACCESSORIES..... 14

POWER BOAT MOUNTS

TAPERED MASTS..... 15-16
STAINLESS STEEL MOUNTS..... 18
LOW PROFILE SATDOME ADAPTERS..... 19-20
DIRECT MOUNT WEDGES..... 23

CAMERA & SEARCH LIGHT MOUNTS

CAMERA & SEARCH LIGHT MOUNTS..... 21-22

SAILBOAT MOUNTS

MAST MOUNTS..... 24-26
POLE MOUNTS..... 27-28

INSTRUMENT MOUNTS

POWER PODS..... 29-30
SAIL INSTRUMENT PODS..... 31
DECK INSTRUMENT PODS..... 32
RAIL INSTRUMENT PODS..... 34
SAIL, DECK & RAIL POD REFERENCE GUIDE..... 33

CABLE GLAND

CABLE GLAND..... 35-36

PERSONALIZED OPTIONS

PERSONALIZED MAST OPTIONS..... 37-38
CUSTOM FINISHES..... 39

MANUFACTURER TESTIMONIALS

MANUFACTURER TESTIMONIALS..... 41-42

“ PYI worked closely with us to supply a mast with our fairly extensive custom modification requests. ”

Gary Johnson
Applied Engineering Manager
Navatek Ltd.

“We rig them to be “dream boats” with every conceivable option and technology. Seaview’s flexible line of electronics mounting solutions makes it easy to fit our full system including radar, satellite TV and thermal night vision. Their customizable masts and mounts are rugged, reliable and they look fantastic too. They blend seamlessly with the design of today’s modern sport-fishing boats and look totally built-in, not bolt-on. That’s really appreciated by the boat builders we work with on these projects too.”

Jim McGowan
Americas Marketing Manager
FLIR Maritime and Raymarine



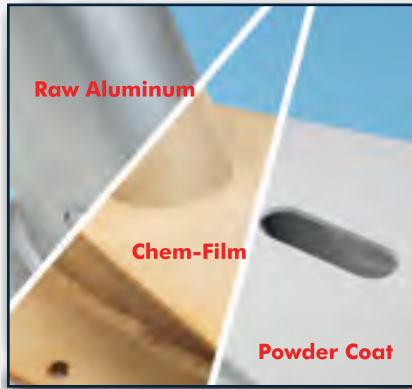
Image courtesy of Raymarine.
(Seaview PMA-DM1-M2, ADA-F1, LTBA-S and LTBA-7800 shown.)

HERE'S WHY YOU SHOULD **CHOOSE SEAVIEW**



PERFORMANCE

Seaview mounts will properly elevate your electronics to eliminate interference, safely clear those on board and encourage longevity of the electronics.



DURABLE

Unlike any other mount available, Seaview takes the finish to another level. We now Chem-Film (same process used by Boeing) each high grade aluminum part prior to our standard 3 part epoxy prime and powder coat to ensure the best possible finish and corrosion resistance.



MODULAR DESIGN

Simple 3 step system to choose your Seaview mount and accessories. Visit the website for a simple selector guide.

1. Pick Mount Style
2. Select Top Plate
3. Choose Accessories



SPACE SAVING

Compact Seaview mounts help you get all of your marine electronics with one simple solution. Small footprints and one center hole for wiring point of entry.



HIGH QUALITY

Our Robotic Welding provides maximum efficiency while producing consistently superior welds. The Lincoln Fanuc 55E Single Station, AM120iC/12L with 6 axis robotic arm and 2 axis turntable was specifically programmed to weld our Seaview products.

This robot is operated by our very experienced welding team, manufacturing our Seaview products for stock, commercial and military applications including OEM parts.

“ Monterey Boats exclusively uses PYI, Inc. Seaview mounts for all of their sport yachts and enjoys the quality and relationship they have with PYI, Inc. ”

Mark Owens
Vice President of Design & Engineering



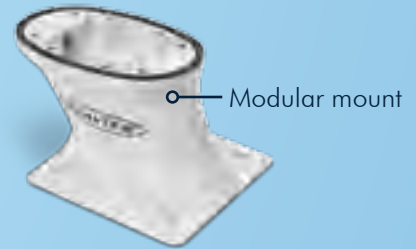
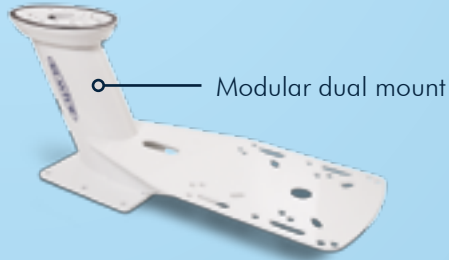
FOR RADARS, OPEN ARRAYS & SATDOMES

MODULAR MOUNTS

Easy 3 Step Solution

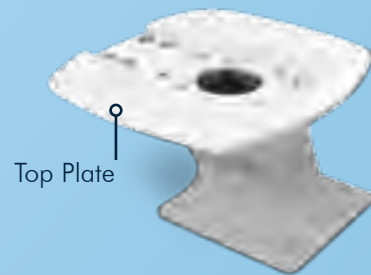
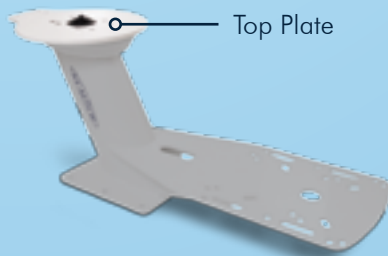
STEP 1
REQUIRED

Select Mount Base Style and Height - Pages 7-10



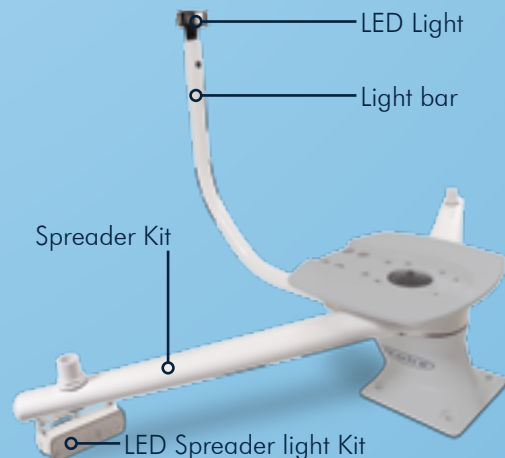
STEP 2
REQUIRED

Choose Your Modular Top Plate - Page 11



STEP 3
OPTIONAL

Select Light Bar and Optional Accessories - Pages 12-14

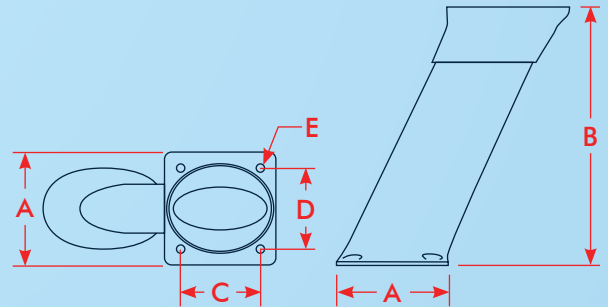


STEP 1
REQUIRED

CHOOSE A MODULAR MOUNT

FORWARD LEANING

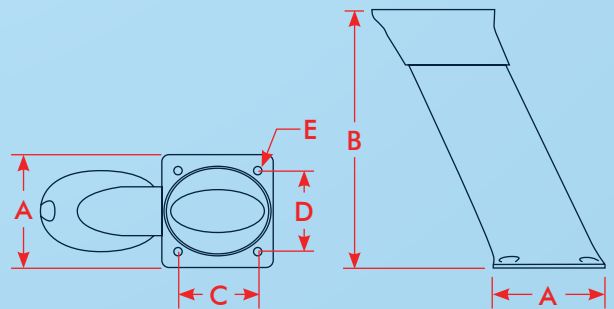
- 18" - 24" closed dome radars
- 16" diameter or smaller satdomes
- 10" tall mounts are not to be used with open array radars



Model #	A inch /mm	B inch /mm	C & D inch /mm	E inch /mm
PMF-57-M1	7 / 177.8	5 / 127	5 / 127	.5 / 12.7
PMF-107-M1	7 / 177.8	10 / 254	5 / 127	.5 / 12.7

AFT LEANING

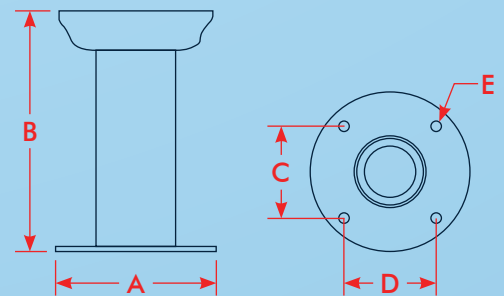
- 18" - 24" closed dome radars
- 16" diameter or smaller satdomes
- 10" - 36" tall mounts are not to be used with open array radars



Model #	A inch /mm	B inch /mm	C & D inch /mm	E inch /mm
PMA-57-M1	7 / 177.8	5 / 127	5 / 127	.5 / 12.7
PMA-107-M1	7 / 177.8	10 / 254	5 / 127	.5 / 12.7
PMA-167-M1	7 / 177.8	16 / 406.4	5 / 127	.5 / 12.7
PMA-247-M1	7 / 177.8	24 / 609.6	5 / 127	.5 / 12.7
PMA-367-M1	8 / 203.2	36 / 914.4	6.5 / 165.1	.5 / 12.7

VERTICAL

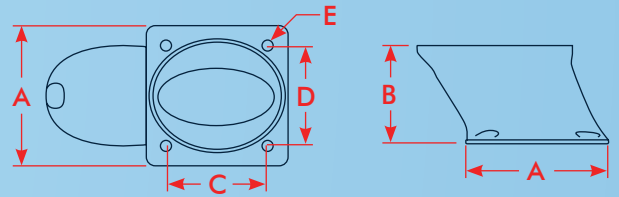
- 18" - 24" closed dome radars
- 24" diameter or smaller satdomes
- Not to be used with open array radars



Model #	A inch /mm	B inch /mm	C & D inch /mm	E inch /mm
AM5-M1	8 / 203.2	5 / 127	4.77 / 121.2	.5 / 12.7
AM12-M1	8 / 203.2	12 / 304.8	4.77 / 121.2	.5 / 12.7
AM18-M1	8 / 203.2	18 / 457.2	4.77 / 121.2	.5 / 12.7

OPEN ARRAY RADAR MOUNT

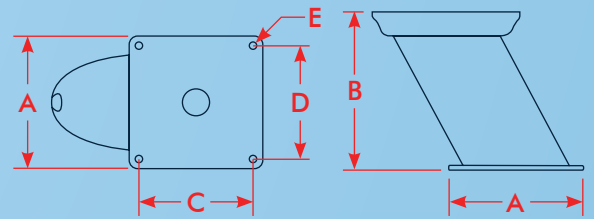
- Up to 6' open array radars
- Forward or aft leaning



Model #	A inch/mm	B inch/mm	C & D inch/mm	E inch/mm
PMF-57-M1 (FWD Leaning)	7 / 177.8	5 / 127	5 / 127	.5 / 12.7
PMA-57-M1 (AFT Leaning)	7 / 177.8	5 / 127	5 / 127	.5 / 12.7

SATDOME MOUNT

- 16" - 24" diameter satdomes
- Aft leaning
- Not to be used with open array radars



Model #	A inch/mm	B inch/mm	C & D inch/mm	E inch/mm
PMA-57-M1	7 / 177.8	5 / 127	5 / 127	.5 / 12.7
PMA-1210-M2	10 / 254	12 / 304.8	8.5 / 215.9	.5 / 12.7
PMA-1810-M2	10 / 254	18 / 457.2	8.5 / 215.9	.5 / 12.7

Seaview **Dual Mounts** are
on pages **9 & 10**

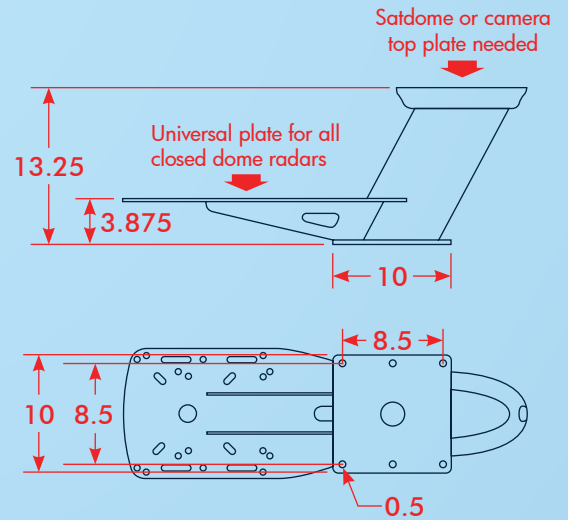


STEP 1
REQUIRED

CHOOSE A MODULAR MOUNT

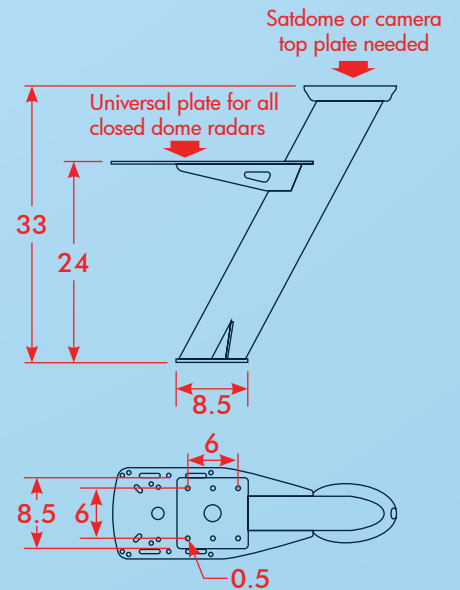
PMA-DM1-M2

- 18" - 24" closed dome radars
- 16" - 24" satdomes
- Cameras



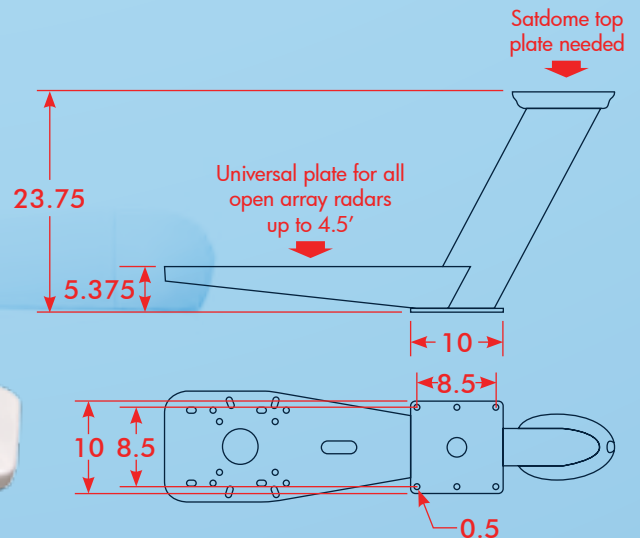
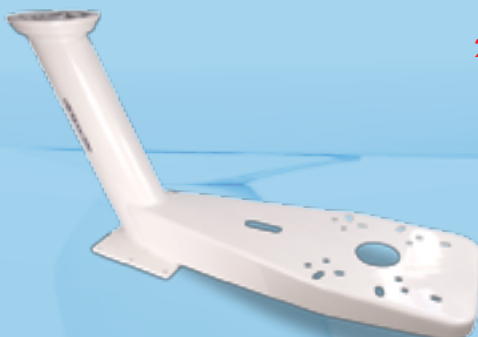
PMA-DM124-M2

- 18" - 24" closed dome radars
- 16" - 18" satdomes
- Cameras



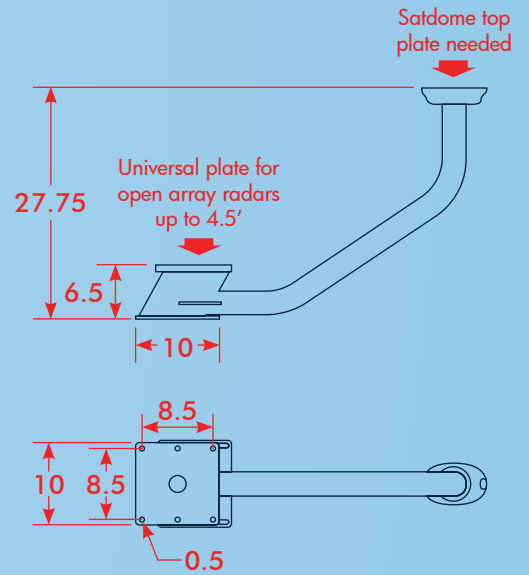
PMA-DM2-M2

- Up to 4.5' open array radars
- 16" - 24" satdomes



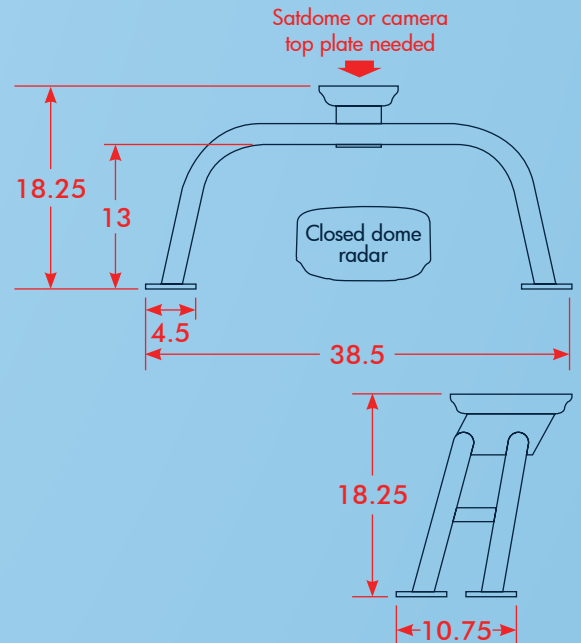
PMA-DM3-M1

- Up to 4.5' open array radars
- 16" - 18" satdomes



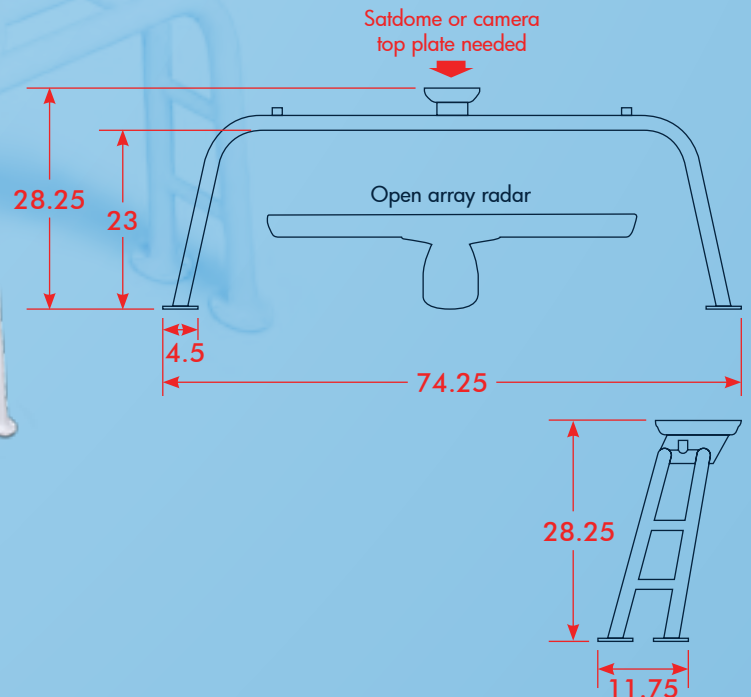
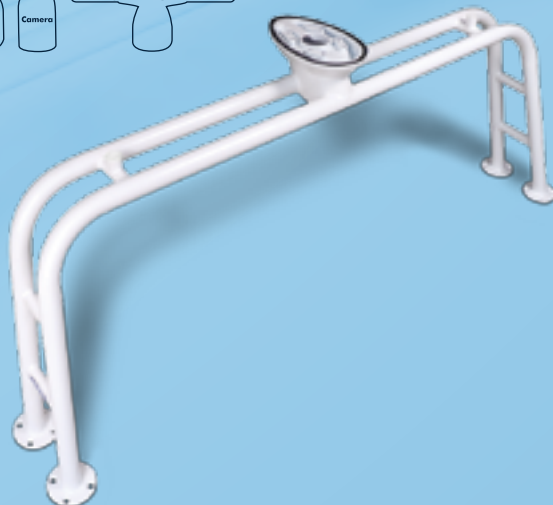
ARCH-1M2

- 18" - 24" closed dome radars
- 16" - 24" satdomes
- Cameras



ARCH-2M2

- Up to 4.5' open array radars
- 16" - 24" satdomes
- Cameras



STEP 2
REQUIRED

SELECT A TOP PLATE

NOTE: If you have selected a modular mount ending in "M1" use the M1 column below. Mounts ending in "M2" use M2 column.

M1 fits modular mounts ending in M1. Example: PMA-57-M1

M2 fits modular mounts ending in M2. Example: PMA-DM1-M2

M1 M2 Light Bar

	M1	M2	Light Bar
COMNAV			
Explorer V2/V3	ADABLANK	ADABLANK	LTB-S
FLIR			
MD-Series, M-Series	ADA-F1	ADA-F1	LTB-S
FURUNO			
15" - 24" radar domes	ADA-R1	N/A	LTB-R
4'-6' open array radar	ADA-R1	N/A	LTB-OA or LTB-OA-6
Open array radar 1942	ADA-R2	ADAR1DMLTB	LTB-OA
GARMIN			
GMR18(HD), GMR18x(HD)	ADA-R1	ADAR1DMLTB	LTB-R
GMR24(HD), GMR24x(HD)	ADA-R1	ADAR1DMLTB	LTB-R
Fantom, 4'-6' open array radar	ADA-R1	ADAR1DMLTB	LTB-OA or LTB-OA-6
GEONAV			
24" radar domes	ADA-R1	N/A	LTB-R
3.5' - 4.5' open array radar	ADA-R1	N/A	LTB-OA or LTB-OA-6
GLOMEX			
20" - 27" Satdome	ADA-S1	ADA-S3	LTB-S24
INTELLIAN			
i2	ADA-S1	ADA-S3	LTB-S
i3	ADA-S1	ADA-S1	LTB-S
i4, i4P	ADA-S2	ADA-S2	LTB-S
i5	ADA-S2	ADA-S2	LTB-S24
i6, i6P, S6HD, FB500	ADA-S2	ADA-S2	LTB-S24
FB150, FB250	ADA-S4	ADA-S4	LTB-S
JRC			
15" radar domes	ADA-R1	N/A	LTB-R
24" radar domes	ADA-R2	N/A	LTB-R
KODEN			
18"-25" radar domes	ADA-R1	N/A	LTB-R
4' - 6' open array radar	ADA-R1	ADAR1DMLTB	LTB-OA or LTB-OA-6
KVH			
M1DX, M1, TV1	ADA-S1	ADA-S3	LTB-S
M2, M3, M3DX, M3ST, V3, V3-IP, TV3	ADA-S1	ADA-S1	LTB-S
M5, TV5, FB250(18")	ADA-S2	ADA-S2	LTB-S
M7, M7SK, HD7, V7, TV6, FB500(26"), V3-IP(24")	ADA-S2	ADA-S2	LTB-S24
V7-IP	CALL	CALL	CALL
FB150(10.8"), FB250(14"), Fleet One, Fleet33	ADA-S4	ADA-S4	LTB-S

	M1	M2	Light Bar
LOWRANCE			
3G, 4G radar domes	ADA-R1	ADAR1DMLTB	LTB-R
LORENZ			
12" - 24" radar domes	ADA-R1	N/A	LTB-R
4' - 6' open array radar	ADA-R1	N/A	LTB-OA or LTB-OA-6
RAYMARINE			
18" - 24" radar domes	ADA-R1	ADAR1DMLTB	LTB-R
Quantum radar	ADA-R1	ADAR1DMLTB	LTB-R
4'-6' open array radar	ADA-R1	N/A	LTB-OA or LTB-OA-6
33STV	ADA-S1	ADA-S3	LTB-S
37STV	ADA-S1	ADA-S1	LTB-S
45STV	ADA-S2	ADA-S2	LTB-S
60STV	ADA-S2	ADA-S2	LTB-S24
T200, T300, T400	ADA-F1	ADA-F1	LTB-S
SEA-TEL (COBHAM)			
ST14, FX150 (16.5")	ADA-S2	ADA-S2	LTB-S24
C18, FX250 (24")	ADA-S2	ADA-S2	LTB-S24
SIMRAD			
3G, 4G radar domes	ADA-R1	ADAR1DMLTB	LTB-R
DX64S	ADA-R2	N/A	LTB-R
TX06S	ADA-R1	N/A	LTB-OA
TX10S	ADA-R1	N/A	LTB-OA6
4' - 6' Halo™ open array radar	ADA-R1 + ADA-HALO-3	N/A	LTB-OA or LTB-OA-6
4' - 6' RB series open array radar	ADA-R1	N/A	LTB-OA or LTB-OA6
SITEX			
18" (T760/T921) radar domes	ADA-R1	N/A	LTB-R
24" (T761) radar domes	ADA-R2	N/A	LTB-R
25" radar domes	ADA-R1	N/A	LTB-R
4'-6' open array radar	ADA-R1	N/A	LTB-OA or LTB-OA-6
SEIWA / TECHMARINE			
12" - 24" radar domes	ADA-R1	N/A	LTB-R
4'-6' open array radar	ADA-R1	N/A	LTB-OA or LTB-OA-6
THRANE & THRANE			
FB150, FB250, Fleet 33, 33+	ADA-S4	ADA-S4	LTB-S
Sailor FB500 (3052A/2B), Fleet 55+	ADA-S1	ADA-S3	LTB-S24
VDO			
Ocean Line 132 (18")	ADA-S1	ADA-S3	LTB-S
Ocean Line 337 (15")	ADA-S1	ADA-S1	LTB-S
Ocean Line 345 (18")	ADA-S2	ADA-S2	LTB-S
Ocean Line 360, 445, 460 (24")	ADA-S2	ADA-S2	LTB-S24



Seaview Top Plates come with a drill template for precise drilling for your radar, satdome, search light or thermal camera.

CHOOSE OPTIONAL ACCESSORIES

LIGHT BARS



LTB-R for 18" - 24" closed dome radars. This light bar can fold over 90°.



LTB-S for 20" or smaller satdomes. This light bar can fold over 90°.



LTB-OA for open array radars up to 4½'.

LTB-OA-6 for 6' open array radars.

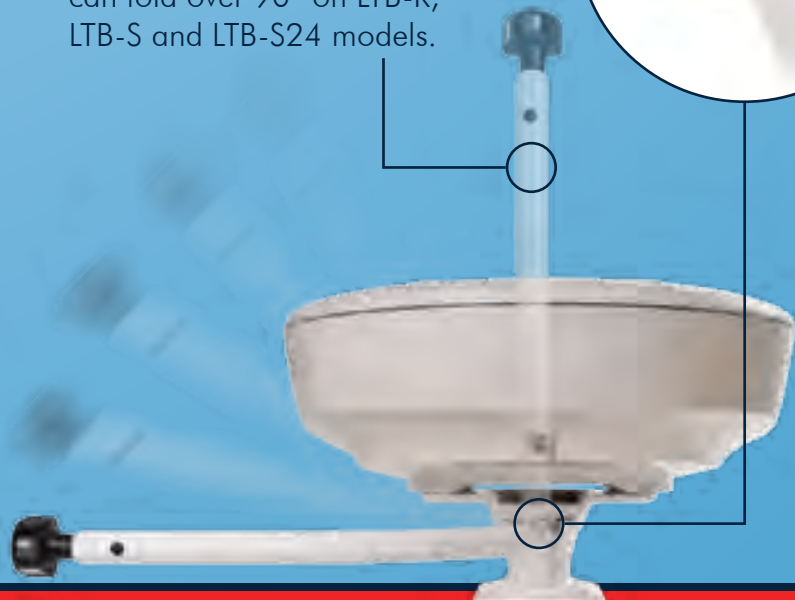
LTB-S24 for 26" or smaller satdomes. This light bar can fold over 90°.



LTB-SF A 2" diameter Light Bar designed to work with FLIR M-Series, MD Series or Raymarine T-Series thermal cameras. Contact Seaview directly to make sure this light bar is right for your boat. Not intended for fast ocean going boats. **Designed to fit Seaview modular mounts ending in M2 only.** This will clear 20" satdomes or smaller.

Please note that light bars do not come with a light. Select a light bar top for your light bar on page 13.

Light bars are removable and can fold over 90° on LTB-R, LTB-S and LTB-S24 models.



CHOOSE OPTIONAL ACCESSORIES

LIGHT BAR TOPS



LTBP-1197
Perko 1197 Anchor light & 7' of wire (12v). Can be converted to 24v.



LTBA-7800
Attwood LED light & 7' of wire (12v).



LTB-BOX
(4" x 4 1/2") Box Top to fit 3 navigation lights or similar. Please note that this does not come with lights.



LTB-U1A
(2 1/2" x 7") Allows you to mount a single light or a GPS and a light. Lights and GPS not included.



PM-U2A
Allows you to mount a single light and two GPS units. Light and GPS not included.



LTB-U
Adapter to mount a GPS or wind transducer. The threads are 1-14.

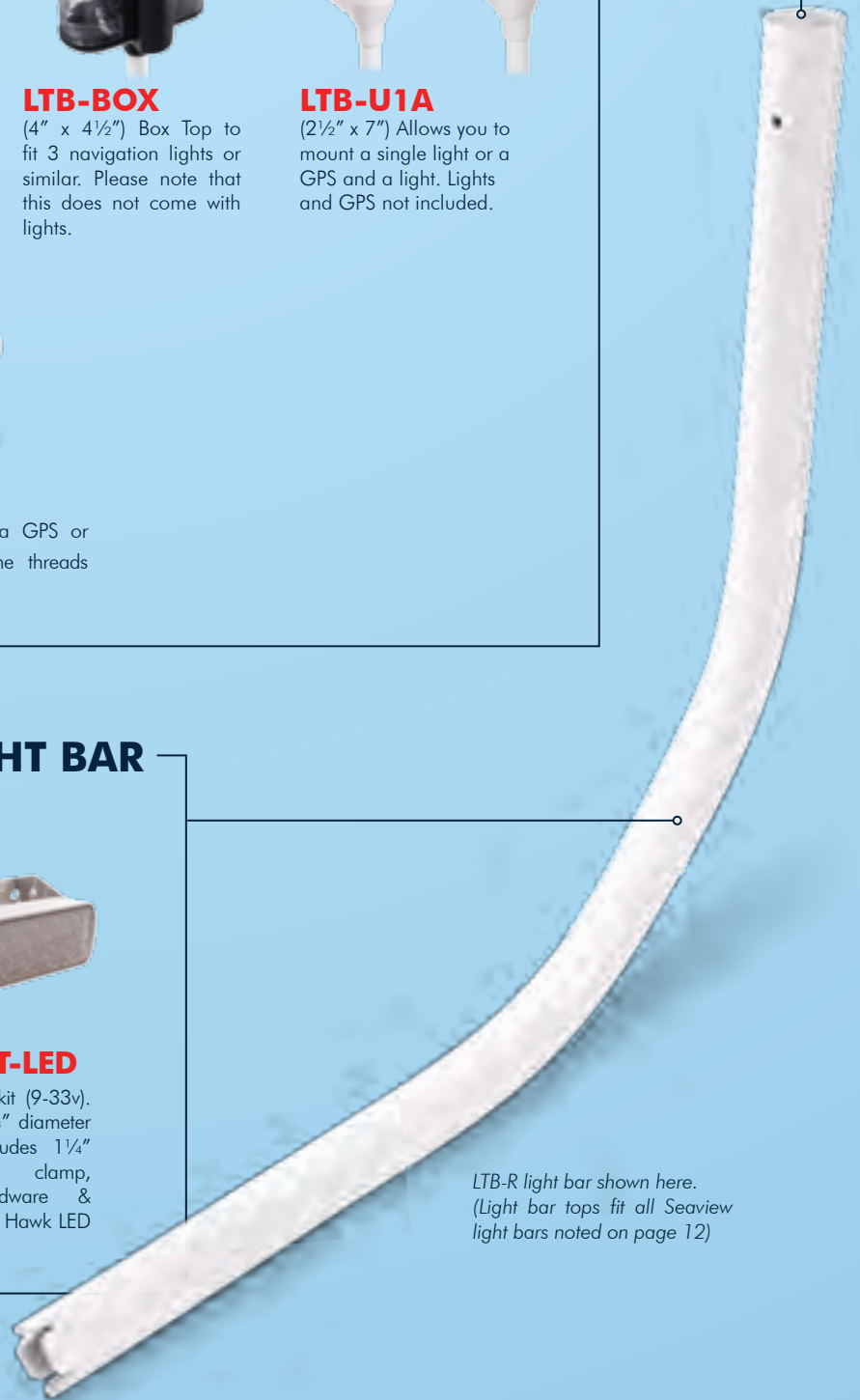
FLOODLIGHTS FOR LIGHT BAR



PM-114LT-DLX
Halogen Floodlight kit (12v). For Seaview 1 1/4" diameter light bars. Includes 1 1/4" stainless steel clamp, mounting hardware & Optronics DL-55CB.



PM-114LT-LED
LED Floodlight kit (9-33v). For Seaview 1 1/4" diameter light bars. Includes 1 1/4" stainless steel clamp, mounting hardware & Hella 0670 Sea Hawk LED Floodlight.



*LTB-R light bar shown here.
(Light bar tops fit all Seaview light bars noted on page 12)*

STEP 3
OPTIONAL

CHOOSE OPTIONAL ACCESSORIES

SPREADER KITS

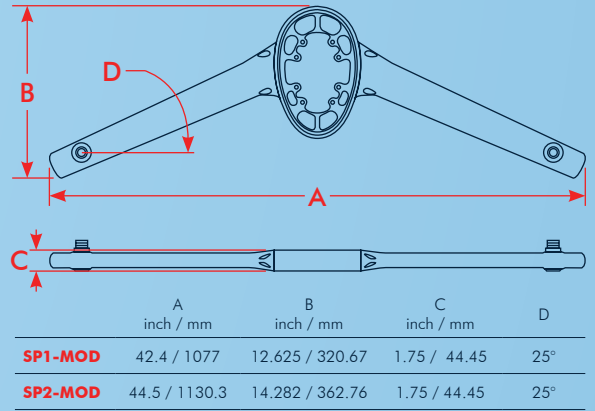


SP1-MOD

Fits all Seaview mounts that end in "M1".
For example PMA-57-M1.

SP2-MOD

Fits all Seaview mounts that end in "M2".
For example PMA-DM2-M2.



Spreader Kit Accessories

SP-LT-LED Enhance your visibility with a Seaview spreader LED floodlight kit. This kit includes stainless steel bracket, mounting hardware & Hella 0670 Sea Hawk LED Floodlight. (9-33v)

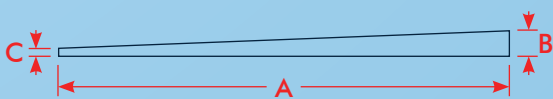


Do NOT use 4' or taller fiberglass antennas on nylon or plastic adapters! 4' or smaller stainless steel whip antennas ok. If you need to mount 4' or taller fiberglass antennas you must use this stainless steel 1-14 threaded insert. (Sold separately, part # **SP7-SS**)

BASE WEDGES



Most common planing attitude requires 3-4° of adjustment. If you are unsure which to choose then we recommend the 4° wedge. We do however offer 2° & 6° wedges if you feel a little more or a little less is better for your application.



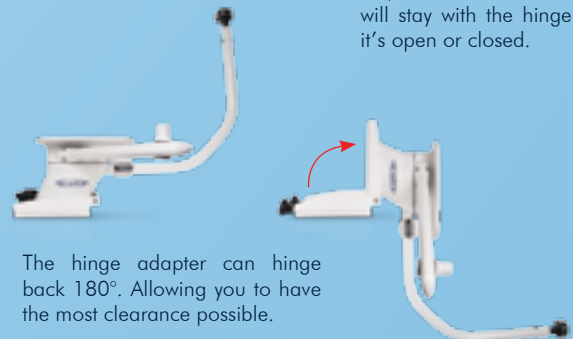
	Angle of Wedge	A inch / mm	B inch / mm	C inch / mm
PM-W2-7	2°	7 / 177.80	.369 / 9.372	.125 / 3.175
PM-W4-7	4°	7 / 177.80	.614 / 15.596	.125 / 3.175
PM-W6-7	6°	7 / 177.80	.861 / 21.869	.125 / 3.175
PM-W4-8	4°	8 / 203.20	.684 / 17.374	.191 / 4.841
PM-W4-10	4°	10 / 254	.95 / 24.130	.25 / 6.350

HINGE ADAPTERS



- PM-H7** For 7"x7" base plate. Fits 5" - 24" tall radar mounts.
- PM-H8** For 8"x8" base plate. Fits 36" tall radar mounts.
- PM-H10** For 10"x10" base plate. Not to be used for PMA-DM2-M2 or PMA-200 series mounts.

Captive knobs means these will stay with the hinge when it's open or closed.



The hinge adapter can hinge back 180°. Allowing you to have the most clearance possible.

TAPERED MASTS

FOR MOST CLOSED & OPEN ARRAY RADARS

PMA-100S



Sold with standard 1-14 threaded fitting made out of nylon to eliminate corrosion

* Not to exceed 4' antennas on spreaders



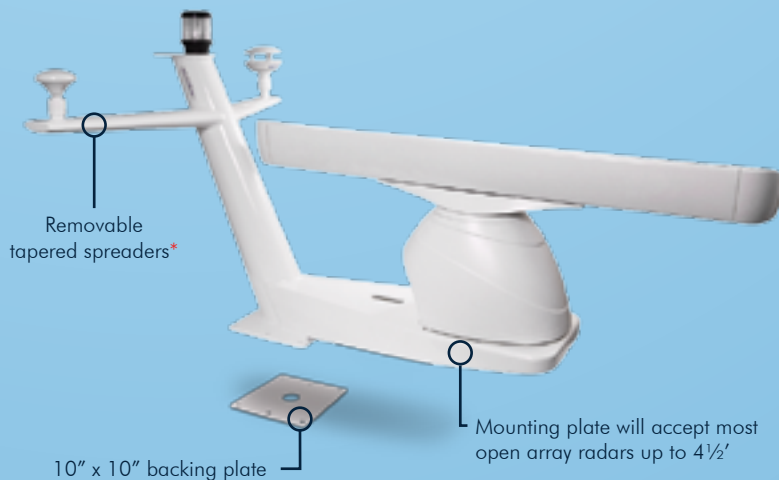
Do NOT use 4' or taller fiberglass antennas on nylon or plastic adapters! 4' or smaller stainless steel whip antennas ok. If you need to mount 4' or taller fiberglass antennas you must use this stainless steel 1-14 threaded insert. (Sold separately, part # **SP7-SS**)



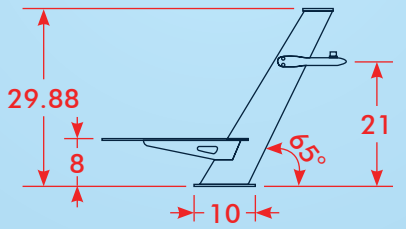
PMA-BC-37S



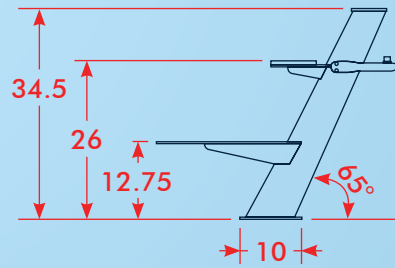
PMA-200



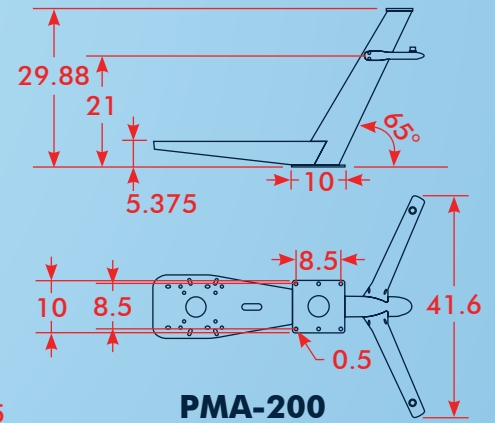
DIMENSIONS



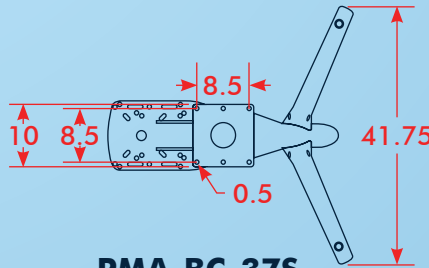
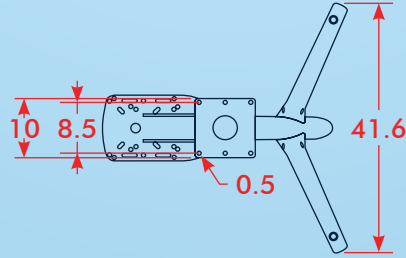
PMA-100S



PMA-BC-37S



PMA-200



“ Back Cove Yachts offers 5 different models and produces 60+ boats per year. We require parts and materials to be delivered on a schedule and be of excellent quality. We have been able to rely on PYI, Inc. to deliver the parts we need, when we need them and maintain the quality levels we expect. PYI, Inc. has remained a significant source in our supply chain. In part because of the reasons mentioned above, but also due to outstanding customer service and engineering support. We look forward to continuing an exceptional partnership for years to come. ”

Keith Warren
Engineering Manager
Back Cove Yachts

*Image courtesy of Back Cove Yachts / Downeast 37
(Seaview PMA-BC-37S mast shown.)*





“ Meridian Yachts is one of the top selling bridge boat brands in the world. Superior design and proven materials make the Meridian fleet among the finest on the water. Meridian has partnered with PYI Inc, Seaview because of a shared promise to deliver exceptional quality and value to its customers. The Seaview products have proven over time to meet our needs and those of our customers. ”

Bill Gowan
Director Of Engineering
Meridian Yachts

Image courtesy of Meridian.
(Seaview PMA-24-ROALM shown.)

STAINLESS STEEL MOUNTS

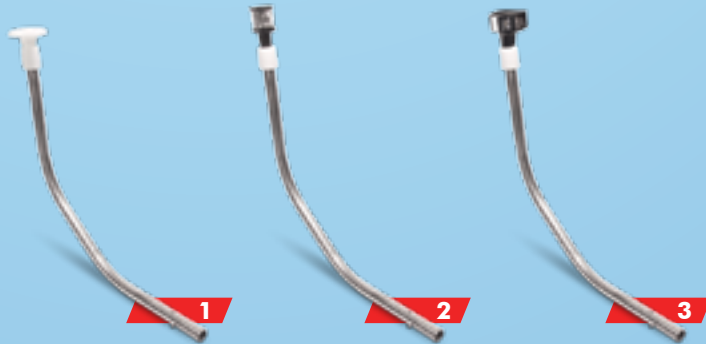
FOR MOST CLOSED DOME & OPEN ARRAY RADARS



PART NUMBER GUIDE

FURUNO	
15" - 24" radar domes	PMA-5-7LSS
4' open array radar	PMA-5-7LSS
GARMIN	
18" - 24" radar domes	PMA-5-7LSS
Fantom, 4' open array radar	PMA-5-7LSS
GEONAV	
24" radar domes	PMA-5-7LSS
4' open array radar	PMA-5-7LSS
JRC	
15" radar domes	PMA-5-7LSS
KODEN	
18" - 25" radar domes	PMA-5-7LSS
4' open array radar	PMA-5-7LSS
LOWRANCE	
3G, 4G radar domes	PMA-5-7LSS
LORENZ	
12" - 24" radar domes	PMA-5-7LSS
4' open array radar	PMA-5-7LSS
RAYMARINE	
18" - 24" Radomes	PMA-5-7LSS
Quantum radar	PMA-5-7LSS
4' open array radar	PMA-5-7LSS
SIMRAD	
3G, 4G radar domes	PMA-5-7LSS
TX06S, TX10S	PMA-5-7LSS
4' Halo™ open array radar	PMA-5-7LSS + ADAHALO3
4' RB Series open array radar	PMA-5-7LSS
SITEX	
12" - 25" radar domes	PMA-5-7LSS
4' open array radar	PMA-5-7LSS
SEIWA	
12" - 24" radar domes	PMA-5-7LSS
4' open array radar	PMA-5-7LSS

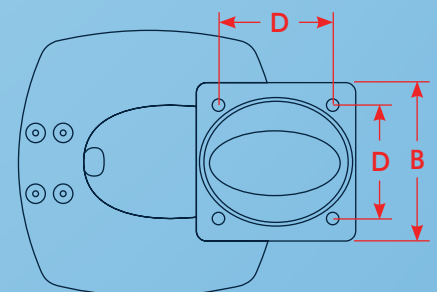
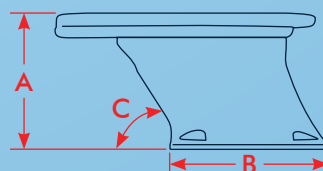
STAINLESS STEEL LIGHT BARS



- 1 LTB-SS** stainless steel light bar for a GPS or light. Features a 3" diameter nylon universal top.
- 2 LTB-100-SS** stainless steel light bar with Perko 1197 anchor light. Comes with 7' wire lead.
- 3 LTB-100-SS-LED** stainless steel light bar with Attwood LED light. Comes with 7' wire lead.

DIMENSIONS

	A	B	C	D	E
	inch /mm	inch /mm	Degrees	inch /mm	inch /mm
PMA-5-7LSS	5 / 127	7 / 177.8	80°	5 / 127	.25 / 6.35



LOW PROFILE ADAPTERS

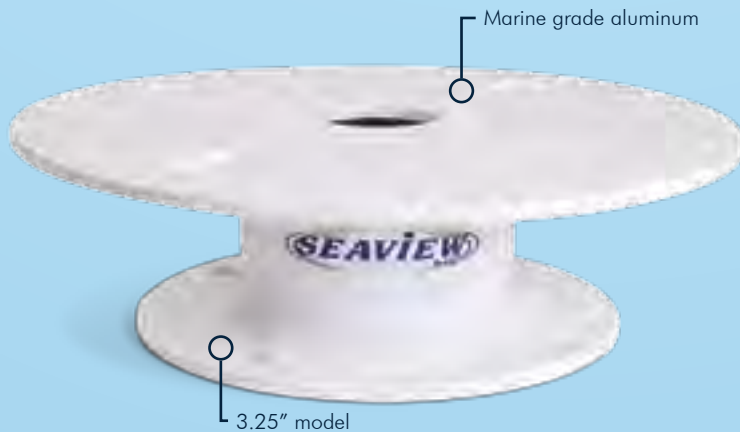
FOR MOST SATDOMES

OPTIMIZE YOUR SATELLITE DOME INSTALLATION

The Seaview low profile adapters will reduce the footprint of your satdome. Add an AMA-W wedge to your installation to level your satdome when installing on sloped surfaces.



- 2.75" models made with UV stable white ABS plastic
- 3.25" and 4" models made of marine grade aluminum
- Small mounting base for space limited installations
- Hides cables



ACCESSORY | AMA-W

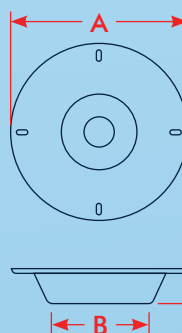


By rotating the **AMA-W** wedge halves you can achieve 0° - 12° of adjustment. The AMA-W wedge works with AMA-16, AMA-18, AMA-24 and AMA-GXF only.

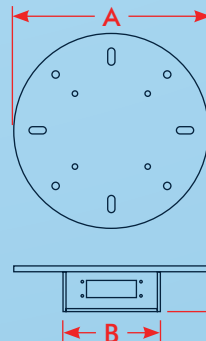
DIMENSIONS

	A inch /mm	B inch /mm	C inch /mm
AMA-14	8 / 203.2	4.75 / 120.6	2.75 / 69.85
AMA-16	12 / 304.8	8 / 203.2	2.75 / 69.85
AMA-18	14.25 / 362	8 / 203.2	2.75 / 69.85
AMA-18IP	14.25 / 362	8 / 203.2	3 / 76.2
AMA-24	19 / 482.6	8 / 203.2	2.75 / 69.85
AMA-32	17 / 431.8	8 / 203.2	4 / 101.6
AMA-GXF	12 / 304.8	8 / 203.2	3.25 / 82.55

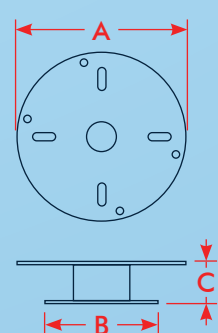
AMA-14 / AMA-16 /
AMA-18 / AMA-18IP
AMA-24



AMA-32



AMA-GXF



LOW PROFILE SATDOME PART # GUIDE

Find your satdome below to find the correct Low Profile mount part number. If you do not see your satdome below please give us a call.

GLOMEX

20" - 27" satdomes **AMA-GXF**

INTELLIAN

i2 **AMA-GXF**

i3 **AMA-16**

i4, i4P, i5 **AMA-18**

i6, i6P, S6HD, FB500 **AMA-24**

FB150, FB250 **AMA-14**

KVH

M1, M1DX, TV1 **AMA-GXF**

M2, M3, M3DX, M3ST, V3, V3-IP, TV3 **AMA-16**

M5, TV5, FB250(18") **AMA-18**

M7, M7SK, HD7, TV6, V7, FB500 (26") **AMA-24**

TV7-IP **AMA-18IP**

TV8, HD11, FB500 (35") **AMA-32**

FB150 (10.8"), FB250 (11"), Fleet 33, Fleet One **AMA-14**

RAYMARINE

33STV **AMA-GXF**

37STV **AMA-16**

45STV **AMA-18**

60STV **AMA-24**

SEA TEL / COBHAM

ST14, FX150 (16.5") **AMA-18**

C18, FX250 (24") **AMA-18**

THRANE & THRANE

FB150, FB250, Fleet 33, Fleet 33+ **AMA-14**

SAILOR FB500 (3052A/2B), Fleet 55+ **AMA-GXF**

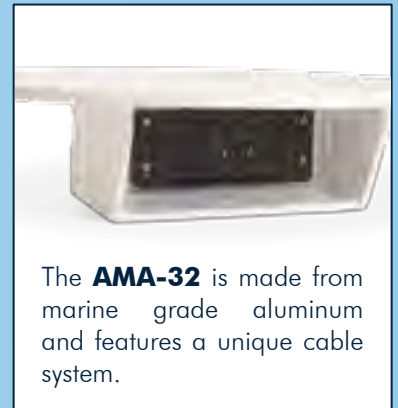
VDO

Ocean Line 132 (18") **AMA-GXF**

Ocean Line 337 (15") **AMA-VD1**

Ocean Line 345 (18") **AMA-VD2**

Ocean Line 360, 445, 460 (24") **AMA-VD2**



The **AMA-32** is made from marine grade aluminum and features a unique cable system.

NOTE! The AMA-24 is intended for non-planning hulls only. These are not to be used in applications (i.e. buggy tops & tuna towers) where the antenna will experience extreme G Forces. If you have a planning hull contact PYI for an aluminum reinforced mount.

“ Intellian is happy to work with Seaview to provide our customers with a professional, stylish and cost effective mounting solution for the complete range of Satellite TV and Communication products. ”

Paul Comyns
VP Global Marketing
Intellian



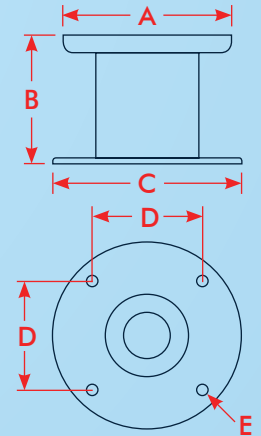
CAMERA & SEARCH LIGHT MOUNTS

VERTICAL MOUNTS

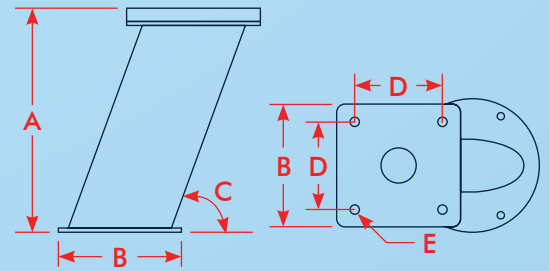


No visible bolts for extra security and improved aesthetics!

	CAMERA		SEARCH LIGHT
	PM5-FMT-8 inch/mm	PM5-FMD-8 inch/mm	PM5-SL-8 inch/mm
A	7.12 / 182.56	6 / 152.4	7.6 / 193.04
B	5.5 / 140	5.5 / 140	5.5 / 140
C	8 / 203.2	8 / 203.2	8 / 203.2
D	4.77 / 121.15	4.77 / 121.15	4.77 / 121.15
E	0.5 / 12.7	0.5 / 12.7	0.5 / 12.7



AFT LEANING MOUNTS

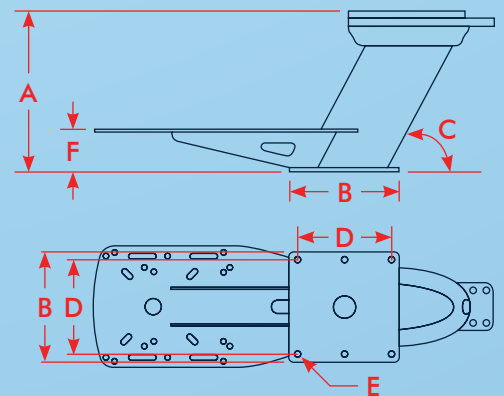


	A inch/mm	B inch/mm	C inch/mm	D inch/mm	E inch/mm
CAMERAS					
PMA-5FMT-7	5.25 / 140	7 / 178	70°	5 / 127	0.5 / 12.7
PMA-12FMT-7	12.75 / 323.85	7 / 178	70°	5 / 127	0.5 / 12.7
SEARCH LIGHTS					
PMA-5FSL-7	5.25 / 140	7 / 178	70°	5 / 127	0.5 / 12.7
PMA-12FSL-7	12.75 / 323.85	7 / 178	70°	5 / 127	0.5 / 12.7

DUAL MOUNT

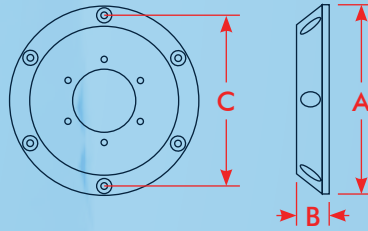


	A inch/mm	B inch/mm	C inch/mm	D inch/mm	E inch/mm	F inch/mm
PMA-DM1-M2	14.5 / 368.3	10 / 254	62°	8.5 / 216	0.5 / 12.7	3.875" / 98.43



TOP DOWN RISER

Designed in co-operation with FLIR/Raymarine engineers. Tested and approved by FLIR/Raymarine as recommended mounting for their night vision cameras.



	CAMERAS		
	FTDR2 inch /mm	FTDR3 inch /mm	FTDR4 inch /mm
A	8.86 / 225	7.75 / 196.85	12.75 / 323.85
B	2 / 50.8	1.5 / 38	2.4 / 60.96
C	8 / 203	3.5 / 88.9	11.75 / 298.45



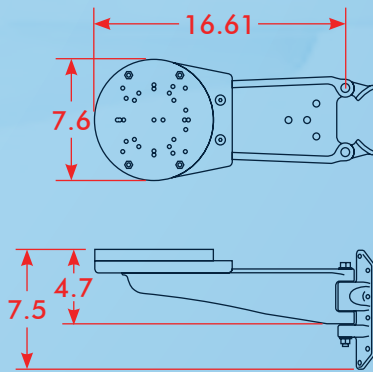
The **FTDR-2**, **FTDR-3** and **FTDR-4** mounts allow you to mount FLIR or Raymarine thermal cameras upside down or vertically.

MAST MOUNT



A **SM-14-F** mast mount for thermal cameras.

SM-14-F

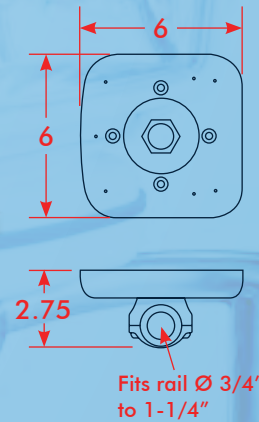


RAIL MOUNT



A **RM-GOL-1** rail mount for search lights. Fits rails 3/4" to 1 1/4" in diameter.

RM-GOL-1



CAMERA & SEARCH LIGHT MOUNT PART # GUIDE

	CAMERA						SEARCH LIGHT					
	RAYMARINE	FLIR	NVTI	COMNAV	VEI	ACR	GOLIGHT	JABSCO				
	T200 T300 & T400	MD SERIES	M-SERIES	M400	NV2020 / NV1018 / NV1020	EXPLORER V2 / V3	APOLLO II / II HD	RCL50 / RCL100	RCL75	RCL300	ALL MODELS	ALL MODELS
FTDR2	•		•									
FTDR3	•		•									
FTDR4				•								
PM5-FMT-8	•		•			•						
PM5-FMD-8	•		•									
PM5-SL-8					•		•	•			•	•
PMA-5FMT-7	•	•	•	•		•						
PMA-12FMT-7	•	•	•	•		•						
PMA-5FSL-7					•		•	•			•	•
PMA-12FSL-7					•		•	•			•	•
RM-GOL-1											•	
PMA-DM1-M2*	•	•	•	•		•						
SM-14-F	•	•	•	•								

* ADA-F1 top plate required

DIRECT MOUNT WEDGES

OPTIMIZES RADAR BEAM



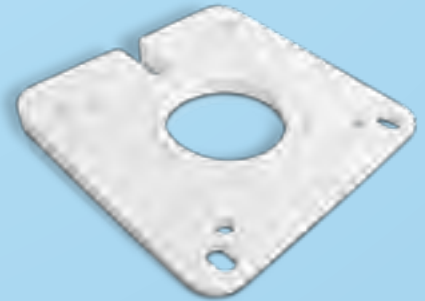
4° direct mount radar wedge



3-4° is most commonly need to compensate for planing attitude. This is why Seaview only offers the 4° direct mount wedge.

DIMENSIONS

	RW4-1	RW4-2	RW4-3	RW4-4	RW4-5	RW4-6	RW4-7
A inch / mm	.31 / 7.87	.53 / 13.46	.25 / 6.35	.15 / 3.81	.25 / 6.35	.67 / 17.02	.29 / 7.37
B inch / mm	.95 / 24.13	1.40 / 35.56	.95 / 24.13	.95 / 24.13	.77 / 19.56	1.50 / 38.10	1 / 25.4



DIRECT MOUNT ANGLED WEDGES PART # GUIDE

FURUNO

15" - 18" radar domes	RW4-1
24" radar domes	RW4-6
4' - 6' open array radars	RW4-3

GARMIN

GMR18(HD), GMR18x(HD), GMR24(HD), GMR24x(HD)	RW4-2
Fantom, 4' - 6' open array radars	RW4-3

GEONAV

24" radar domes	RW4-6
3.5' - 4.5' open array radars	RW4-5

JRC

15" radar domes	RW4-6
24" radar domes	RW4-5
4' - 6' open array radars	RW4-5

LOWRANCE

3G, 4G radar domes	RW4-2
--------------------	-------

LORENZ

12" - 24" radar domes	RW4-1
4' - 6' open array radar	RW4-5

KODEN

18" (MDC 900 series) radar domes	RW4-1
25" (MDC 900 series) radar domes	RW4-2
4' - 6' open array radars	RW4-3

RAYMARINE

18" - 24" radar domes	RW4-2
Quantum radar	RW4-2
4' - 6' open array radars	RW4-4

SIMRAD

3G, 4G radar domes	RW4-2
DX64S radar domes	RW4-6
TX06S, TX10S open array radar	RW4-5
4' open array radar (RB7 Series)	RW4-3
4' Halo™ open array radar	RW4-7
TX06S open array radar	RW4-5

SITEX

18" (T760/T921) radar domes	RW4-1
24" (T761) radar domes	RW4-6
25" radar domes	RW4-2
4' - 6' open array radars	RW4-3

SEIWA

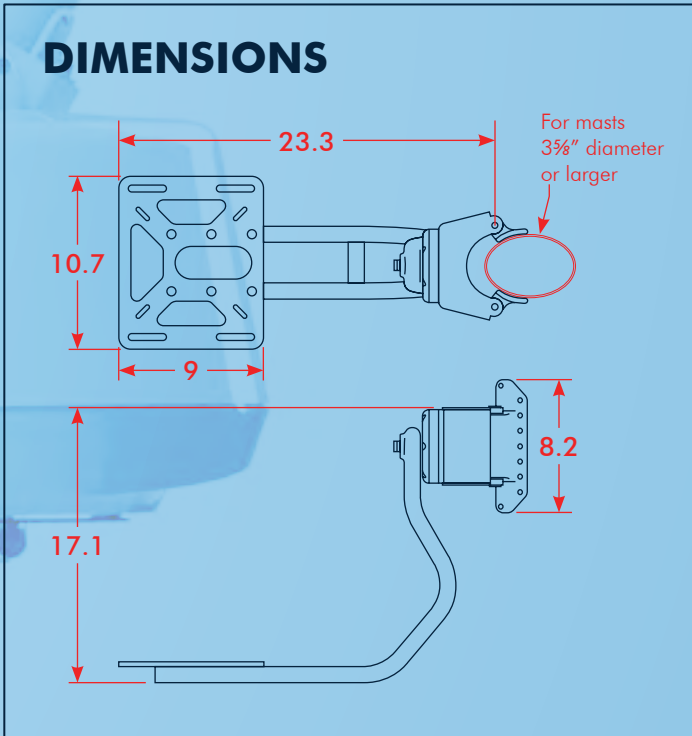
12" - 24" radar domes	RW4-1
4' - 6' open array radars	RW4-3

TECH MARINE

12" - 24" radar domes	RW4-1
-----------------------	-------

MAST MOUNT

SELF LEVELING



SELF LEVELING MAST MOUNT PART # GUIDE

FURUNO

18" Radomes **SLM-2S**

GEONAV

18" Radomes **SLM-2S**

GARMIN

18" Radomes **SLM-2S**

KODEN

18" Radomes **SLM-2S**

LORENZ

18" Radomes **SLM-2S**

RAYMARINE

18" / Quantum radomes **SLM-2S**

SEIWA

18" Radomes **SLM-2S**

SIMRAD

18" Radomes **SLM-2S**

SITEX

18" Radomes **SLM-2S**

TECHMARINE

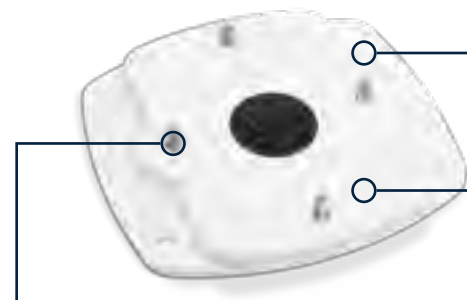
18" Radomes **SLM-2S**

**Please note the potential risk of this moving part on the mast. Any mounting device off the mast is at risk due to the various moving parts associated with the boat.*

ADAPTER PLATE

FOR SIMRAD® HALO™ OPEN ARRAY RADAR

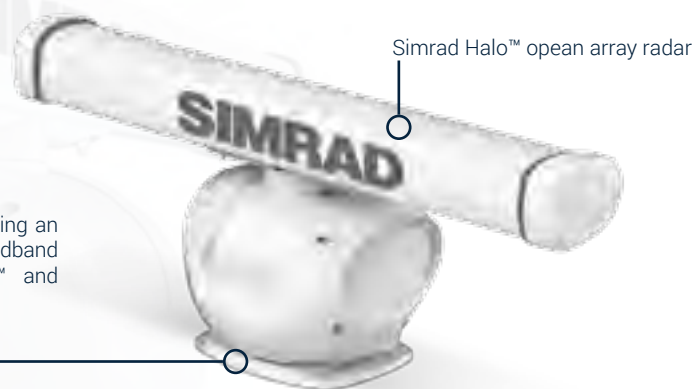
This Simrad Halo™ adapter plate is a great solution when replacing an existing Simrad Broadband 3G™, Broadband 4G™, Raymarine or Garmin closed dome radar. Mounting holes pick up existing radar brands mentioned above and the new Simrad Halo™ open array.



Halo™ mounting hole pattern

Hole pattern for replacing an existing Simrad Broadband 3G™, Broadband 4G™ and other brands of radar.

ADA-HALO2 adapter plate



Simrad Halo™ open array radar

MAST PLATFORMS

FOR MOST RADARS & SATDOMES



ADJUSTABILITY



The SM-18-R is designed with fore and aft adjustable rails so that you can have the radar as close as possible to the mast.

STRENGTH



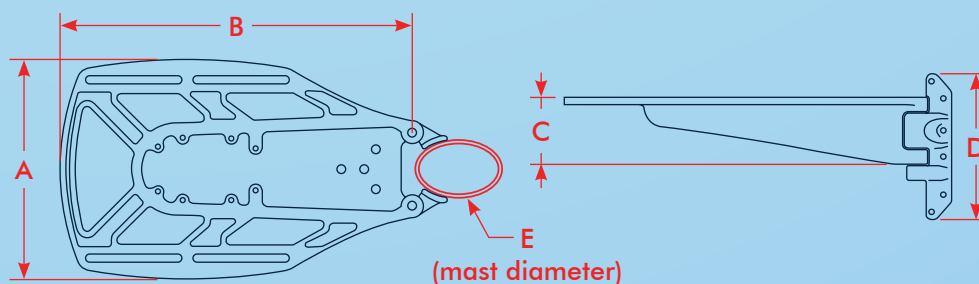
Six stainless steel rivets with nylon washers to protect powder coat finish per foot are used to hold the heavy duty mounting feet to the mast.



Solid underbody construction not only greatly improves strength but also hides radar cables.

Predrilled to receive accessories such as a flood light or horn.

DIMENSIONS



	SM-14-A inch /mm	SM-15-A inch /mm	SM-18-A inch /mm	SM-18-U inch /mm	SM-18-R inch /mm	SM-24-A inch /mm	SM-24-U inch /mm	SM-24-R inch /mm
A	8.23 / 209	12 / 304.8	18.5 / 469.9	12 / 304.80	11.28 / 286.5	18.50 / 470	11.75 / 298.45	11.75 / 298.45
B	15.9 / 403.1	16.25 / 412.75	22.75 / 577.85	15.65 / 397.51	18.01 / 457.5	25 / 635	20 / 508	20 / 508
C	4.11 / 104.4	6 / 152.4	6 / 152.4	3.44 / 87.4	3.44 / 87.4	6 / 152.4	6 / 152.4	6 / 152.4
D	7.44 / 189	6.50 / 165.1	6.50 / 165.1	7.44 / 189	7.44 / 189	6.50 / 165.1	6.50 / 165.1	6.50 / 165.1
E	≤2.63 / 66.68	≤2.63 / 66.68	≤3.63 / 92.08	≤2.63 / 66.68	≤2.63 / 66.68	≤3.63 / 92.08	≤3.63 / 92.08	≤3.63 / 92.08

MAST PLATFORM PART # GUIDE

	Mast Mount Part #	Stainless Steel Guard Part #
FLIR		
MD-Series, M-Series	SM-14-F	NA
FURUNO		
15" - 18" radar domes	SM-18-U	SM-G18-U
24" radar domes	SM-24-U	SM-G24-U
GARMIN		
GMR18(HD), GMR18x(HD)	SM-18-R	SM-G18-U
GMR24(HD), GMR24x(HD)	SM-24-R	SM-G24-U
GEONAV		
24" radar domes	SM-24-U	SM-G24-U
GLOMEX		
20" - 27" satdomes	SM-24-A	SM-G24-U
INTELLIAN		
i2, i3	SM-15-A	SM-G18-U
FB150, FB250	SM-14-A	SM-G18-U
i4, i4P	SM-18-A	SM-G18-U
i5, i6, i6P, s6HD, FB500	SM-24-A	SM-G24-U
JRC		
JUE 250, JUE 33 (14")	SM-14-A	SM-G18-U
JUE 500 (24")	SM-24-A	SM-G24-U
JMA-5104, NKE-2042 (24")	SM-24-U	SM-G24-U
KODEN		
18" (MDC 900 series) radar domes	SM-18-U	SM-G18-U
25" (MDC 900 series) radar domes	SM-24-U	SM-G24-U

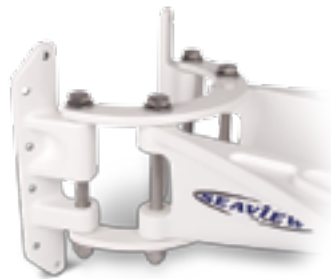
KVH		
FB150 (10.8"), FB250 (14"), Fleet 33, Fleet One	SM-14-A	SM-G18-U
M1DX, M1, TV1, M2, M3, M3DX, M3ST, V3, V3-IP, TV3	SM-15-A	SM-G18-U
M5, TV5, FB250 (18")	SM-18-A	SM-G18-U
M7, M7SK, HD7, V7, TV6, FB500 (26"), V3-IP (24"), TV7-IP	SM-24-A	SM-G24-U
LORENZ		
12" - 24" radar domes	SM-18-U	SM-G18-U
LOWRANCE		
BROADBAND BR24, 3G, 4G (18")	SM-18-R	SM-G18-U
LRA 1800HD, 1500 (18")	SM-18-U	SM-G18-U
LRA 2000, LRA24HD (24")	SM-24-U	SM-G24-U
RAYMARINE		
18" radar domes	SM-18-R	SM-G18-U
Quantum radar	SM-18-R	SM-G24-U
33STV, 37STV	SM-15-A	SM-G18-U
45STV	SM-18-A	SM-G18-U
60STV	SM-24-A	SM-G24-U
T200, T300, T400	SM-14-F	NA
24" radar domes	SM-24-R	SM-G24-U

SEA TEL / COBHAM		
ST14, FX150 (16.5")	SM-18-A	SM-G18-U
C18, FX250 (24")	SM-24-A	SM-G24-U
SEIWA / TECHMARINE		
12" - 24"	SM-18-U	SM-G18-U
SIMRAD		
3G, 4G radar domes	SM-18-R	SM-G18-U
DX64S	SM-24-U	SM-G24-U
SITEX		
18" (T760/T921) radar domes	SM-18-U	SM-G18-U
24" (T761) radar domes	SM-24-U	SM-G24-U
25" radar domes	SM-24-A	SM-G24-U
THRANE & THRANE		
FB150, FB250, Fleet 33, Fleet 33+	SM-14-A	SM-G18-U
Sailor FB500, Fleet 55+	SM-24-A	SM-G24-U
VDO		
Ocean Line 132 (18")	SM-18-U	SM-G18-U
Ocean Line 337 (15")	SM-18-A	SM-G18-U
Ocean Line 345 (18")	SM-24-A	SM-G24-U
Ocean Line 360, 445, 460 (24")	SM-24-A	SM-G24-U

MAST PLATFORM ACCESSORIES



Stainless steel guard for most closed dome radars. Part numbers **SM-G18-U** and **SM-G24-U**. (Refer to guide above)



SM-AD-ISO Isomat adapter for boats with Isomat masts (Integral Track at the Front).

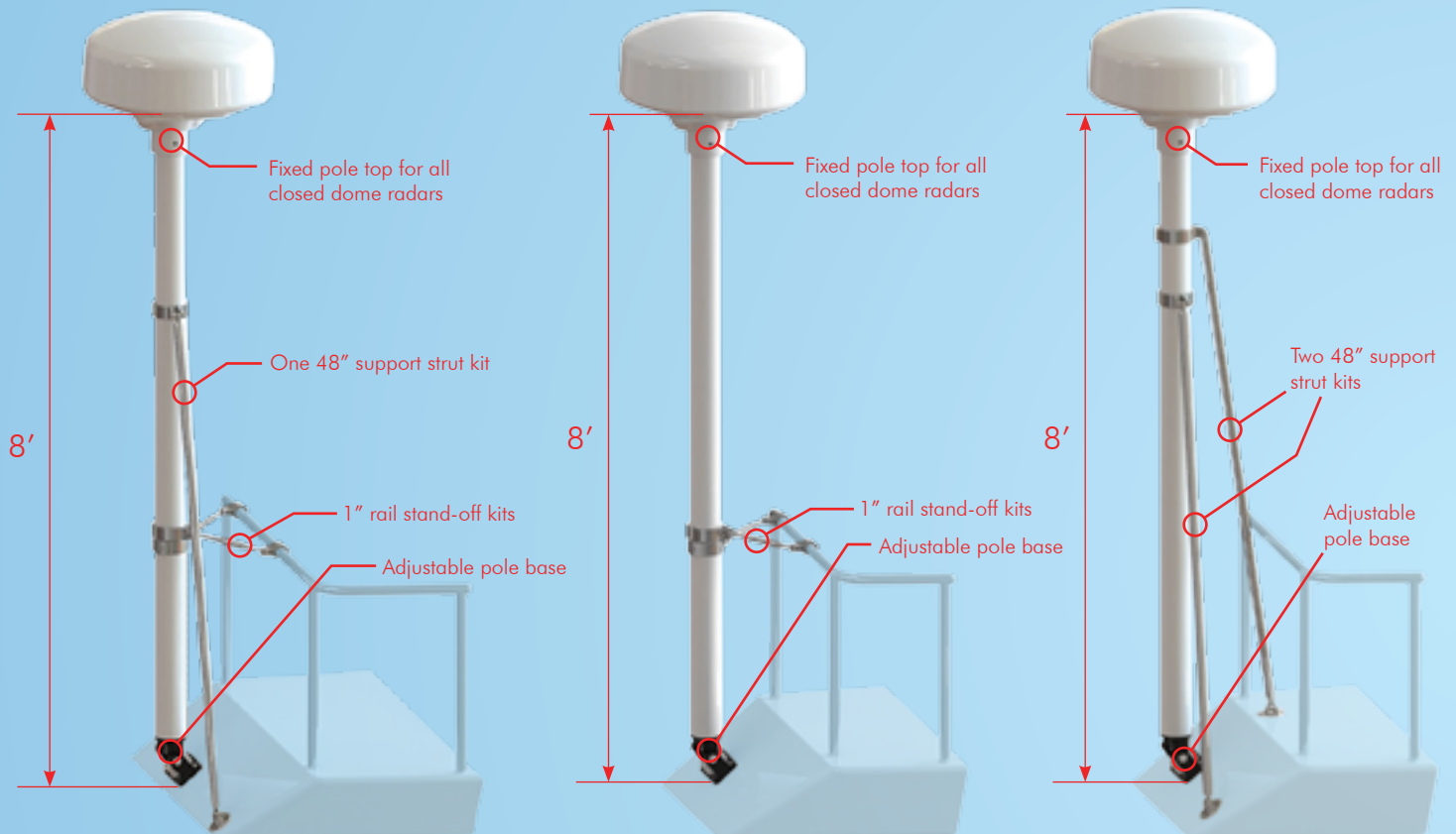


SM-AD-FB Flybridge adapter kit for smaller mast mounts. Fits the following Seaview mast mounts: SM-18-R, SM-18-U, SM-14-F. Will allow for 35° of adjustment.

RADAR MAST POLE KITS

RADAR MASTS FOR SAILBOATS AND TRAWLERS

Seaview offers a pole mount for just about any application. The two most common pole kits are the 8' or 10' tall pole kits. Additional sizes are available, please call to special order. The adjustable base has a small 5 1/4" x 3" footprint, and water tight Seaview Cable Gland, which can be easily disassembled for pole removal.



RM8148 8' Tall Kit

- Fixed pole top
- One 48" strut
- One 1" rail stand off kit
- Adjustable base

RM8KT1 8' Tall Kit

- Fixed pole top
- One 1" rail stand off kit
- Adjustable base

RM848S 8' Tall Kit

- Fixed pole top
- Two 48" strut kits
- Adjustable base



The rail stand-off kit includes two turnbuckle style struts that are adjustable from 6" to 12", two stainless steel 3" pole clamps and two stainless steel 1" rail clamps. 1-1/4" clamps available per special request.



High polished stainless steel strut supports.

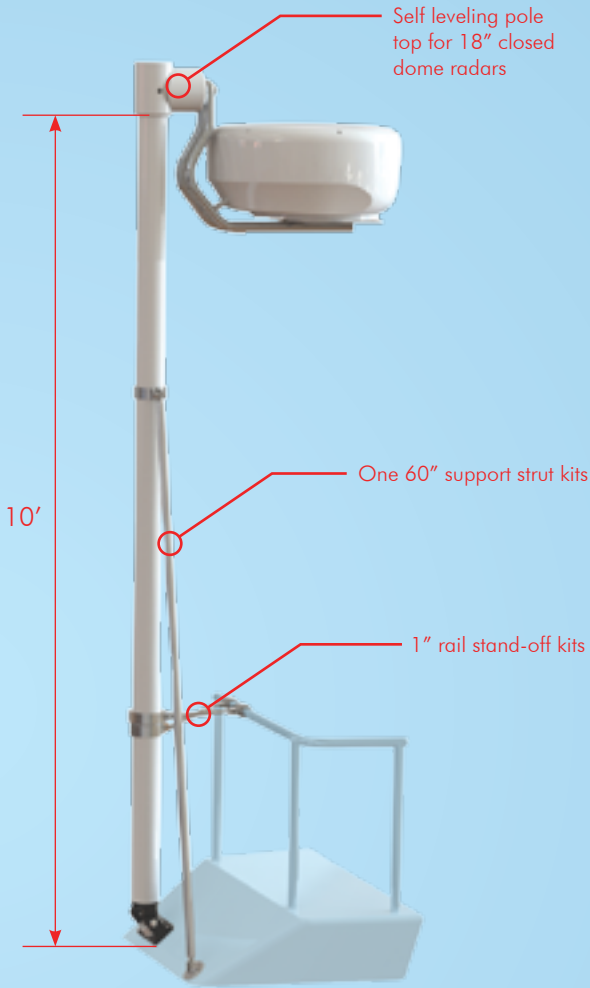


Self leveling pole top with adjustable stainless steel bracket. This is for 18" radars and Raymarine Quantum radar only.



A hard anodized adjustable base with a water tight Seaview Cable Gland.

NOTE: Top plate included with each pole kit to fit most closed dome radars



SLP210160 10' Tall Kit

- Self leveling pole top
- One 60" strut kits
- One 1" rail stand off kit
- Adjustable base

8' TALL POLE KIT (For 3" Diameter Mast)

Fixed Top, Adjustable Base, Pole & 48" Strut Kit and One Rail Stand-Off Kit **RM8148**

Fixed Top, Adjustable Base, Pole & One Rail Stand-Off Kit **RM8KT1**

Fixed Top, Adjustable Base, Pole & Two 48" Strut Kits **RM8485**

10' TALL POLE KIT (For 3" Diameter Mast)

*Self-Leveling Top, Adjustable Base, Pole & 60" Strut Kit & One Rail Stand-Off Kit **SLP210160**

* Only fits 18" radomes and Raymarine Quantum radar. Please note the potential risk of this moving part on the mast. Any mounting device off the mast is at risk due to the various moving parts associated with the boat.



POWER PODS

FOR MOST INSTRUMENTS AND DISPLAYS



GORE™ protective vent relieves pressure buildup while preventing water from entering.



Two high polished stainless steel clamps provide full adjustability.



The Seaview Power Pod is available with two base colors, black or white.
*Black bases available upon request



“ Here is your pod 5 installed on the bridge of a Lagoon 500. This is an excellent product and your service was outstanding. ”

Thanks!
Doug Sutherland
Ft. Lauderdale, FL



POD BOX PART # GUIDE

Please note that these Power Pods come uncut. Seaview can cut the Power Pod to fit your electronics (refer to price list for cut charge). When ordering use part number **POD-CUT** and a description of the electronics.

Allow for 3-5 days when ordering a pre-cut Power Pod

Refer to the uncut pod box size next to your electronics.

Pod Box Size #	Usable Face Dimension	Seaview Part Number
		Item # (White Base)
1	9.5" x 8.5"	PODW-1-UC
2	12.5" x 9.25"	PODW-2-UC
3	14.25" x 9.5"	PODW-3-UC
4	16.25" x 11.5"	PODW-4-UC
5	17.25" x 14.75"	PODW-5-UC

B&G

	Pod Box Size #
Vulcan 5, Vulcan 7, Zeus2 W7, Z7, Touch 7, Zeus3 7, H5000	1
Zues 2 9 (W9), Z8, Touch 8, Vulcan 9	2
T12, Zeus2 12 (Z12), Touch 12, Zues2 Glass Helm ZM 16	4

FURUNO

	Pod Box Size #
GP39, 1623, 1715	1
GP1670, GP1670F, GP1870, GP1870F, GP7800, GP170, GP170D, GS100, MFD8	2
TZTL12F, MFD12, MU170T	4
TZTL15F, MU150HD	5

GARMIN

	Pod Box Size #
echoMAP 50 series, Striker 5, Striker 7, 527, 547, 620, 640, 720, 721, 740, 741, 70s, 7407xsv, 7607xsv	1
echoMAP 70 series, echoMAP 90 series, 820, 840, 4008, 4208, 5008, 5208, 6008, 6208, 8008, 8208, 7408xsv, 7608xsv, 7410xsv, 7610xsv	2
1020, 1040, 4010, 4210, 7412xsv, 7612xsv	3
4012, 4212, 5012, 5212, 8012, 8212	4
5015, 5215, 7015, 7215, 7416xsv, 7616xsv, 8015, 8215, 8617	5

HUMMINBIRD

	Pod Box Size #
Helix 5, 500 Series, 700 Series	1
Helix 7, 800 Series, 900 Series, ONIX 8, ONIX 10	2
Helix 9, Helix 10, ION 10, 1100 Series, Solix 12, Solix 12SI	3
Helix 12, ION 12	4

LOWRANCE

	Pod Box Size #
HDS-5, HDS-5M, HDS-5X, HDS-7, HDS-7 Gen3, HDS-7M, Elite 7, Elite-5Ti, Elite-7Ti	1
HDS-8, HDS-8M, HDS-9, HDS-9 Gen3, Elite-9Ti, Hook 7, Hook 7x, Hook 9, Hook 9x, Elite 9, Elite 9x	2
HDS-10, HDS-10M, HDS-12 Gen2, HDS-12 Gen3, Elite-12Ti	3

RAYMARINE

	Pod Box Size #
a65, a67, a68, a75, a77, a78, e7, e7D, Axiom 7	1
eS97, eS98, a95, a97, a98, gS95, eS75, eS77, eS78, c95, c97, e95, e97, Axiom 9	2
Axiom 12, c125, c127, e125, e127, a125, a127, a128, gS125	3
eS127, eS128	4
e165, gS165	5

SIMRAD

	Pod Box Size #
NSS7, NSS7 evo2, NSS7 evo3, GO5 XSE, GO7 XSE	1
NSS8, NSE8, NSS9 evo2, GO9 XSE	2
NSS12 Evo 2	3
NSS12, NSE12, MO16-T, MO16-P	4

SITEX

	Pod Box Size #
SVS-560CF, EC5E, EC5I, EC5FE, EC5FI, SNS 700	1
EC7E, EC7I, EC7FE, EC7FI	2
EC11, SNS 1100	4

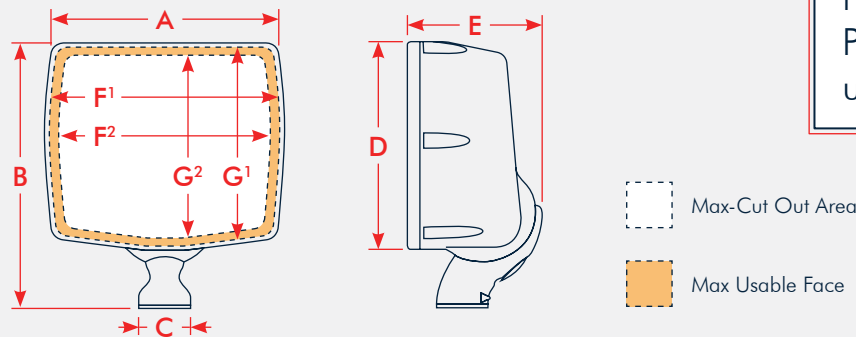
STANDARD HORIZON

	Pod Box Size #
CP150, CP150C, CP155C, CP170C, CP175C, CPN700i, CP190i, CP390i, CPF190i	1
CPF180i, CPF300i, CPN1010i	2
CP1000C, CP590	3

ICOM

	Pod Box Size #
MA-500TR	1
MXD5000	4

DIMENSIONS



NOTE: Electronics change often. Please refer to website for most up to date reference guide.

	A	B	C	D	E	F ¹	F ²	G ¹	G ²
	inch/mm	inch/mm	inch/mm	inch/mm	inch/mm	inch/mm	inch/mm	inch/mm	inch/mm
PODW-1-UC	10 / 254	14 / 355.6	4 / 101.6	10 / 254	8.2 / 208.3	9.5 / 241.29	9 / 228.6	8.5 / 215.89	8.5 / 215.89
PODW-2-UC	13 / 330	14.5 / 368.3	4 / 101.6	9.5 / 241.3	8.2 / 208.3	12.5 / 317.5	12.125 / 307.97	9.25 / 234.95	9 / 228.6
PODW-3-UC	15 / 381	15 / 381	4 / 101.6	10 / 254	8.2 / 208.3	14.25 / 361.95	13.875 / 352.42	9.5 / 241.29	9.5 / 241.29
PODW-4-UC	17 / 431.8	17 / 431.8	4 / 101.6	11.5 / 292.1	8.2 / 208.3	16.25 / 412.75	15.875 / 403.22	11.5 / 292.09	11.5 / 292.09
PODW-5-UC	18.5 / 470	20.5 / 520.7	4 / 101.6	15 / 381	9.6 / 243.8	17.25 / 438.15	17.5 / 444.5	14.75 / 374.65	14.5 / 368.29

SAIL PODS

FOR MOST INSTRUMENTS AND DISPLAYS

SPOD



UV resistant
ABS plastic

GORE™
protective vent

Water tight gasket



The **SP1BOX** is an add-on accessory that allows you to mount additional instruments to your SPOD. This optional add-on will fit single instruments 4.125" x 4.125" or smaller. Depending on the pod box size you can fit up to 4 of these onto a single SPOD.

PRECISE VIEWING

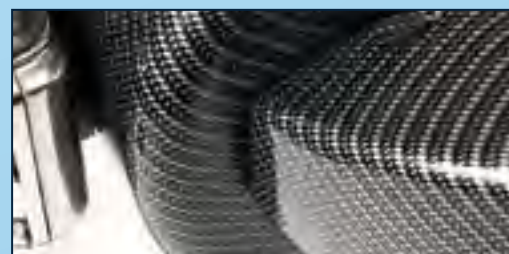
The Seaview **SPOD** fits the majority of steering gear in the market place including Jefa, Whitlock and Edson.

- Clamps onto 1", 1½" or 1¼" rails
- Fits standard 12", 9½" & non standard guard rails
- UV resistant ABS plastic
- Water tight gasket
- Tamper resistant security screws



Two high polished stainless steel clamps are used to secure your SPOD to a 1", 1½" or 1¼" (25mm to 32mm) rails.

The SPOD fits standard 12", 9½" and non standard guard rails.



Carbon fiber look available upon special request. Contact Seaview for more information.

ACHIEVE THE PERFECT VIEW

The SPOD has a wide mounting angle, allowing for precise viewing. Angle is set during installation.



DECK PODS

FOR MOST INSTRUMENTS AND DISPLAYS

DPOD



Anodized aluminum rotating base

Water tight gasket

QUICK ON THE FLY ADJUSTMENTS

When you are just about to catch a huge one the last thing you want to worry about is adjusting your fish finder. With the quick adjustment knob on the **DPOD** simply pull the knob out and rotate.

- Rotates up to 350°
- Anodized aluminum base
- UV protected ABS plastic housing
- Water tight gasket
- Tamper resistant security screws



Simply pull the secure bolt out and rotate the DPOD up to 350°.

Use the reference guide on page 33 to find the correct SPOD and DPOD for you.



Tamper proof screws are used to secure the UV protected ABS plastic housing of the SPOD, DPOD and Rail Pods.

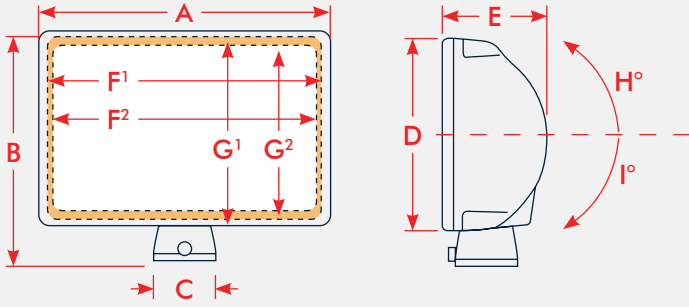


The **SP1BOX** is an add-on accessory that allows you to mount additional instruments to your DPOD. This optional add-on will fit single instruments 4.125" x 4.125" or smaller. Depending on the pod box size you can fit up to 4 of these onto a single DPOD.

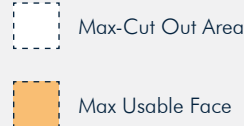
The image to the left is of a SP2P with two SP1BOX.

SAIL, DECK & RAIL POD

PART NUMBER GUIDE



Note: All pods are uncut. Seaview can pre-cut upon request.



NOTE: Electronics change often. Please refer to website for most up to date reference guide.

	A	B	C	D	E	F ¹	G ¹	F ²	G ²	H	I	
	inch / mm	inch / mm	inch / mm	inch / mm	inch / mm	inch / mm	inch / mm	inch / mm	inch / mm			
Overall Dimensions												
SPOD / RAIL POD	SP1S	5.04 / 127.97	NA	NA	5.16 / 131.14	3.125 / 79.38	4.63 / 117.47	4.63 / 117.47	4.125 / 104.77	4.125 / 104.77	NA	NA
	SP2S / SP2S1	12.30 / 312.55	NA	NA	7.56 / 191.89	5.08 / 129.03	11.75 / 298.45	7 / 177.80	11 / 279.40	6.125 / 155.57	26°	12°
	SP3S / SP3S1	14.25 / 361.95	NA	NA	9.5 / 241.30	5.15 / 130.73	13.75 / 349.25	9 / 228.60	12.94 / 328.63	8.125 / 206.37	32°	30°
	SP4S	17.5 / 444.50	NA	NA	12.75 / 323.85	5.7 / 144.78	16.94 / 430.23	12.25 / 311.15	16 / 406.40	11.25 / 285.75	10°	7°
	SP5S / SP5S1	15.25 / 387.35	NA	NA	5.5 / 139.70	3.19 / 80.90	14.75 / 374.65	5 / 127	13.88 / 352.42	4.125 / 104.77	6°	6°
DPOD	SP2P	12.30 / 312.55	9.37 / 238	4 / 101.6	7.56 / 191.89	5.08 / 129.03	11.75 / 298.45	7 / 177.80	11 / 279.40	6.125 / 155.57	NA	NA
	SP3P	14.25 / 361.95	11.31 / 287.27	4 / 101.6	9.5 / 241.30	5.15 / 130.73	13.75 / 349.25	9 / 228.60	12.94 / 328.63	8.125 / 206.37	NA	NA
	SP5P	15.25 / 387.35	7.31 / 185.67	4 / 101.6	5.5 / 139.70	3.19 / 80.90	14.75 / 374.65	5 / 127	13.88 / 352.42	4.125 / 104.77	NA	NA
Accessory												
SP1BOX	5.04 / 127.97	NA	NA	5.16 / 131.14	3.125 / 79.38	4.63 / 117.47	4.63 / 117.47	4.125 / 104.77	4.125 / 104.77	NA	NA	

PART NUMBER GUIDE	SPOD	DPOD	RAIL POD
B&G			
Vulcan 5, Vulcan 7, Zeus2 W7, Z7, Touch 7, Zeus3 7, Zeus2 9 (W9), Zeus3 9, H5000	SP2S	SP2P	SP2S1
Vulcan 9, Z8, Touch 8	SP3S	SP3P	SP3S1
Zeus2 12 (Z12), Touch 12, Zeus3 12, T12, Zeus2 Glass Helm ZM 16	SP4S	—	—
FURUNO			
GP39, GP1670, GP1670F, GP1870, GP1870F, GP7800	SP2S	SP2P	SP2S1
GP170, GP170D, GS100, 1623, 1715	SP3S	SP3P	SP3S1
TZTL12F, MFD12	SP4S	—	—
GARMIN			
echoMAP 50 series, echoMAP 70 series, echoMAP 90 series, Striker 5, Striker 7, 527, 547, 620, 640, 720, 721, 740, 741, 70s, 7407xsv, 7607xsv, 7408xsv, 7608xsv	SP2S	SP2P	SP2S1
820, 840, 4008, 4208, 5008, 5208, 7410xsv, 7610xsv, 7412xsv, 7612xsv	SP3S	SP3P	SP3S1
1020, 1040, 4010, 4210, 4012, 4212, 5012, 5212, 8012, 8212, 7416xsv, 7616xsv, 8012, 8215	SP4S	—	—
HUMMINBIRD			
Helix 5, 500 Series, 700 Series, Helix 7, 800 Series, 900 Series	SP2S	SP2P	SP2S1
Helix 9, Helix 10, ONIX 8, ONIX 10	SP3S	SP3P	SP3S1
ION 10, ION 12, 1100 Series, Helix 12, Solix 12, Solix 12SI, Solix 15, Solix 15SI	SP4S	—	—
LOWRANCE			
HDS-5, HDS-5M, HDS-5X, HDS-7, HDS-7 Gen 3, HDS-7M, Elite 7, Elite-5Ti, Elite-7Ti, HDS-9, HDS-9 Gen3, Elite-9Ti, Hook 7, Hook 7x, Hook 9, Hook 9x, Elite 9, Elite 9x	SP2S	SP2P	SP2S1
HDS-8, HDS-8M, HDS-10, HDS-10M, HDS-12 Gen2, HDS-12 Gen3, Elite-12Ti	SP3S	SP3P	SP3S1

PART NUMBER GUIDE	SPOD	DPOD	RAIL POD
RAYMARINE			
a65, a67, a68, a75, a77, a78, e7, e7D, Axiom 7, eS75, eS77, eS78, c95, c97, e95, e97, Axiom 9	SP2S	SP2P	SP2S1
eS97, eS98, a95, a97, a98, gS95, Axiom 12	SP3S	SP3P	SP3S1
c125, c127, e125, e127	SP3SR12	SP3PR12	CALL
a125, a127, a128, eS127, eS128, gS125, e165, gS165	SP4S	—	—
SIMRAD			
NSS7, NSS7 evo2, NSS7 evo3, GO5 XSE, GO7 XSE, NSS9 evo2, NSS9 evo3	SP2S	SP2P	SP2S1
GO9 XSE, NSS8, NSE8	SP3S	SP3P	SP3S1
NSS12, NSE12, NSS12 Evo 2, NSS12 Evo 3, MO16-T, MO16-P	SP4S	—	—
SITEX			
SVS-560CF, EC5E, EC5I, EC5FE, EC5FI, SNS 700	SP2S	SP2P	SP2S1
EC7E, EC7I, EC7FE, EC7FI	SP3S	SP3P	SP3S1
EC11, SNS 1100	SP4S	—	—
STANDARD HORIZON			
CP150, CP150C, CP155C, CP170C, CP175C, CPN700i, CP190i, CP390i, CPF190i, CPF180i, CPF300i	SP2S	SP2P	SP2S1
CPN1010i, CP1000C	SP3S	SP3P	SP3S1
CP590	SP4S	—	—
ICOM			
MA-500TR	SP2S	SP2P	SP2S1
MXD5000	SP4S	—	—

RAIL POD

FOR MOST INSTRUMENTS AND DISPLAYS

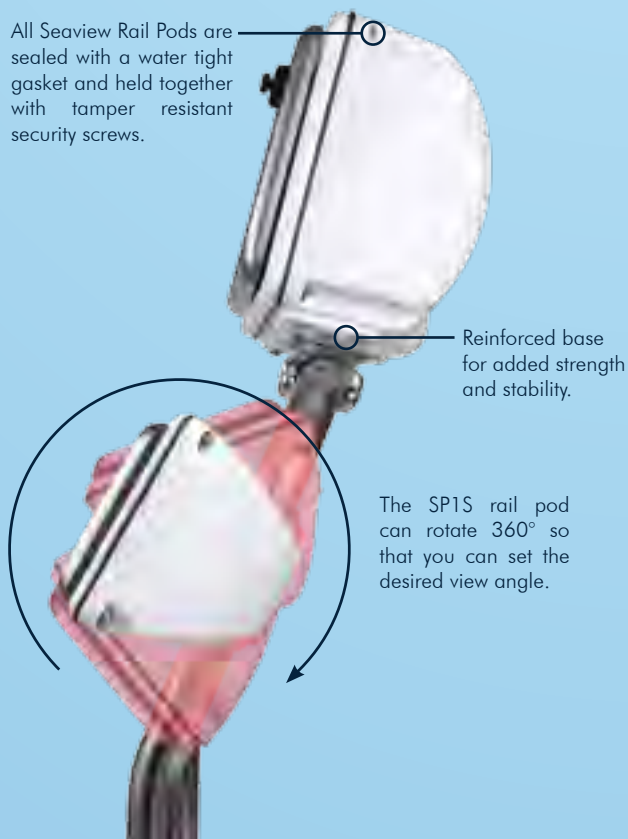
OPTIMIZE YOUR VIEW

Seaview offers a solution to the age old problem of figuring out where to mount all your instruments on your sailboat. The Rail Pod allows you to mount smaller displays and instruments directly to the rail. Allowing you to position the instrument where it is most optimal for you.

- Fits 1", 1 1/8" or 1 1/4" rails
- Cables routed internally through the clamp and into the rail
- UV protected ABS plastic housing
- Water tight gasket
- Tamper resistant security screws



All Seaview Rail Pods are sealed with a water tight gasket and held together with tamper resistant security screws.



FAQ's

1. Will Seaview Rail Pod fit my electronic device?

Yes, several pod box sizes to fit your electronic device. Plus with the accessory pod option you are able to mount small screens just about anywhere.

2. Is it easy to install your instrument pods?

Seaview instrument pods are very easy to install and only requires basic tools and a drill.

3. Are these durable?

Yes! Our pods are made from UV resistant ABS plastic. The clamps are made from 316 stainless steel. So you can be sure our pods can withstand the harshest of conditions.

4. Will the instrument pod protect my electronic instrument?

Yes, our instrument pods use a rubber gasket to keep water out. A GORE™ vent also lets hot air out without letting water in. Tamper resistant screws are also used to hold everything together.

5. Are these instrument pods uncut or pre-cut?

For ease of stocking purposes Seaview instrument pods are uncut. We do offer a pre-cut service however.

“ The Seaview cable gland model CG30AB that we used is ideal, easy to install and matched the other Yamaha and Uflex through holes. This is a new product that improves on other designs, looks good and works well. ”

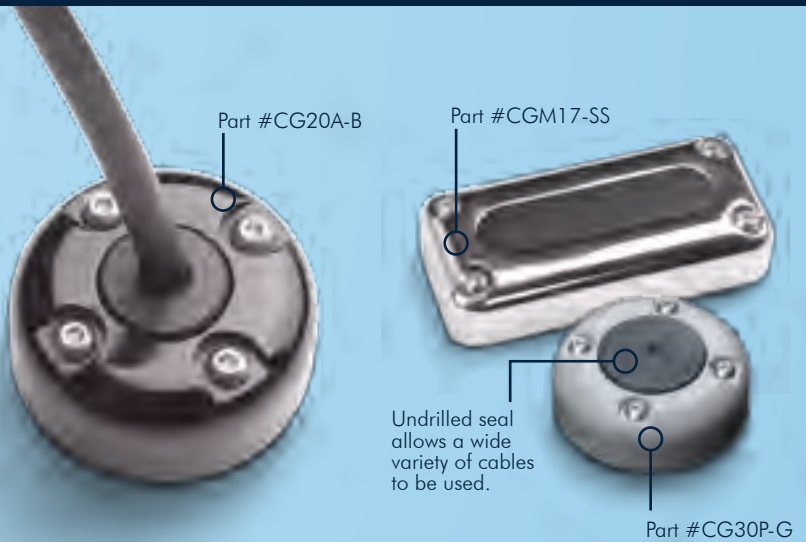
Rob Bright
Pacific Yacht Management

*Image courtesy of Pacific Yacht Management.
(CG30A-B Cable Gland shown)*



CABLE GLAND

FOR MARINE ELECTRONIC CABLES



WATERTIGHT INSTALLATION FOR YOUR MARINE ELECTRONIC CABLES.

The Cable Glands provide waterproof cable routing and are made of:

- UV stable glass filled (GF) ABS plastic
- 316 stainless steel
- Black anodized aluminum

Each style has options for 17mm to 31mm (0.67" to 1.25") connectors, making it ideal for almost every installation.

EASY INSTALLATION

Each cable gland is supplied with a rubber seal that has a molded location to drill and cut. Captive nuts make for easy assembly. Cable connectors do not need to be removed during installation.

WATERTIGHT INSTALLATION

Tapered rubber seal forms watertight installation. Base gasket also provided for clean, watertight installation. Waterproof rating of IPX6 and IPX7.

IMPROVED SHAPE & DESIGN

Low profile design for a strong, impact-resistant and clean installation (no sharp edges to hit your foot on). Unlike other brands, our inner rubber seal is flush with the top of the cable gland so that water does not have a place to collect.

STANDARD FINISHES



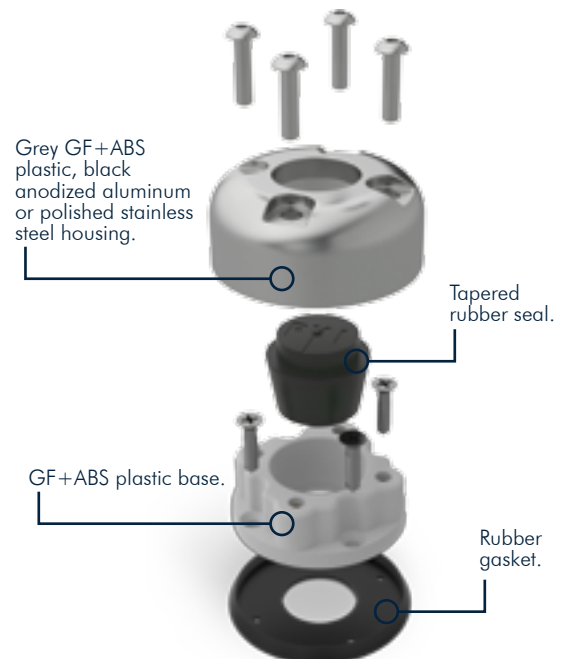
CUSTOM FINISHES

Many other finishes available upon special request. (A few examples shown below)



CABLE GLAND PART NUMBER GUIDE

# OF CABLES	COLOR / MATERIAL	CONNECTOR SIZE	CABLE SIZE			
			0.08" - 0.39" (2 - 10mm)	0.08" - 0.59" (2 - 15mm)	0.08" - 0.67" (2 - 17mm)	
	Grey ABS Plastic	Up to 0.81" (20mm)	CG20P-G	NA	NA	
	Black Anodized Aluminum	Up to 0.81" (20mm)	CG20A-B	NA	NA	
	Polished Stainless Steel	Up to 0.81" (20mm)	CG20-SS	NA	NA	
		Up to 1.25" (31mm)	0.08" - 0.59" (2 - 15mm)			
			0.08" - 0.67" (2 - 17mm)			
			Grey ABS Plastic	—	CG30P-G	NA
Black Anodized Aluminum	—	CG30A-B	NA			
Polished Stainless Steel	—	CG30-SS	NA			
		Up to 0.67" (17mm)	0.08" - 0.67" (2 - 17mm)			
			Grey ABS Plastic	—	—	CGM17P-G
			Black Anodized Aluminum	—	—	CGM17A-B
Polished Stainless Steel	—	—	CGM17-SS			



“ As a semi-custom yacht builder, Kadey-Krogen Yachts requires vendors to provide superior quality products, custom built to order and within the needed timeframe to keep our production moving. PYI does all that, while also providing excellent engineering support and customer service support before and after the product is complete. ”

Tom Button
VP Operations
Kadey-Krogen Yachts, Inc.

Image courtesy of Kadey Krogen.
(Seaview builds arch and mastis for Kadey Krogen)



Image courtesy of Protector USA Inc.

“ Seaview by PYI provides our customers with a simple and elegant solution for our boats. Seaview has also provided us with very punctual service when it comes to custom modifications to their mounting solutions. ”

Andrew Carleton
Protector USA Inc.

PERSONALIZED OPTIONS

COMPLETE PERSONALIZED DESIGN & PRODUCTION



FIRST SKETCH

A quick sketch over the phone going over what you want to look like.



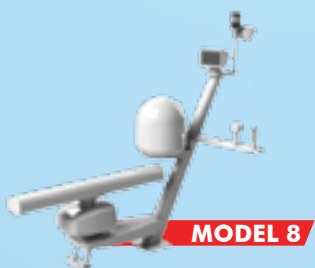
DESIGN

Dimensional CAD drawing along with a 3D view as seen in examples below are provided to the customer for review.

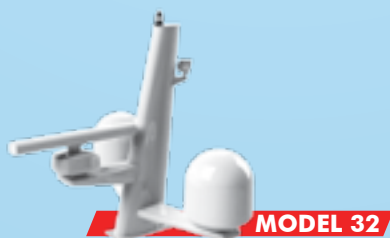


FINISHED MOUNT

Allow for 4 weeks to complete personalized mount.



Here are some examples of personalized mounts that we have done in the past.



A Seaview custom arch for a Beneteau 58

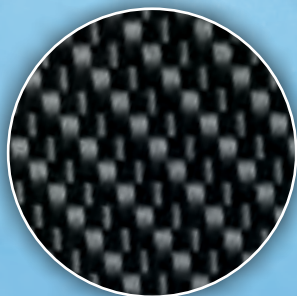
CUSTOM FINISHES

JUST ABOUT ANY CUSTOM FINISH YOU CAN IMAGINE!



EXAMPLE FINISHES

(Many more options available)



**Carbon Fiber
Finish**



**Wood
Finish**



**Camouflage
Finish**

Do you have a custom look on your boat and want your Seaview mount to match? Seaview can put on just about any custom finish you can think of, from carbon fiber to wood grain. Contact Seaview for more information.

“With new electronics coming out all the time and installations getting even more complex we are always looking for innovative ways to mount everything. For our clients there is nothing worse than simple “bolt ons”. Seaview offers a wide variety of options that are customizable and adaptable to meet the needs of virtually every installation with the added bonus of quality and style that are second to none. That is what our customers demand and why Seaview is our solution.”

Todd Albrecht
Vice President
Jupiter Marine



TESTIMONIALS

HERE'S WHAT THEY HAVE TO SAY ABOUT



Raymarine® BY FLIR

"Seaview has been a tremendous help to Raymarine USA on all of our demonstration boat projects. These high-performance boats make appearances at boat shows, industry events, fishing tournaments, on TV, and at lots of other high-impact events. Both consumers and members of the boating press and media come onboard to see the latest Raymarine technologies in action.

We rig them to be "dream boats" with every conceivable option and technology. Seaview's flexible line of electronics mounting solutions makes it easy to fit our full system including radar, satellite TV and thermal night vision. Their customizable masts and mounts are rugged, reliable and they look fantastic too. They blend seamlessly with the design of today's modern sport-fishing boats and look totally built-in, not bolt-on. That's really appreciated by the boat builders we work with on these projects too.

Another thing that always impresses is Seaview's ability to deliver their systems quickly and accurately. No matter what combination of scanners, sensors and antennas I need to mount topsides, Seaview's team always seems to have the correct parts ready to go, and they deliver them on-time. The Seaview team is truly a pleasure to work with."

Jim McGowan
Americas Marketing Manager
FLIR Maritime and Raymarine

GARMIN™

Garmin is proud to work with Seaview by PYI and we'd recommend them as a partner to do business with. In today's market, customer expectations are at an all-time high and aesthetics and functionality are at the forefront. Seaview has a proven track record of consistently delivering a professional and reliable product, and because of that, Garmin incorporates their products as often as we can in our demo boats and trade show displays.

David Dunn
Garmin Sr. Manager Marine Sales & Marketing

SI-TEX KODEN

"We have been working with PYI Seaveiw for a number of years now. Whenever a customer calls our SI-TEX Customer Service department and asks us to recommend a supplier for a Radar Antenna Mount, we instantly recommend PYI Seaveiw. Our experience working with PYI Seaveiw makes us very confident that they will have the right radar antenna mount for the customers installation no matter what type of boat it is or the size of the radar antenna."

Jason, and the staff at PYI Seaveiw go above and beyond researching all of our different SI-TEX and Koden radar antennas each year to make sure they will always have the right product for our customers.

Allen Schneider
Vice President
SI-TEX Marine Electronics

SIMRAD

"I've had Seaview radar mounts on my boats for many years. I've never had any issues with my existing products! Whether I'm fitting out a new boat or upgrading the radar on my current boat, the customer service level is always at the highest possible level. The team at Seaview helps ensure I'm finding the right product for my application. It's always a pleasure working with the Seaview team & I would recommend their products to any of our Simrad customers."

Louis Chemi
EVP & Managing Director, Recreational Marine Division
Lowrance, Simrad, B&G

FURUNO

PYI has been an excellent company for Furuno to work with for a number of years. Their off the shelf solutions have been fool-proof and we don't hesitate to recommend them for any boater. It's a very responsible company. Jason and the PYI team recently helped us on very short notice with a one-off, custom mount for a tricky demonstration and it went off on-time, under budget and without any problems at all. You can be confident you're getting great products and great support with PYI!

Matt Wood
National Sales Manager
Furuno USA

SEAVIEW
IS PROUD
TO SUPPORT
THE WORLD'S
LEADING
MARINE
ELECTRONIC
MANUFACTURERS.
HERE IS WHAT SOME
OF THEM HAVE TO SAY
ABOUT US!



Intellian

"Intellian is happy to work with Seaview to provide our customers with a professional, stylish and cost effective mounting solution for the complete range of Satellite TV and Communication products."

Paul Comyns
VP Global Marketing
Intellian



Our customers have nothing but great things to say about Seaview products. They are well designed and look great, complimenting many of our KVH antennas well. With all the mounting options available for KVH products, Seaview is the recommended choice for any installation.

Ryan Smith
Leisure Marine - National Sales Manager
KVH Industries, Inc.

Image courtesy of Thunderbird.
(Seaview PMA-DM2-M2 and LTB-S)