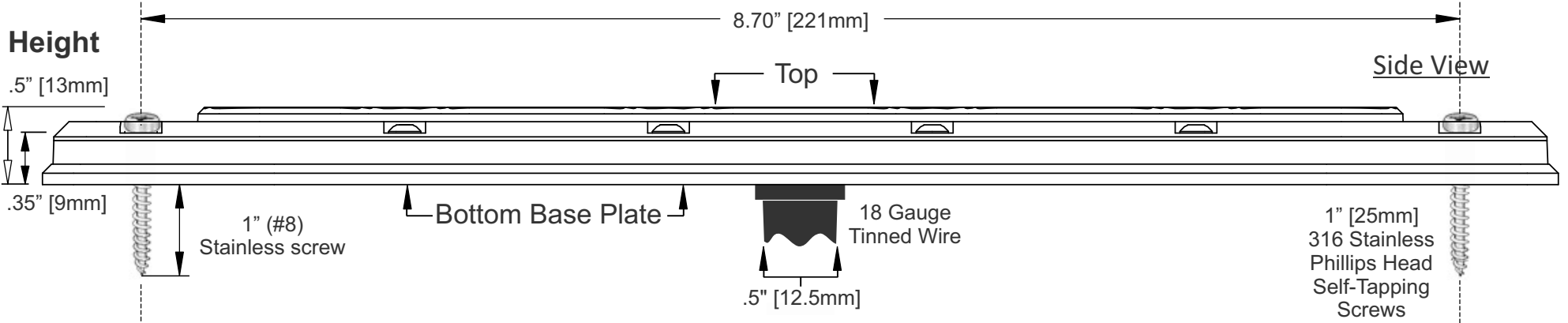
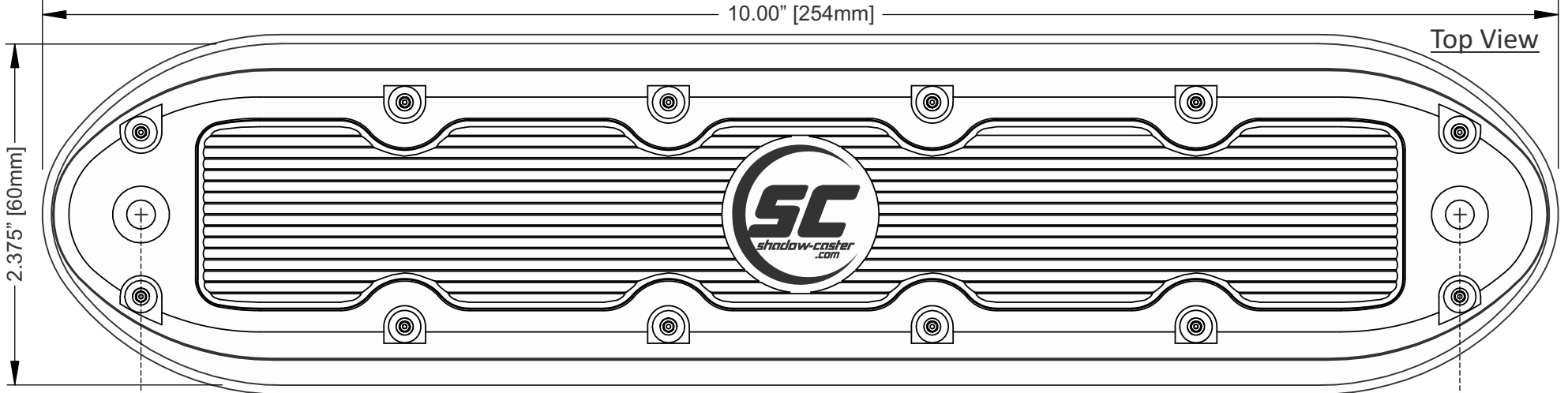


WARNING! Do Not Use ACETONE To Clean The Polycarbonate Lens. Use Alcohol and Soft Cloth.

SCM-CC/SCM-10



PLEASE READ INSTRUCTIONS INSIDE TEMPLATE



TAPE HERE

TAPE HERE

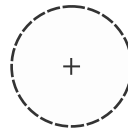
FOR CENTER WIRE HOLE USE THE FOLLOWING:

DO NOT USE TEMPLATE TO MARK SCREW HOLES

1st - DRILL PILOT HOLE AT CENTER FOR THE WIRE, THEN USE 5/8" DRILL ALL THE WAY THROUGH

DO NOT USE TEMPLATE TO MARK SCREW HOLES

WHEN PRE-DRILLING SCREWS:
FIRST PRE-DRILL CENTER HOLE AND RUN WIRE. THEN MARK YOUR SCREW HOLES WITH DRILL BIT OR PENCIL WHILE USING ACTUAL LIGHT HOUSING



SCM-CC™/SCM-10™
Typical Power Requirements
3.5 Amps@12v

WHEN PRE-DRILLING SCREWS:
FIRST PRE-DRILL CENTER HOLE AND RUN WIRE. THEN MARK YOUR SCREW HOLES WITH DRILL BIT OR PENCIL WHILE USING ACTUAL LIGHT HOUSING

2nd - RUN WIRE THROUGH THE HOLE AND MARK ONE MOUNTING HOLE LOCATION
3rd - FOLLOW STEPS ON FRONT OF SHEET FOR DRILLING MOUNTING HOLES

TAPE HERE

TAPE HERE

Scale 1:1 (If in doubt ask)

Rely on premium boat underwater lights by Shadow Caster if you're looking for quality and efficiency.