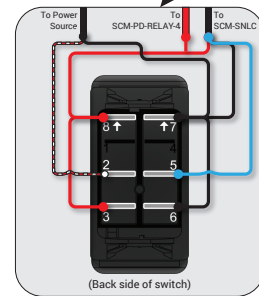
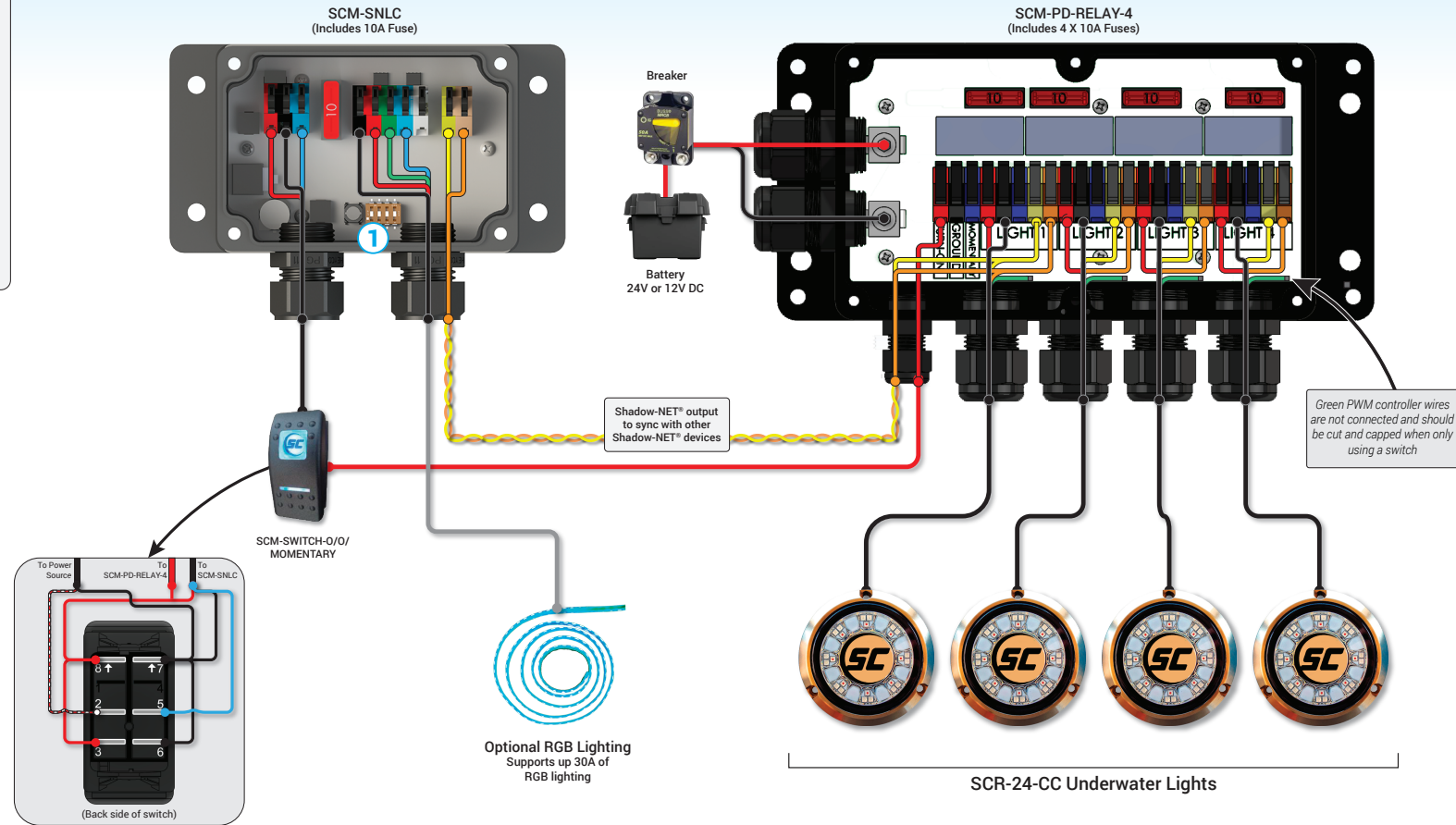


# SCM-SNLC & SCM-PD-RELAY-4 with SCR-24-CC Underwater Lights



## HOW TO OPERATE

1. Toggle power to change color or color rotation.
2. Press button to change mode from solid color to single color fade / multi-color change / multi-color fade.
3. Press and hold button to change brightness.



Optional RGB Lighting  
Supports up to 30A of RGB lighting

## 1 SCM-SNLC-LC DIP SWITCH SETTINGS (from left to right counting up)

	1	2	3	4
↑	Not Used	Color	Master (Normal Operation with a Switch)	RGB
↓	Not Used	Blue/White only	Listen only	RGBW

■ Indicates recommended settings for this installation

# SCM Switch with SCM-PD-RELAY-4 and 4 X SCR-24 Underwater Lights

## HOW TO OPERATE

### Power Toggle Control

Step to the next color or brightness level.

### Push Button Control

Press button to access light 'Modes' such as fade and strobe.

