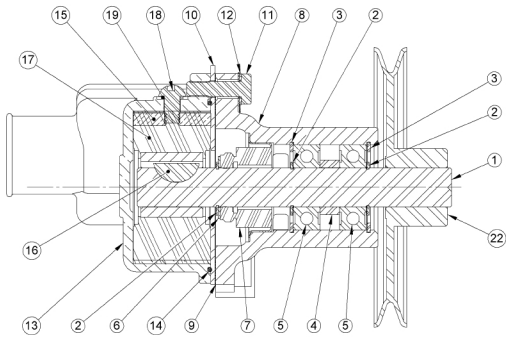
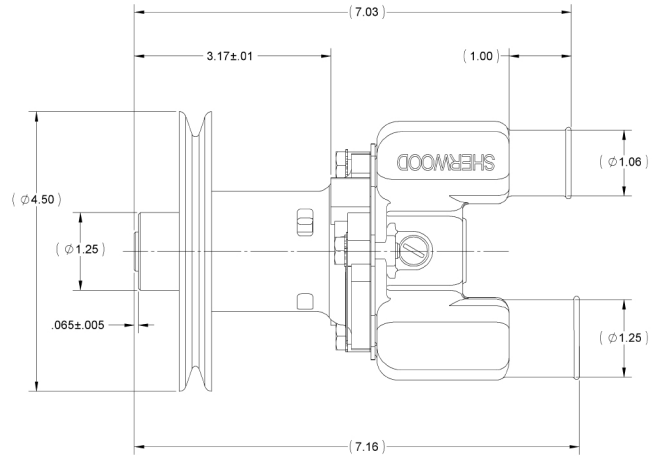


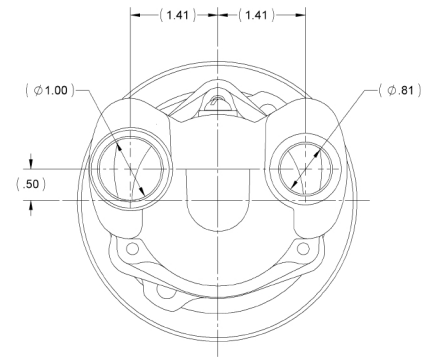
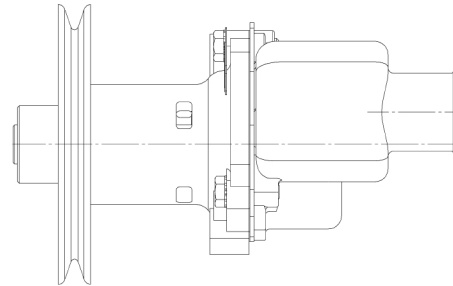
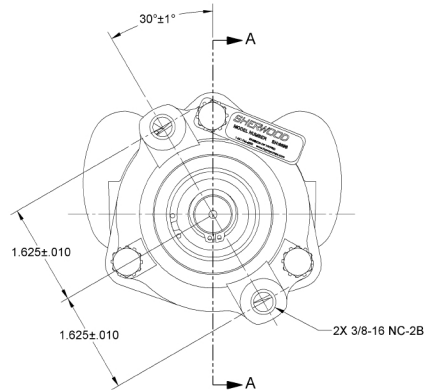
ITEM NO.	PART NUMBER	DESCRIPTION	QTY.
1	13363	SHAFT	1
2	04258	EXT. RETAINING RING	3
3	04259	INT. RETAINING RING	2
4	05133	SPACER	1
5	12211	BALL BEARING	2
6	04264	FLAT WASHER	1
7	12314	TYPE 6A SEAL/SEAT ASSY	1
8	21759	BODY - MACHINED	1
9	12855	GASKET	1
10	12856	WEAR PLATE	1
11	12857	1/4-20 HHCS	3
12	21757	LOCKWASHER EXT TOOTH	3
13	21151	HOUSING	1
14	12231	O-RING	1
15	15883	CAM	1
16	04432	WOODRUFF KEY	1
17	09959	RUBBER IMPELLER	1
18	19995	SCREW 1/4-20 ROUND HD	1
19	19996	CAM WASHER	1
20	13285	TAG	1
21	23093	LABEL	1
22	21175	PULLEY	1

NOTES:

1. APPLY BEAD OF PERMATEX AROUND THREADED HOLE IN CAM PRIOR TO ASSEMBLY, (ITEM 15).
2. USE WATER ONLY WHEN INSTALLING SEAL/SEAT ASSY, (ITEM 7).
3. USE COOLANT TO AID IN INSTALLATION OF RUBBER IMPELLER, (ITEM 17).
4. TORQUE 1/4-20 HHCS TO 5 - 8 FT/LBS, (ITEM 11).
5. PRESSURE TEST PUMP TO 20 - 30 PSI.
6. PRINT ON LABEL, (ITEM 21).
G9903
DATE CODE



SECTION A-A



C				B				A				REV.			
4527	REMOVED 1225A SEAL ASSY, REDRAWN	FEB	11/05/2007	4907	CHANGE BEARING TO 12211, WAS 2344B	RE	4/05/2008	5119	UPGRADE BODY	DV	06/05/02				
PART DESCRIPTION												CHKD	DATE		

SHERWOOD		REPLACES PART NO.	REV.
DRAWING BASED ON ASME Y14.0M-1994 (DO NOT SCALE PRINT)		DWG BY:	EW
THIRD ANGLE PROJECTION		CHECKED BY:	TLG
SCALE	SHEET NUMBER	APPROVED BY:	DATE
1:1	1 OF 1		
PART DESCRIPTION		PART NUMBER	REV.
RUBBER IMPELLER PUMP ASSY		G9903	C