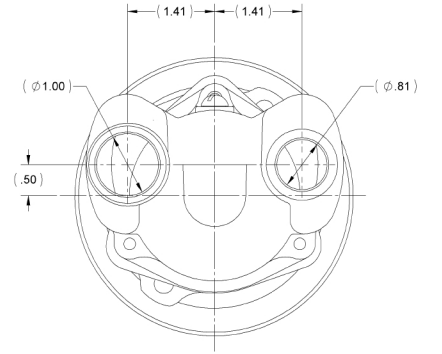
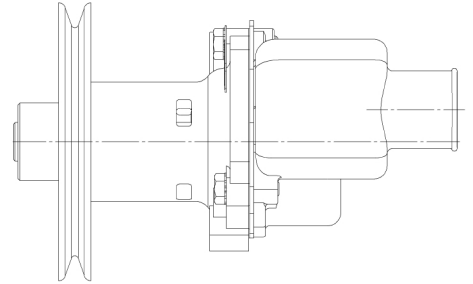
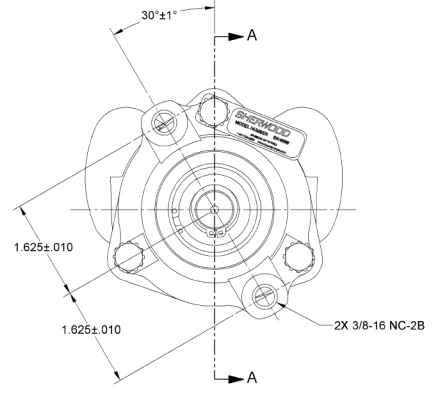
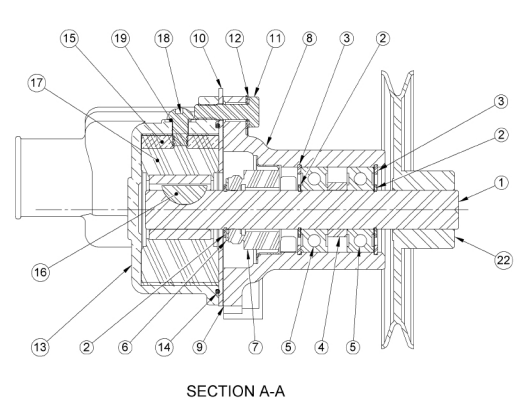
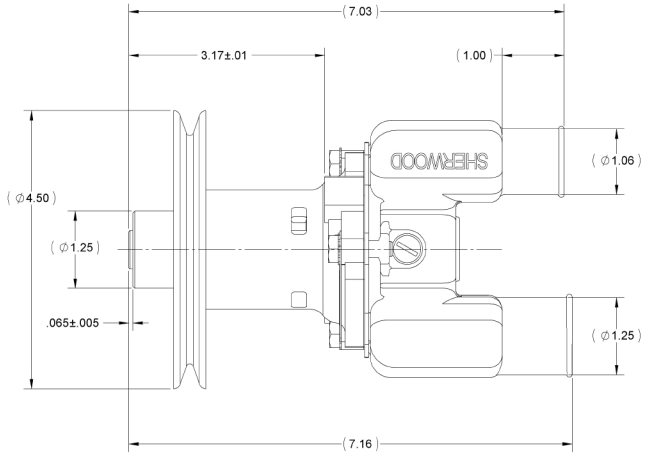


ITEM NO.	PART NUMBER	DESCRIPTION	QTY.
1	13363	SHAFT	1
2	04258	EXT. RETAINING RING	3
3	04259	INT. RETAINING RING	2
4	05133	SPACER	1
5	12211	BALL BEARING	2
6	04264	FLAT WASHER	1
7	12314	TYPE 6A SEAL/SEAT ASSY	1
8	21759	BODY - MACHINED	1
9	12855	GASKET	1
10	12856	WEAR PLATE	1
11	12857	1/4-20 HHCS	3
12	21757	LOCKWASHER EXT TOOTH	3
13	21151	HOUSING	1
14	12231	O-RING	1
15	15863	CAM	1
16	04432	WOODRUFF KEY	1
17	09959	RUBBER IMPELLER	1
18	19995	SCREW 1/4-20 ROUND HD	1
19	19996	CAM WASHER	1
20	13285	TAG	1
21	23083	LABEL	1
22	21175	PULLEY	1

NOTES:

1. APPLY BEAD OF PERMATEX AROUND THREADED HOLE IN CAM PRIOR TO ASSEMBLY. (ITEM 15).
 2. USE WATER ONLY WHEN INSTALLING SEAL/SEAT ASSY. (ITEM 7).
 3. USE COOLANT TO AID IN INSTALLATION OF RUBBER IMPELLER. (ITEM 17).
 4. TORQUE 1/4-20 HHCS TO 5 - 8 FT/LBS. (ITEM 11).
 5. PRESSURE TEST PUMP TO 20 - 30 PSI.
 6. PRINT ON LABEL. (ITEM 21).
- G9903
DATE CODE



C	4027	REMOVED 12256 SEAL ASSY. REDRAWN	REB	11/20/2007			
B	4907	CHANGE BEARING TO 12211. WAS 23448	RE	6/30/2005			
A	E1119	UPDATE BOM	DV	8/6/2002			
REV	62X	REVISION DESCRIPTION	CHKD	DATE			

SHERWOOD

REPLACES PART NO. _____ REV. _____

DWG BY: EW
CHECKED BY: TLG

APPROVED BY: _____

THIS DRAWING IS THE PROPERTY OF HYDRO-TECH, INC. AND WITHOUT WRITTEN AUTHORIZATION, IT MUST NOT BE COPIED OR COMMERCIALIZED.

PART NUMBER: G9903 REV. C

DRAWING BASED ON ASME Y14.5M-1994 DO NOT SCALE PRINT

THIRD ANGLE PROJECTION

SCALE: 1:1 SHEET NUMBER: 1 OF 1

PART DESCRIPTION: RUBBER IMPELLER PUMP ASSY

Looking for dependable boat parts and hardware? Rely on Sherwood Pumps for quality and long-lasting products.