

SHOCKWAVE

PROPRIETARY AND CONFIDENTIAL

NOTICE: THIS DRAWING MAY REVEAL DESIGNS OR INFORMATION PROPRIETARY TO PROFESSIONAL COMPONENTS LTD. BY ACCEPTANCE OF REPRODUCTIONS, RECIPIENTS AGREE TO PROTECT PROFESSIONAL COMPONENTS LTD. RIGHTS AND ARE WARNED AGAINST USE OF THE DOCUMENT FOR ANY PURPOSE OTHER THAN THAT FOR WHICH IT WAS ISSUED.

SW-05026

S5-PRO MODULE

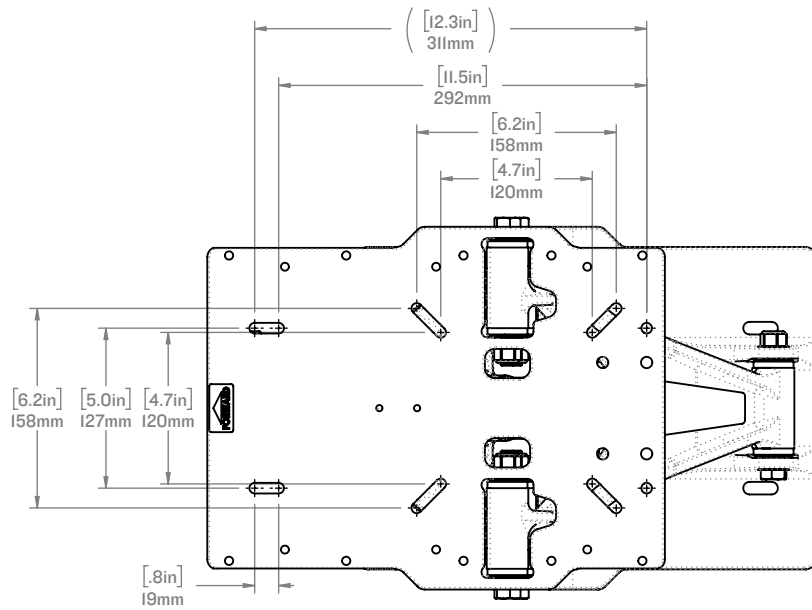
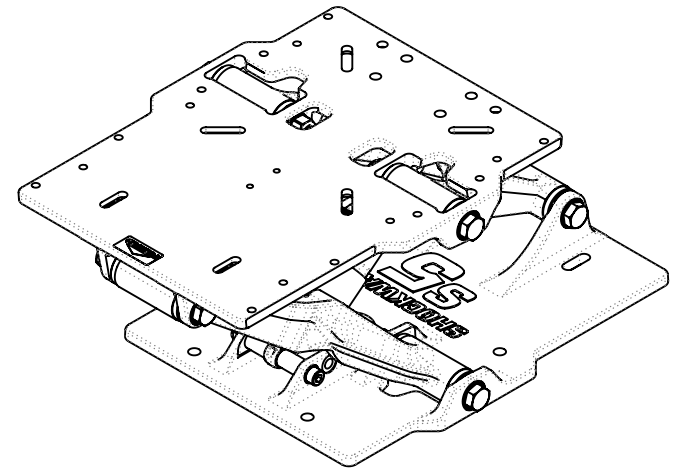
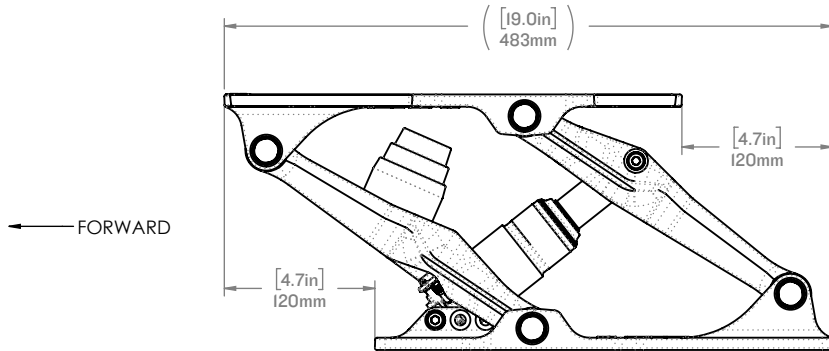
WEIGHT: [13.6lbs] 6.15 kg

SCALE:1:6

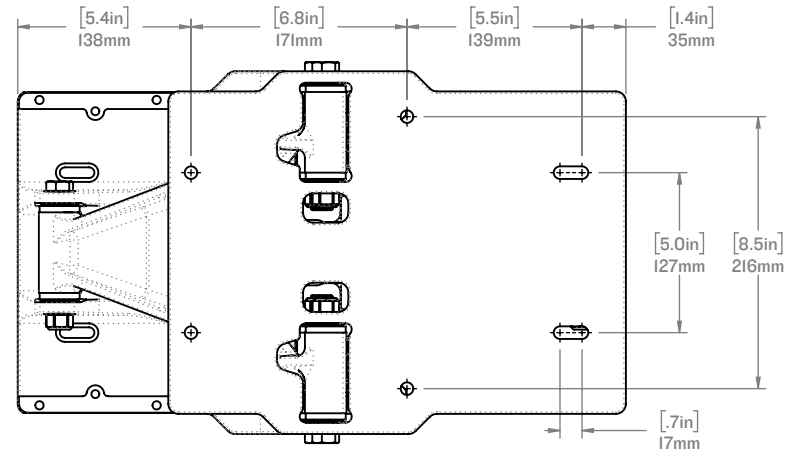
SHEET 1 OF 1

REV:06

If you're looking for quality boat seating & accessories, visit our website.



TOP PLATE
MOUNTING PATTERN



BOTTOM PLATE
MOUNTING PATTERN

SHOCKWAVE

PROPRIETARY AND CONFIDENTIAL

NOTICE: THIS DRAWING MAY REVEAL DESIGNS OR INFORMATION PROPRIETARY TO PROFESSIONAL COMPONENTS LTD. BY ACCEPTANCE OF REPRODUCTIONS, RECIPIENTS AGREE TO PROTECT PROFESSIONAL COMPONENTS LTD. RIGHTS AND ARE WARNED AGAINST USE OF THE DOCUMENT FOR ANY PURPOSE OTHER THAN THAT FOR WHICH IT WAS ISSUED.

SW-05026

S5-PRO MODULE

WEIGHT: [13.6lbs] 6.15 kg

SCALE:1:6

SHEET 1 OF 1

REV: 06