

SHOCKWAVE **S5**

MARINE SUSPENSION SEATING

INSTALLATION MANUAL

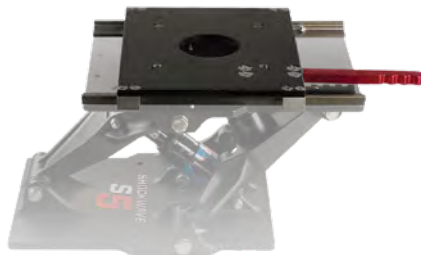
S5 SWIVEL

Part ID: SW-05592



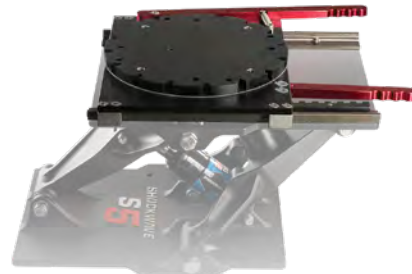
S5 SLIDE

Part ID: SW-05489



S5 SWIVEL SLIDE

Part ID: SW-05488



FEEL BETTER. TRAVEL FARTHER.

CUSTOMER SERVICE

At **SHOCKWAVE**, we've proven that innovation and attention to the highest safety standards can protect boaters from the shock of wave impact. As avid boaters ourselves, we understand what our customers value most – and we create the best marine suspension seats in the world to provide a safer, more comfortable and exciting ride.

S5 ACCESSORIES PARTS LIST:

S5 SWIVEL (SW-05592)

- 1x **SW-05675** - S5 Swivel Shield
- 1x **SW-06275** - Corbin2 Fastener Kit Swivel
- 1x **SW-06350** - Seat Swivel with Integrated Lock
- 8x **M6 X 30mm** - Button Head Cap Screws
- 8x **WASHERS 6mm**

S5 SLIDE (SW-05489)

- 1x **SW-05646** - Corbin2 Fastener Kit Slide
- 4x **M6 X 25mm** - Button Head Cap Screws
- 2x **M6 X 30mm** - Button Head Cap Screws
- 2x **M6 X 25mm** - Flat Head Cap Screws
- 6x Washers 6mm
- 4x M6 Nut Nylock
- 1x **SW-05493** - Lock Rack
- 2x **SW-05492** - Square Rails
- 1x **SW-05491** - Square Linear Bearing
- 1x Main Assembly

S5 SWIVEL SLIDE (SW-05488)

- 1x **SW-05675** - S5 Swivel Shield
- 1x **SW-06275** - Corbin2 Fastener Kit Swivel
- 4x **M6 X 25mm** - Button Head Cap Screws
- 2x **M6 X 30mm** - Button Head Cap Screws
- 2x **M6 X 25mm** - Flat Head Cap Screws
- 6x Washers 6mm
- 4x M6 Nut Nylock
- 1x **SW-05493** - Lock Rack
- 2x **SW-05492** - Square Rails
- 1x **SW-05491** - Square Linear Bearing
- 1x Main Assembly

REQUIRED TOOLS AND MATERIALS

- 4mm Allen Key
- 10mm wrench or socket
- Torque wrench (only if available)
- Loctite 243 Medium Strength Thread Locker or Equivalent

TORQUE TABLE:

FASTENER	TORQUE
M6x25mm	8Nm [70in-lbs]
M6x30mm	8Nm [70in-lbs]

SHOCKWAVE

MARINE SUSPENSION SEATING

INSTALLATION MANUAL CONTENTS

S5 SLIDE (SW-05489) INSTALLATION INSTRUCTIONS

4

S5 SWIVEL SLIDE (SW-05488) INSTALLATION INSTRUCTIONS

4

S5 SWIVEL (SW-05592) INSTALLATION INSTRUCTIONS

10

HOW TO VIDEOS

11

S5 PRODUCT LINEUP

12

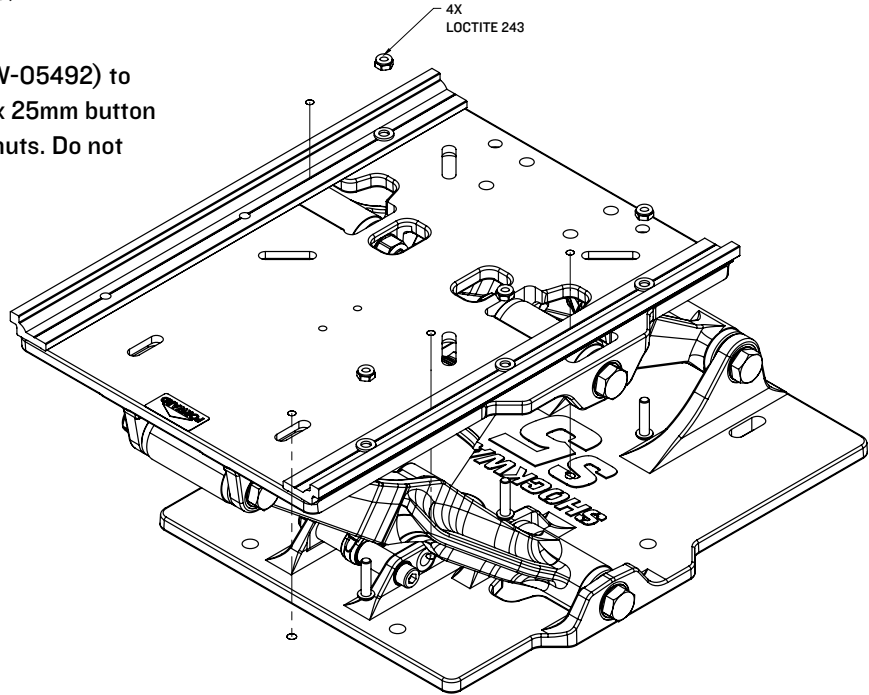
NOTE: The diagrams in this manual show the SW-05488 S5 Swivel Slide. Installation of the SW-05489 S5 Slide is identical.

JOIN THE SHOCKWAVE COMMUNITY



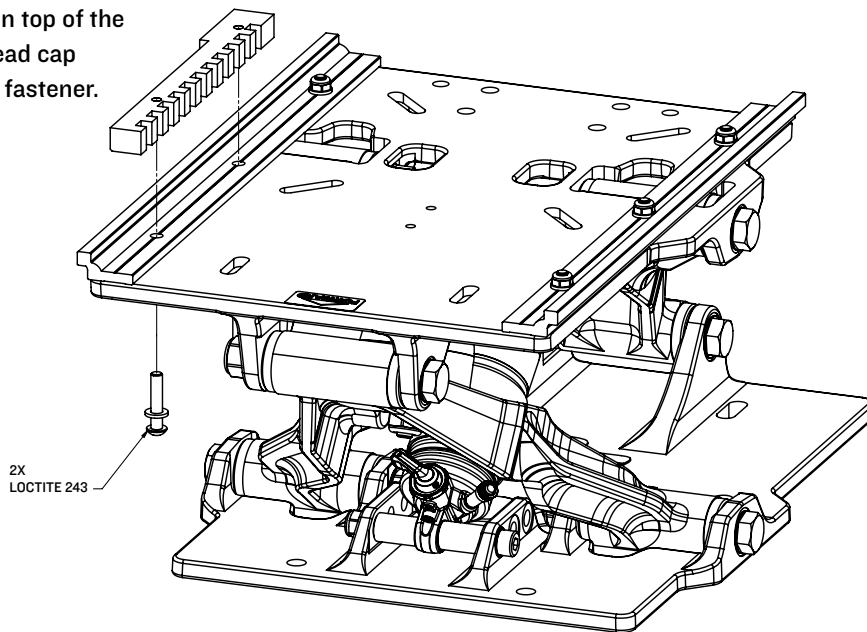
S5 SLIDE (SW-05489) & S5 SWIVEL SLIDE (SW-05488) INSTALLATION INSTRUCTIONS

1. Apply Loctite 243 (purchased separately) to the threads of the 6 fasteners provided.
2. Loosely install the two Square Rails (SW-05492) to the top of the S5 Module using the M6 x 25mm button head cap screws, washers, and nylock nuts. Do not fully tighten the fasteners at this time.



S5 SLIDE (SW-05489) & S5 SWIVEL SLIDE (SW-05488) INSTALLATION INSTRUCTIONS CONTINUED

- Loosely install the Lock Rack (SW-05493) on top of the starboard rail using the M6x30mm button head cap screws and washers. Do not fully tighten the fastener.

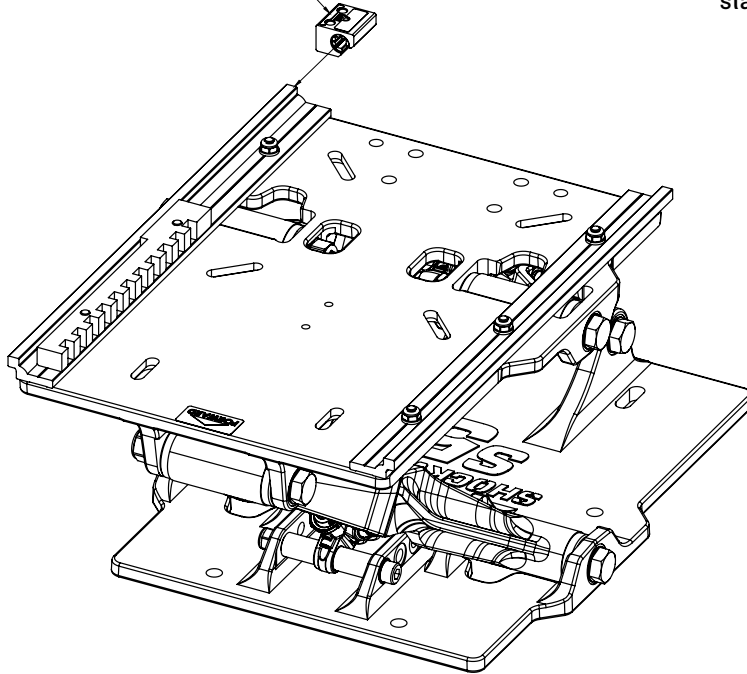


IMPORTANT

If your module is equipped with height adjust, use M6x25mm button head cap screws and washers.

S5 SLIDE (SW-05489) & S5 SWIVEL SLIDE (SW-05488) INSTALLATION INSTRUCTIONS CONTINUED

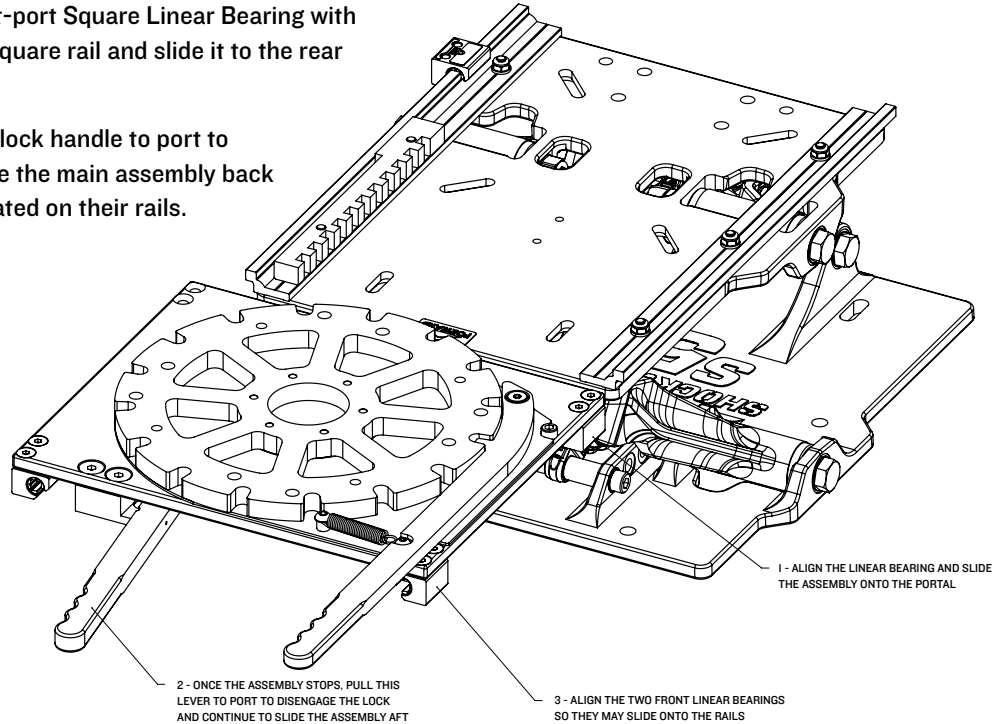
SLIDE THE LINEAR BEARING ONTO THE STARBOARD RAIL
FROM THE REAR OF THE MODULE



4. Slide the Square Linear Bearing (SW-05491) onto the starboard square rail from the rear of the module.

S5 SLIDE (SW-05489) & S5 SWIVEL SLIDE (SW-05488) INSTALLATION INSTRUCTIONS CONTINUED

5. Align the main assembly's aft-port Square Linear Bearing with the forward end of the port square rail and slide it to the rear until it stops.
6. Pull the lower red horizontal lock handle to port to disengage the lock, then slide the main assembly back until all four bearings are seated on their rails.



S5 SLIDE (SW-05489) & S5 SWIVEL SLIDE (SW-05488) INSTALLATION INSTRUCTIONS CONTINUED

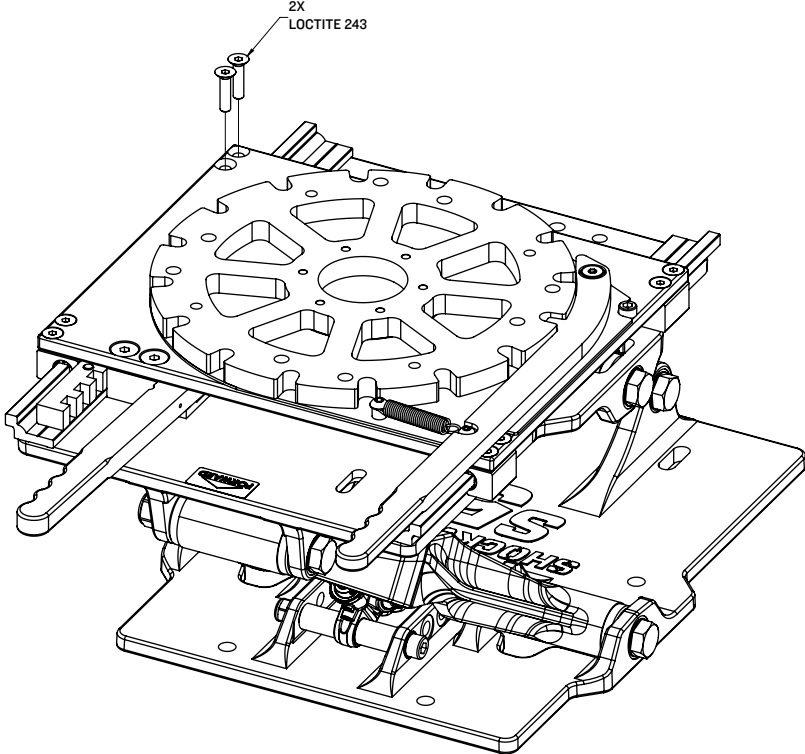
7. Secure the aft-starboard Square Linear Bearing (SW-05491) to the main assembly with 2 – M6 x 25 flat head cap screws and Loctite 243 (sold separately). Tighten till fasteners are secure - do not over tighten.
8. Pull the lower red horizontal lock handle to port and slide the main assembly forward until the two rear fastener assemblies are visible. Tighten till fasteners are secure - do not over tighten.
9. Slide the main assembly all the way to the aft and tighten the remaining fasteners until secure.
Do not over tighten.
10. Once complete, the seat can be installed. If using Corbin2 seats please refer to the Corbin2 seat instructions which comes with the seat.



IMPORTANT

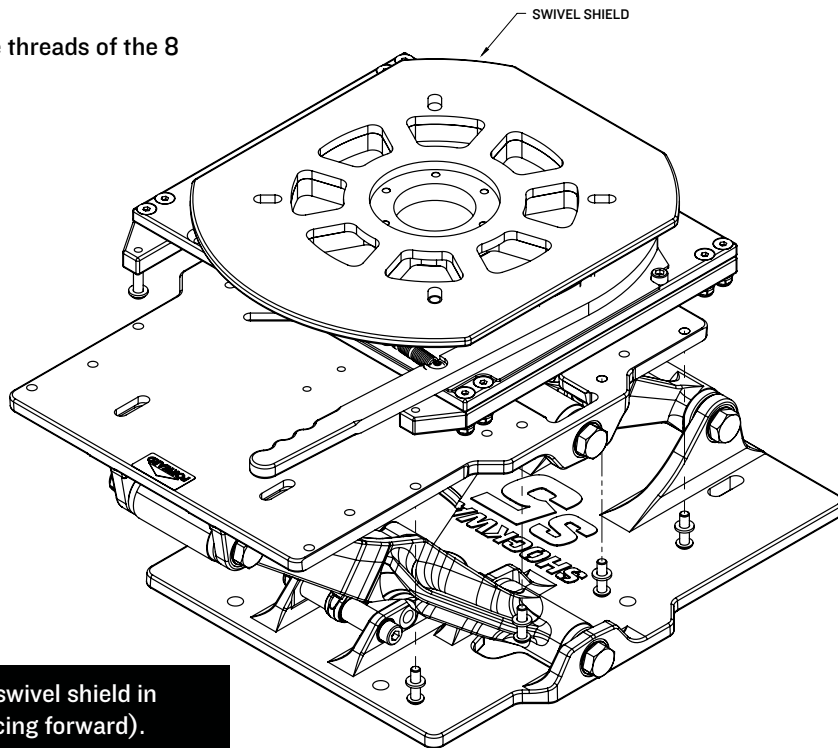
If installing Corbin2 seat, install the swivel shield in orientation shown (rounded edge facing forward) on page 10.

S5 SLIDE (SW-05489) & S5 SWIVEL SLIDE (SW-05488) INSTALLATION INSTRUCTIONS CONTINUED



S5 SWIVEL (SW-05592) INSTALLATION INSTRUCTIONS

1. Apply Loctite 243 (purchased separately) to the threads of the 8 fasteners provided.
2. Loosely install all fasteners.
3. Once all fasteners are installed tighten to 8nm [70in-lbs] - do not over tighten.



IMPORTANT

If installing Corbin2 seat, install the swivel shield in orientation shown (rounded edge facing forward).

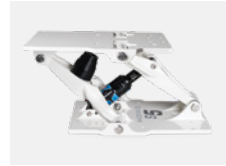
S5 PRODUCT LINE



S5 SUSPENSION MODULE

SW-05026 (black)

The SHOCKWAVE S5 comes in a black or white finish. It is easily and quickly installed in virtually any boat and can be mounted on a riser box or pedestal with minimal effort.



S5 SUSPENSION MODULE

SW-05026-BW (white)

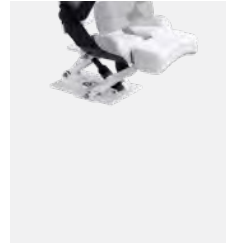
The SHOCKWAVE S5 comes in a black or white finish. It is easily and quickly installed in virtually any boat and can be mounted on a riser box or pedestal with minimal effort.



CORBIN2 MID-BACK SEAT

SW-04920-B (black)

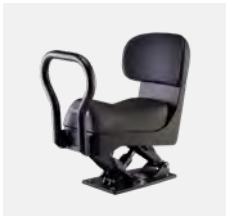
The Corbin2 seat is designed to add an extra element of comfort and support for your suspension module. Crafted in the U.S., these seats are the definition of quality and strength, made using only the best materials available today. **Available in** White (SW-04920-W) and Heavy Duty fabric (SW-04920-HD). **Also available** with heated cushions.



CORBIN2 HIGH-BACK SEAT

SW-06328

The Corbin2 seat is designed to add an extra element of comfort and support for your suspension module. Crafted in the U.S., these seats are the definition of quality and strength, made using only the best materials available today. **Available in** Heavy Duty fabric (SW-06328-HD).



S5 Jockey

SW-S5-2400 (handrail not included)

The SHOCKWAVE S5 Jockey offers an integrated seat frame to minimize size and weight. It comes with a closed cell foam cushion, heavy-duty fabric called 'Grabber' and is designed for comfort and durability in extreme outdoor conditions. One of our most compact solutions.

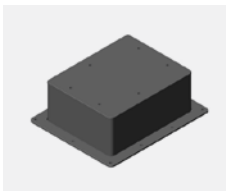


S5 MODULE WITH HEIGHT ADJUST

SW-05047

The SHOCKWAVE S5 height adjust system integrates seamlessly with your suspension module to provide a full 3 inches of vertical travel at the touch of a button. Built to last and made with the highest-quality components this is the perfect option for giving your S5 the ultimate in adjustability.

S5 ACCESSORIES



S5 RISER BOX

SW-07251

The 6 inch riser box is designed to be paired with the SHOCKWAVE S5 module that is mounted flat to the deck. This will provide a sufficient seat height for resting feet on deck. Additional riser box heights are available. Please call for details.



SHOCKWAVE S5 PUMP

SW-01983

The high-pressure shock pump features an integrated pressure gauge and bleed valve for simple adjustment with a maximum inflation pressure of 350 psi.



ADJUSTABLE FOOTREST

SW-03264

Our folding footrest bolts securely to virtually any bulkhead and provides a stable platform 17" wide. Thanks to the 6" of vertical adjustability it can accommodate almost anyone and when not in use folds conveniently out of the way. Made in Canada with a powder coated aluminum frame and stainless steel fasteners it's a quality product made to last in the marine environment.



LAPBELT

SW-00774

For those who need an extra level of safety and security, SHOCKWAVE offers a lapbelt for the Corbin2 seats.



JOCKEY WIDE HANDRAIL

SW-04732

A wide profile grip provides enhanced ergonomics and increased grip surface to ensure a safer ride at high speeds. **Available for** the S5 Jockey (SW-S5-2400), front and rear mounted.