

SHURFLO® BAIT & LIVEWELL PUMP

INSTALLATION & OPERATION MANUAL

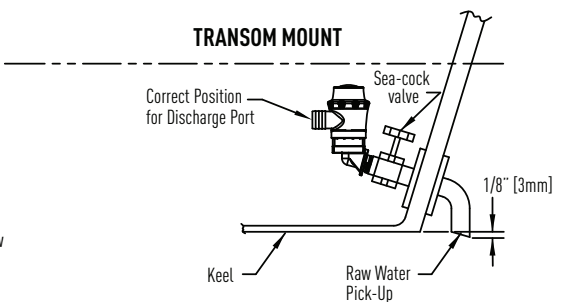
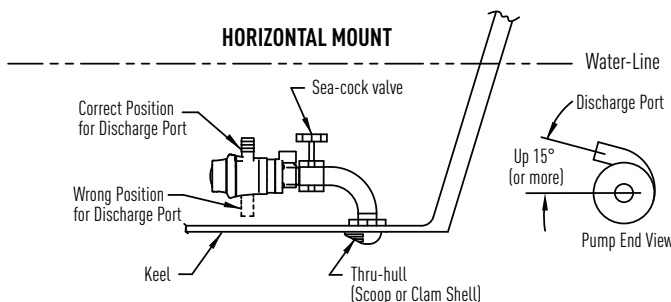
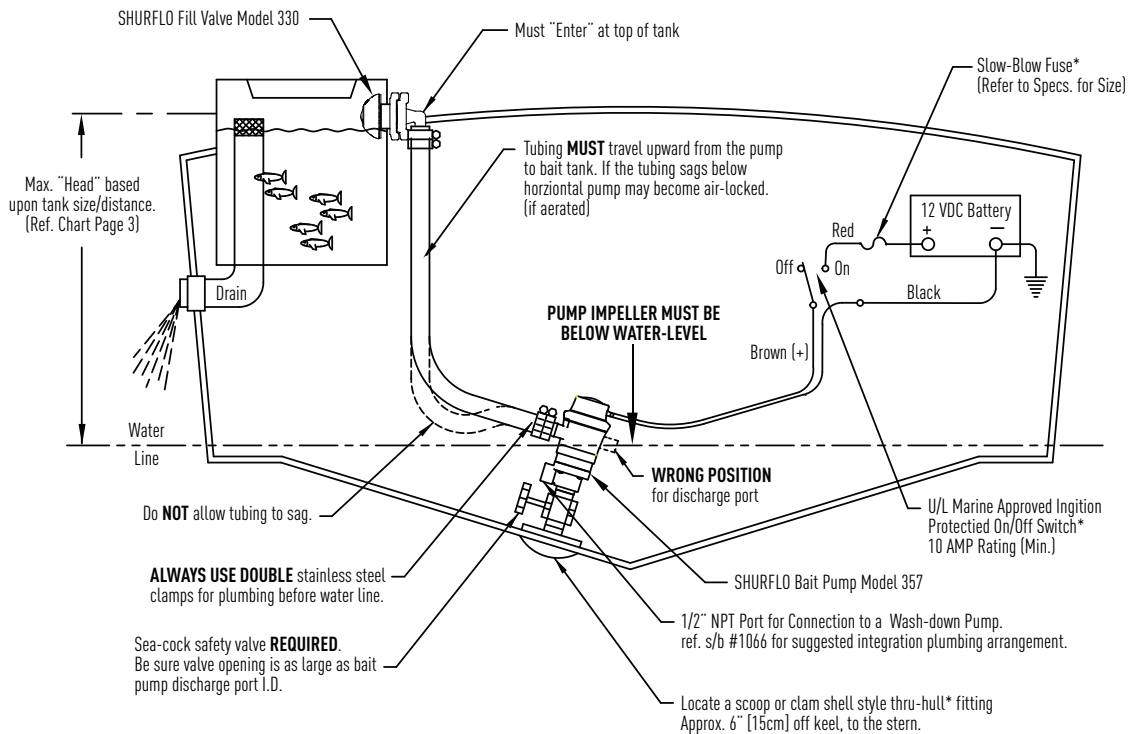
MOUNTING

Mount scoop-type thru-hull [high speed pick-up] to hull. **Do not drive screws through hull!** Below water level thru-hull fittings must have a seacock shut-off valve. Mount 3/4" NPT-M pump inlet port directly to seacock. For extended inlet ports cut to desired length to fit.

NOTES & CAUTIONS

Use smooth I.D. discharge tubing or hose. **Tubing & hose should be rated for below water line use. Always use double clamps for connections below the water line.** Tubing should enter tank at top to avoid tank draining while pump is off. See illustration for recommended installation. SHURFLO recommends installing our 330 livewell fill valve.

Avoid airlock & maximize performance: Avoid any sagging or loops in the tubing. Tubing must go up from pump to tank. Use full-flow style valves only. Valve is used to regulate flow to tank while at rest and while under way (2 different settings).

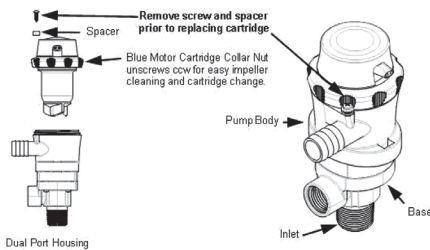


ELECTRICAL

Use 16GA wire for all circuits. If installation is over 20 feet, use 14GA wire.

Brown pump wire must be connected to positive power. Use waterproof connectors and splices. Attach all wires to UL Marine approved duty switch rated at or above 10 amps. Wire connections should be made above water level at the highest possible position. Seal wire connections to prevent corrosion and electrolysis.

⚠ WARNING: Always use fuse with amps rating specified on pump label. Failure to do so may result in serious personal injury or fire hazards.



OPERATION

Never operate equipment if gasoline fumes are present. **Always** test pump before leaving dock. **Open sea cock before running pump, do not run pump dry.** Tank fill time should be tested at rest and under way. Pump will fill tank faster while boat is running at higher speeds. General tank fill times are between 7 minutes [warmer water] and 10 minutes [colder water]. Measure tank fill time from empty while at rest and adjust valve position for desired time. Measure tank fill time at normal cruising speed and adjust valve to desired time. Refer to tank size chart for optimal pump size. Note position for later reference. Always remember to adjust valve

when at rest or under way. Flow should be circular and slightly upward so debris clears from bottom of tank. Flow should not be too fast that fish get tired.

⚠ WARNING: Do not disassemble base from pump body. Warranty will be voided upon disassembly. SHURFLO is not responsible for problems due to disassembly of base from pump body. Do not pump oil, diesel fuel, gasoline or other flammable liquids with this pump. Always disconnect power before servicing pump. Always use fuse size specified in specification.

Seacock MUST be closed before removing cartridge from pump housing.

MAINTENANCE & CLEANING

IMPELLER & MOTOR CARTRIDGE:

First and most important, close sea-cock valve. Remove motor cartridge by removing locking screw and then unscrewing the blue-collar nut. Remove motor cartridge. Clean out debris and press motor cartridge firmly into housing, then hand-tighten blue collar nut to housing. Make sure to align the finger holes on blue collar nut to allow room for locking screw. Align spacer and locking screw. Assemble screw and spacer into existing hole.

CAUTION: MAKE SURE NOT TO OVER TIGHTEN SCREW, SNUG IS FINE.

Always check for leaks/cracks and all connections regularly. Repair or replace as needed. Keep valve closed when system is not in use. When not using livewell, remove or drain all water from the system. When removing boat from the water, open seacock valve. When boat is in water and livewell is not in use, close seacock valve.

*DUAL PORT MODEL: GALLONS [LITERS] TANK SIZE

	1' [.3M]	2' [.6M]	3' [.9M]	4' [1.3M]	5' [1.6M]	AMPS	FUSE	INLET	OUTLET
600 GPH [2271 LPH]	31 [117]	23 [87]	12 [45]	5 [19]		3.0 A	4 A	3/4" NPT-M	3/4" BARB
800 GPH [3028 LPH]	42 [159]	36 [136]	30 [114]	21 [79]	13 [49]	4.5 A	6 A	3/4" NPT-M	3/4" BARB
1100 GPH [4163 LPH]	54 [204]	44 [166]	35 [132]	24 [91]	14 [53]	4.5 A	6 A	3/4" NPT-M	1-1/8" BARB

*AERATOR STRAIGHT MODEL: GALLONS [LITERS] TANK SIZE

	1' [.3M]	2' [.6M]	3' [.9M]	4' [1.3M]	5' [1.6M]	AMPS	FUSE	INLET	OUTLET
600 GPH [2271 LPH]	33 [125]	27 [102]	21 [79]	15 [57]	9 [34]	3.0 A	4 A	3/4" NPT-M	3/4" BARB
800 GPH [3028 LPH]	38 [144]	32 [121]	27 [102]	18 [68]	12 [45]	4.5 A	6 A	3/4" NPT-M	3/4" BARB
1100 GPH [4163 LPH]	53 [201]	41 [155]	32 [121]	21 [79]	13 [49]	4.5 A	6 A	3/4" NPT-M	1-1/8" BARB

*AERATOR ANGLED MODEL: GALLONS [LITERS] TANK SIZE

	1' [.3M]	2' [.6M]	3' [.9M]	4' [1.3M]	5' [1.6M]	AMPS	FUSE	INLET	OUTLET
600 GPH [2271 LPH]	27 [102]	21 [79]	12 [45]	6 [23]		3.0 A	4 A	3/4" NPT-M	3/4" BARB
800 GPH [3028 LPH]	38 [144]	32 [121]	27 [102]	18 [68]	14 [53]	4.5 A	6 A	3/4" NPT-M	3/4" BARB
1100 GPH [4163 LPH]	44 [166]	35 [132]	28 [106]	21 [79]	12 [45]	4.5 A	6 A	3/4" NPT-M	1-1/8" BARB

*Specifications given at design voltage of 13.6V DC per ABYC recommendations.

