

SHURFLO® 358 BILGE PUMP

INSTALLATION & OPERATION INSTRUCTIONS

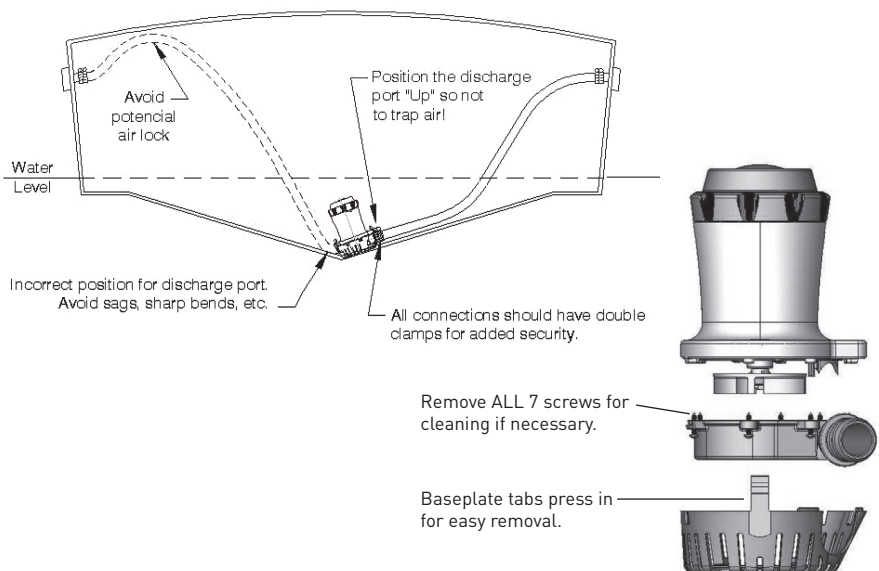


ADVANCED BILGE FEATURES

- Anti-Airlock
- Tough Nylon Housing
- Tinned 6' Wire Assembly
- Water Cooled Motor
- Submersible
- Ignition Protected
- ISO 8846, ABYC, NMMA Type Accepted, CE

MOUNTING

- Locate the pump in the deepest position in the bilge. Keep away from high heat source.
- Mount quick disconnect bracket to bulkhead or stringer with #10 S.S. screws. **Do not drive screws through hull.**
- Route **smooth I.D.** discharge tubing to a thru-hull fitting well above the water line. Avoid any **sagging or loops** in the tubing. Tubing **must go up** from the pump to the thru-hull fitting.



ELECTRICAL

Use 16GA wire for all circuits. If installation is over 20 feet, use 14GA wire. Brown pump wire must be hooked to positive power for maximum flow. Wire is tinned to prevent corrosion.

PANEL SWITCH:

Attach all wires to UL Marine approved duty switch with auto-off-manual, rated at or above 15 amps.

FUSE:

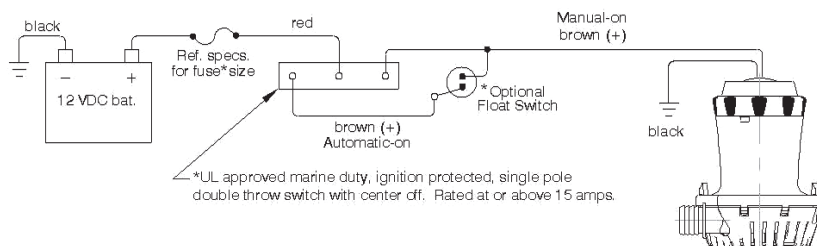
Install a fuse per pump label specifications.

CONNECTIONS:

Wire connections should be made above the highest possible water level. Seal wire connections to prevent corrosion and electrolysis.

ELECTRICAL

NOTE: Typical circuit only, consult boat wiring diagram.



OPERATION

DO NOT RUN PUMP DRY. ALWAYS TEST PUMP AND SWITCH BEFORE LEAVING DOCK.

OPERATION

MANUAL MODE:

To turn pump on, turn manual power switch on. If pump does not turn on, turn switch off, check power, fuses, connections, wires. Retry. If pump does not turn on, check pump motor.

FLOW GPH [LPH]						TECHNICAL DATA				
Name	Voltage	Model #	0' [0m]	1' [3m]	6' [2m]	Max. Head ft. [m]	Max. Amps	Fuse	Outlet Port	Dims.
1500	12 V*	358-000-00	1800 [6813]	1700 [6434]	1600 [6056]	14 [4.27]	8	10	1-1/8"	7-1/4" x 6"
2000	24 V*	358-010-00	2200 [8327]	2000 [7570]	1900 [7191]	18 [5.5]	10	15	1-1/8"	7-1/4" x 6"
1500	12 V	358-100-00	1800 [6813]	1700 [6434]	1600 [6056]	14 [4.27]	4	6	1-1/8"	7-1/4" x 6"
2000	24 V	358-110-00	2200 [8327]	2000 [7570]	1900 [7191]	18 [5.5]	5	6	1-1/8"	7-1/4" x 6"

*Specifications given at design voltage 13.6 VDC per ABYC recommendations.

Pump Power leads: 6 ft. [1.8 M] #16 tinned stranded copper wire to minimize corrosion. Positive (+) brown; Ground (-) black.

Temperature limits: 33°F—140°F [0°C—60°C]. All models rated for continuous duty.

Approvals: Ignition Protected, ISO 8846, ABYC, NMMA Type Accepted, CE.

TROUBLESHOOTING

NO WATER PUMPED / PUMP NOT RUNNING

✓ Blown fuse. Wire connections. Impeller or float switch plugged with debris.

REDUCTION IN WATER FLOW

✓ Impeller/screen plugged with debris. Pinch/clogged discharge tubing. Discharge tubing sagging below pump causing air lock. Tubing must go up from pump to thru-hull fitting. Low voltage to pump; check battery/wire connections.

LOW FLOW

✓ Polarity reversed; check wiring. Use only smooth bore (I.D.) discharge tubing. Is thru-hull fitting I.D. smaller than pump discharge port?

WARNING

Do not pump oil, diesel fuel, gasoline or other flammable liquids with this pump. This pump does not prevent the discharge of oil or other chemicals into the water. Please take appropriate measures to prevent discharging oil or other chemicals and safeguard the environment. Always disconnect power

before servicing pump. Always use fuse size specified in specifications. These bilge pumps are designed to evacuate standing bilge water only. These pumps may not prevent boat sinkage due to storms, rough weather, unsafe boating, improper installation procedures or hull damage.

