



SHURFLO AQUA KING™ II Jr 2.0

MARINE FRESH WATER PUMP – PRODUCT TECHNICAL DATA SHEET

OEM: 4128-110-A04
 AFTERMARKET: 4128-110-E04



APPLICATION:

Multi-fixture Marine fresh water pump installation.
 This pump may be used for general fresh water transfer

PUMP DESIGN:

Type: 4 Chamber Diaphragm pump
 Check Valve: (1-way operation) Prevents Reverse Flow
 Ports: ½”-14 NPSM-Male
 Liquid: 130°F [54°C] Max
 Dry-Prime: 6 feet [1.82 M]
 Run Dry: Yes
 Inlet Pressure: 30 PSI Max. [2.06 Bar]

Aftermarket model include:

- Fittings: swivel straight adapter ½-14 NPT (hex-wing nut) x ½ barb (Qty. 2)

ELECTRICAL:

Motor: 12V DC Permanent Magnet, Intermittent Duty
 Protection: Thermal Overload, Automatic Restart
 Leads: 14 AWG, 14 ¾” [37 cm] Red +, 15” [38 cm] Black
 Fuse: 5 Amp Recommended
 Control: Shut-Off 30 PSI [2.0 Bar] ± 2 PSI [0.13 Bar]
 Re-start 15 PSI [1.0 Bar] ± 2 PSI [0.13 Bar]

MATERIALS OF CONSTRUCTION:

Housings: Polypro
 Valves/Seals: EPDM
 Diaphragm: Santoprene
 Hardware: Stainless Steel

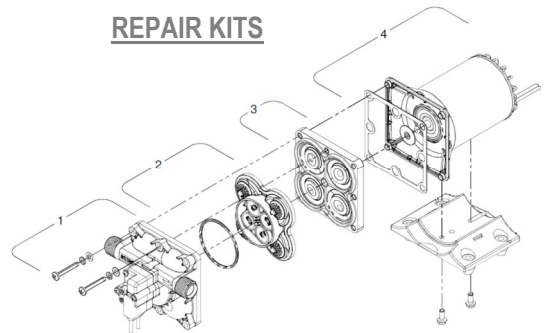
AGENCY APPROVALS:

Ignition Protection 8846, CE, IMCI Certified

SHIPPING INFORMATION:

Approx. Net Weight: 4.25 lbs. [1.92 Kg] ea.
 Carton Qty.: 6
 Approx. Carton Weight: 27 lbs. [12.2 Kg]
 Approx. Carton Size: 24”L X 18”W X 6”H [61cm x 46cm x 15cm]
 Retail (individual) box: 11”L X 6”W X 5”H [28cm x 15cm x 13cm]

REPAIR KITS



Number	Description	Part Number
*1	Upper Assembly	94-800-22
2	Valve Assembly	94-800-01
3	Drive Assembly	94-800-25
4	Motor/Gasket	94-71-003-07
*1,2,3	Pump Head	94-800-28
Not Shown	Check Valve	94-800-03

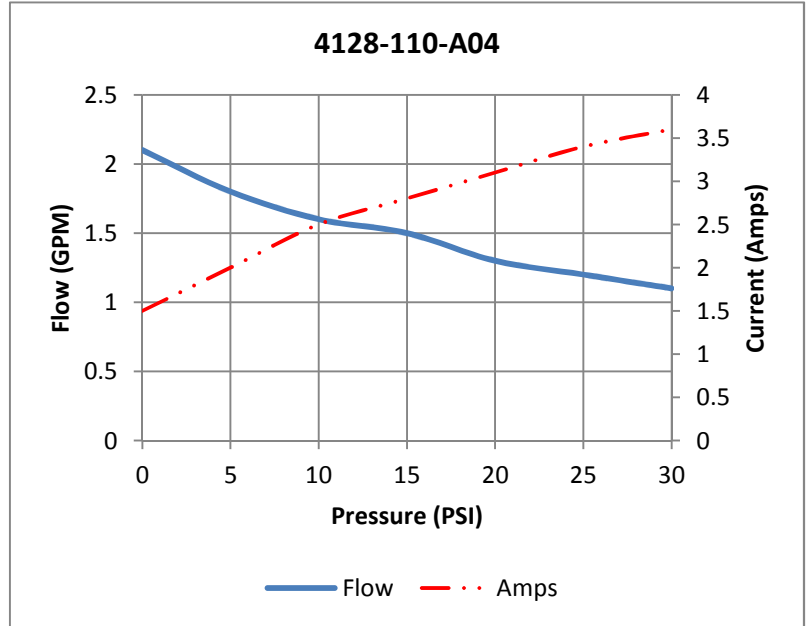
*With preset switch adjustment

RELATED DOCUMENTS:

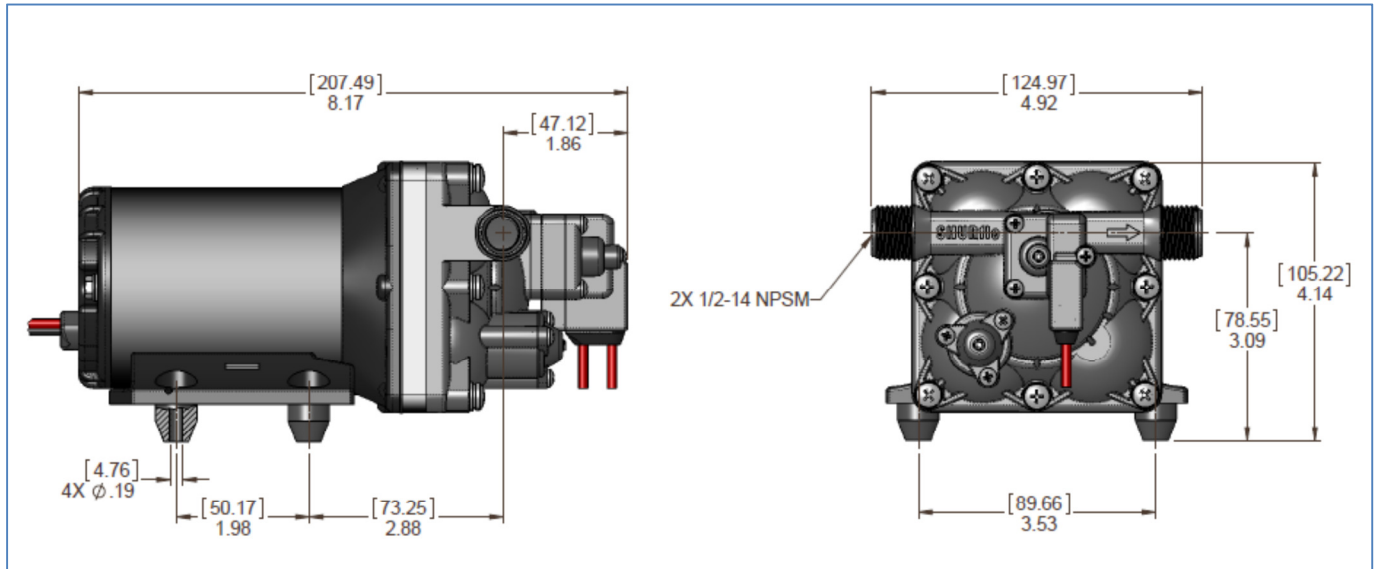
Catalog: MS-030-140
 App Guide Sheet : MS-020-005
 Installation Manual: 911-1052
 Aftermarket Warranty: 911-1045

TYPICAL PERFORMANCE AT 12V

PRESSURE		FLOW		CURRENT
BAR	PSI	GPM	LPM	AMPS
0	0	2.1	7.6	1.5
0.3	5	1.8	6.8	2
0.7	10	1.6	6.0	2.5
1.0	15	1.5	5.6	2.8
1.4	20	1.3	4.9	3.1
1.7	25	1.2	4.5	3.4
2.0	30	1.1	4.1	3.5



DIMENSIONS



Looking for dependable boat pumps? Rely on SHURflo for quality and long-lasting products.