

# SHURFLO WASHDOWN KIT™ II BLASTER 3.5

## MARINE WASHDOWN KIT II – PRODUCT TECHNICAL DATA SHEET

OEM: 4338-121-A07  
 AFTERMARKET: 4338-121-E07



### APPLICATION:

Marine fresh or salt water wash-down installation. This pump may be used for general water transfer.

### INCLUDED WITH WASH-DOWN KIT:

- Pump model: 4238-121-A07
- Spray Nozzle: 94-010-00
- Self-Coil Hose: 7-071-25
- Garden hose wing nut fitting: 244-2356 (x-1)
- Straight swivel adapter fitting, 1/2" NPT X 3/4" barb: 244-5146 (x-2)
- Strainer: 255-215

### PUMP DESIGN:

Type: 4 Chamber Diaphragm pump  
 Ports: 1/2"-14 NPSM-Male  
 Liquid: 130°F [54°C] Max  
 Dry-Prime: 6 feet [1.82 M]  
 Run Dry: Yes  
 Inlet Pressure: 30 PSI Max. [2.06 Bar]

### ELECTRICAL:

Motor: 12V DC Permanent Magnet, Intermittent Duty.  
 Protection: Thermal Overload, Automatic Restart  
 Leads: 14 AWG, 14 3/4" [37 cm] Red +, 15" [38 cm] Black  
 Fuse: 10 Amp Recommended  
 Control: Shut-Off 45 PSI [3.1 Bar] ± 2 PSI [0.13 Bar]  
 Re-start 30 PSI [2.0 Bar] ± 2 PSI [0.13 Bar]

### MATERIALS OF CONSTRUCTION:

Housings: Polypro  
 Valves/Seals: EPDM  
 Diaphragm: Santoprene  
 Hardware: Stainless Steel

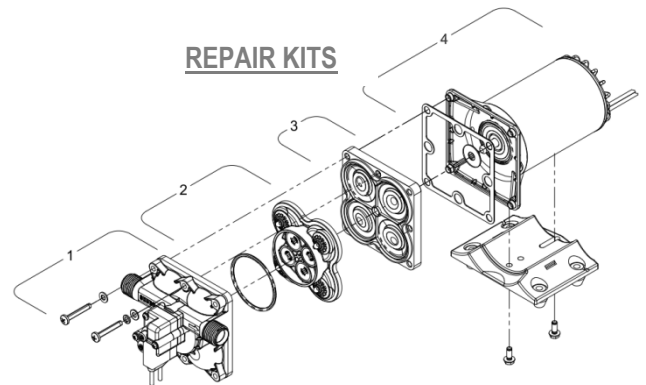
### AGENCY APPROVALS:

Ignition Protection 8846, CE, IMCI Certified

### SHIPPING INFORMATION:

Approx. Net Weight: 7.5 Lbs. [3.4Kg] ea.  
 Carton Qty.: 2  
 Approx. Carton Weight: 20 Lbs. [9.0 Kg]  
 Approx. Carton Size: 24"L X 18"W X 11"H [61cm x 46cm x 28cm]  
 Retail (individual) box: 17"L X 11"W X 6"H [43cm x 28cm x 15cm]

### REPAIR KITS



Number	Description	Part Number
*1	Upper Assembly	94-800-13
2	Valve Assembly	94-800-01
3	Drive Assembly	94-800-15
4	Motor/Gasket	94-71-002-07
*1,2,3	Pump Head	94-800-17
Not Shown	Check Valve	94-800-03
Not Shown	Spray Nozzle	94-010-00
Not Shown	Strainer	255-315

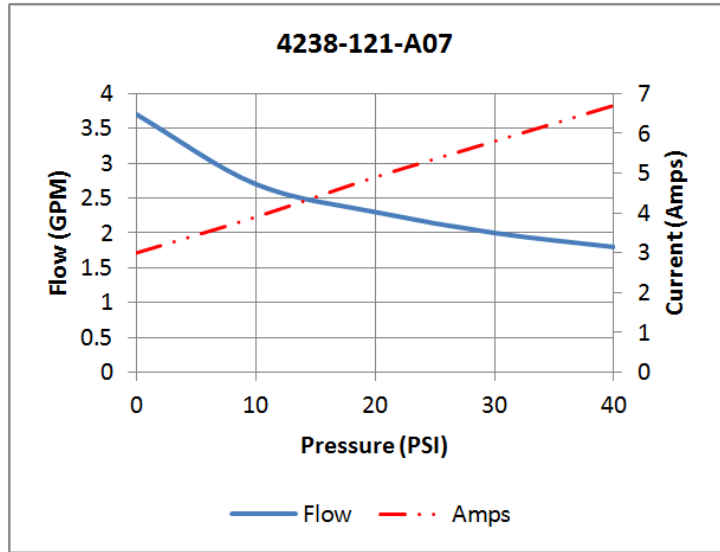
\*With preset switch adjustment

**RELATED DOCUMENTS:**

Catalog: MS-030-140  
 App Guide Sheet: MS-020-005  
 Installation Manual: 911-1035  
 Aftermarket Warranty: 911-1045

**TYPICAL PERFORMANCE AT 12V**

PRESSURE		FLOW		CURRENT
BAR	PSI	GPM	LPM	AMPS
0	0	3.7	14.0	3.0
0.7	10	2.7	10.2	3.9
1.4	20	2.3	8.7	4.9
2.1	30	2.0	7.5	5.8
2.8	40	1.8	6.8	6.3



**DIMENSIONS:**

