



SHURFLO PROBAIT MASTER™ II 4.0

MARINE LIVEWELL/WASHDOWN PUMP – PRODUCT TECHNICAL DATA SHEET

OEM: 4648-163-A07
 AFTERMARKET: 4648-163-E07



APPLICATION:

Marine fresh or salt water Livewell/wash-down installation. This pump may be used for general water transfer.

PUMP DESIGN:

Type: 4 Chamber Diaphragm pump
 Ports: 1/2" -14 NPSM-Male
 Liquid: 130°F [54°C] Max
 Dry-Prime: 6 feet [1.82 M]
 Run Dry: Yes

ELECTRICAL:

Motor: 24V DC Permanent Magnet, Continuous Duty
 Protection: Thermal Overload, Automatic Restart
 Leads: 14 AWG, 14 3/4" [37 cm] Red +, 15" [38 cm] Black
 Fuse: 7.5 Amp Recommended
 Control: Shut-Off 45 PSI [3.1 Bar] ± 2 PSI [0.13 Bar]
 Re-start 30 PSI [2.0 Bar] ± 2 PSI [0.13 Bar]

MATERIALS OF CONSTRUCTION:

Housings: Polypro
 Valves/Seals: EPDM
 Diaphragm: Santoprene
 Hardware: Stainless Steel

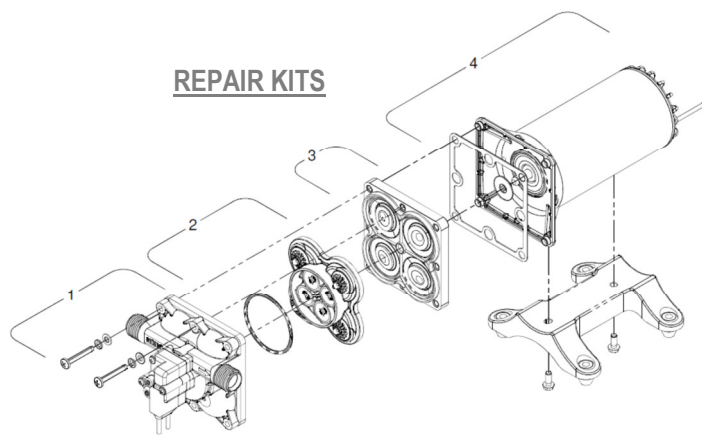
AGENCY APPROVALS:

Ignition Protection 8846, CE, IMCI Certified

SHIPPING INFORMATION:

Approx. Net Weight: 7.9 Pounds [3.5 Kg] ea.
 Carton Qty.: 6
 Approx. Carton Weight: 50 Lbs. [22.6 Kg]
 Approx. Carton Size: 24" L X 18" W X 6" H [61cm x 46cm x 15cm]
 Retail (individual) box: 12" L X 6" W X 6" H [30cm x 15cm x 15cm]

- Aftermarket model includes:**
- 50 Mesh strainer: swivel straight adapter 1/2-14 NPT (hex-wing nut) x 1/2-14 NPS (male)
 - Fittings: swivel straight adapter 1/2-14 NPT (hex-wing nut) x 3/4 barb (Qty. 2)
 - Fitting: swivel straight adapter 1/2-14 NPT (hex-wing nut) x 3/4 NHR (Male) (Qty. 1)



REPAIR KITS

Number	Description	Part Number
*1	Upper Assembly	94-805-01
2	Valve Assembly	94-800-01
3	Drive Assembly	94-801-02
4	Motor/Gasket	94-71-001-03
*1,2,3	Pump Head	94-805-02
Not Shown	Check Valve	94-800-03

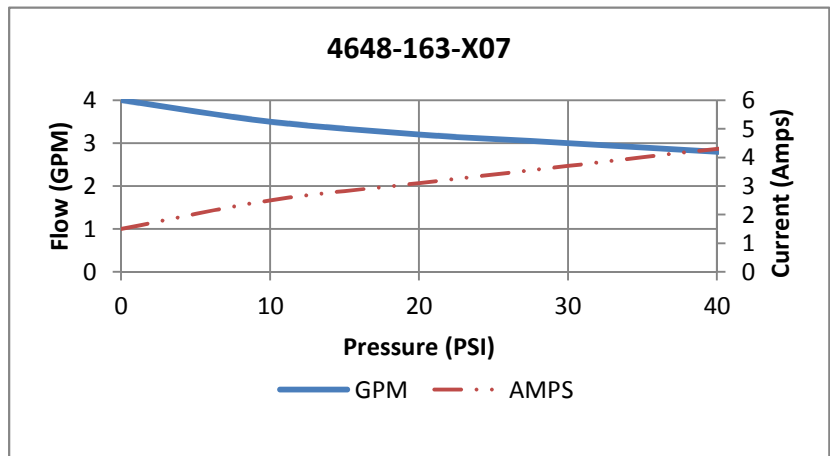
*With preset switch adjustment

RELATED DOCUMENTS:

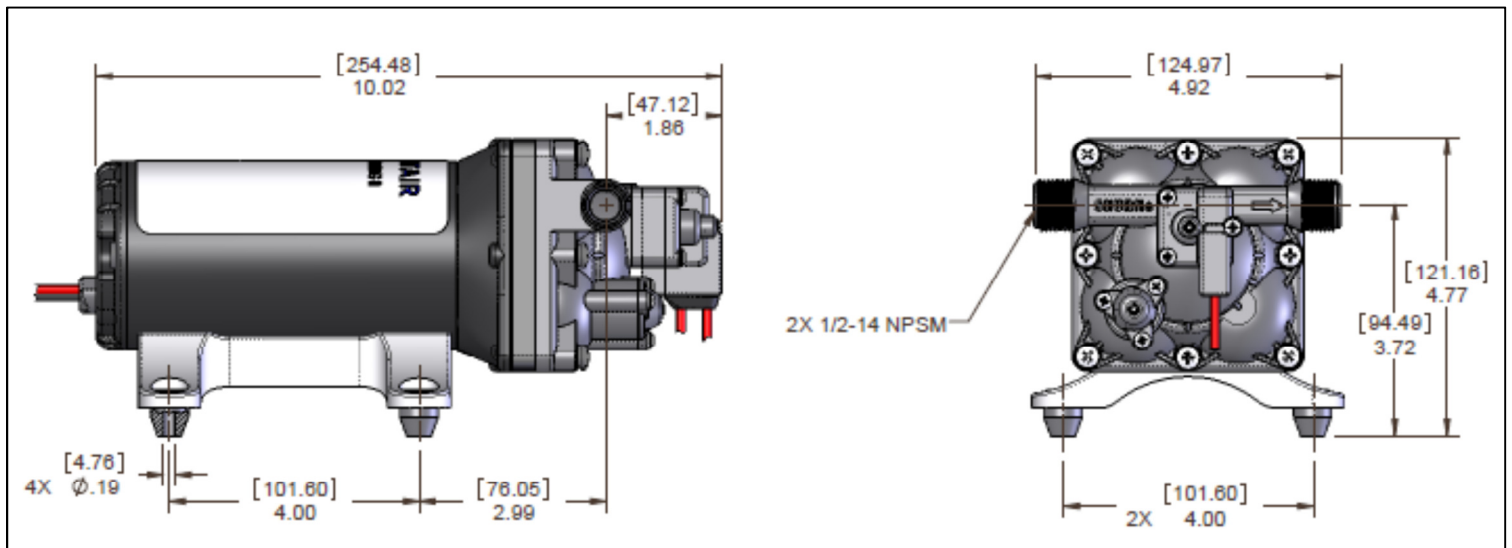
Catalog: MS-030-140
 Application Spec Guide: MS-020-005
 Installation Manual: 911-1036
 Aftermarket Warranty: 911-1045

TYPICAL PERFORMANCE AT 24V

PRESSURE		FLOW		CURRENT
BAR	PSI	GPM	LPM	AMPS
0	0	4.0	15.1	1.5
0.7	10	3.5	13.2	2.5
1.4	20	3.2	12.1	3.1
2.1	30	3.0	11.3	3.7
2.8	40	2.8	10.5	4



DIMENSIONS:



Looking for dependable boat pumps? Rely on SHURflo for quality and long-lasting products.