

SCR-Series™

Blue and White™ SCR-BW™ OPERATING INSTRUCTIONS

Connections: Red Wire: +12 or +24 Volts, 7.5 Amps at 12 Volts, 3.5 Amps at 24 Volts.
(SCR-16 BW 5A/12V and 2.5/24V)

Black Wire: Common Ground

Green Wire: Optional 'Push button' Control Wire (Install a momentary 'Push button' that connects this wire to ground.)

Orange, Yellow Wire: Shadow-NET™ connections.
These are reserved for full color lights. Leave unconnected.

Operation: The SCR-BW™ is an underwater light that can be easily changed between Blue and White colors.

There are (2) two ways of communicating with the SCR-BW™:

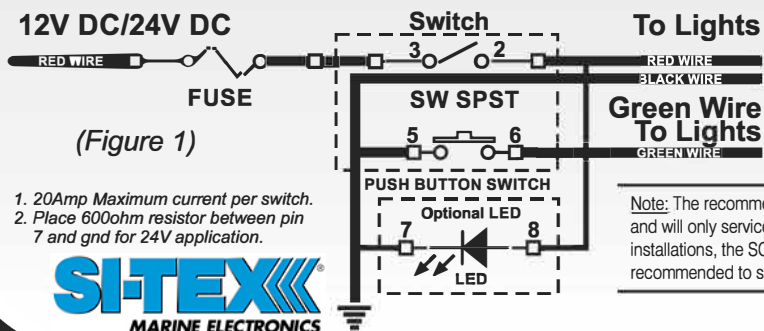
1. **Power Toggle Control:** Done by quickly turning the input power off and then back on within 2 seconds.
2. **Push Button Control:** This is an optional control that can be added by installing a momentary push button connected between the Ground and Green Wire (See Figure 1).

Power switch toggle: The SCR-BW™ has unique circuitry to detect when the power has been toggled. The lights must be turned off and then back on within 2 seconds for this condition to be recognized. Toggling the power input will change the SCR-BW™ light to the next color state. Toggling the Power Switch will cycle through the available colors in the sequence of Blue, White, and all. When the power is turned off for more than 10- seconds, the lights will reset and return to the Blue Color State.

Push Button: The push button interface requires the installation of a push button switch. This will access the additional features listed on the right. Shadow-Caster® can provide a marine grade ON/OFF switch with integrated power toggle and push button switch. The appropriate wiring for this is shown in (See Figure 1). Part # SCM-SWITCH-O/O/M-LOGO

By pressing the Push Button switch, the SCR-BW™ will go through the following modes of operation:

1. **Blue to White Fade:** The SCR-BW™ will fade from white to blue. They will change colors approximately every, 20 seconds
2. **Strobe:** The lights will flash on whichever color they are set to.
3. **Back to Solid Color**



1. 20Amp Maximum current per switch.
2. Place 600ohm resistor between pin 7 and gnd for 24V application.

SITEX
MARINE ELECTRONICS

Note: The recommended switch is rated to 20 Amps and will only service 2 lights at 12 Volts. For larger installations, the SCM-PD+ power distribution box is recommended to service more power.

shadow-caster
LED LIGHTING

shadow-net
TECHNOLOGY
ENABLED