

SI-TEX[®]



SCS-1000 CHIRP Echo Sounder Module

Turns your chartplotter into a CHIRP Echo Sounder

The SI-TEX CHIRP Echo Sounder is designed to be easily connected and combined with SI-TEX NavPro multifunction chartplotters* to turn it into an Echo Sounder.

Transducer compatibility

CHIRP Echo Sounder is compatible with both AIRMAR CHIRP and CW transducers, and with Radarsonics CW transducers.

It can be coupled with various types of transducers: plastic stern thru hull, in hull, or bronze thru hull.

Operation frequency & display mode

Operation frequency may vary depending on the model of transducers. CHIRP Echo Sounder supports double frequency mode for CW transducers. Dual mode splits the "Fish Finder" page into two parts. Each part displays the echogram for the predefined frequency.

Automatic detection

CHIRP Echo Sounder automatically detects the connected AIRMAR transducers. The Xducer ID[®] detection system automatically selects the power output and configures the parameters to suit the transducer.

Advanced filtering

CHIRP Echo Sounder features advanced filtering, that eliminates unwanted noise and sharpens echoes to enhance separation and detection.

Zero line

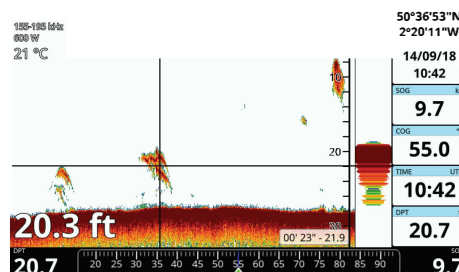
CHIRP Echo Sounder supports Zero Line rejection: Depending on the transmission line of a transducer, you can increase or decrease "Zero Line Area" values.

History

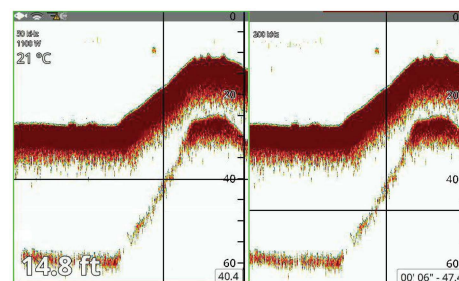
CHIRP Echo Sounder allows access to the echoes history received by the transducer. Frequency view history includes approximately 2048 echoes.

Point on map

CHIRP Echo Sounder supports point on map function. This feature allows the user to place a Mark on the echogram and then find and check it later on the map.



Full Fish Finder



Double frequency view

*Compatible with: Explorer NavPro, NavPro-900, NavPro-1200 Only



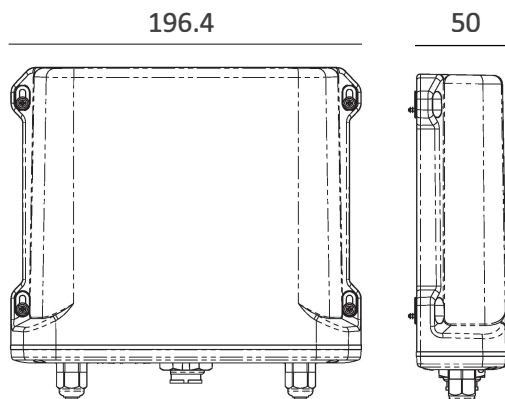
SCS-1000 CHIRP Echo Sounder Module

CHIRP Black Box Fish Finder

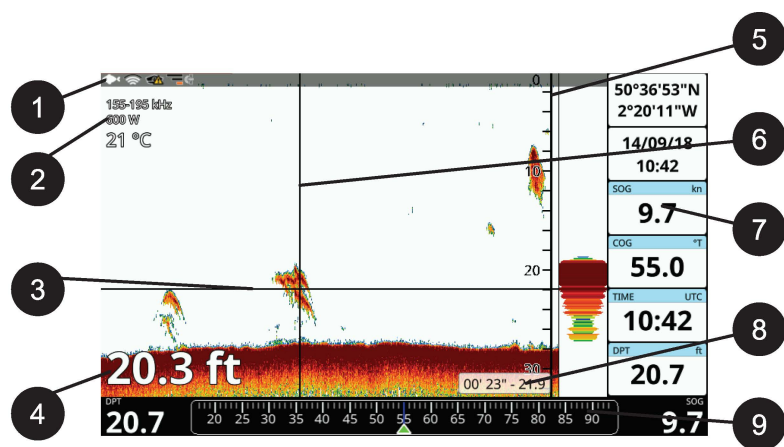
Supply Voltage	10-35 Vdc
Transducer Frequency	CHIRP: LF / MF / HF (40 to 210 kHz) CW: 50/200 kHz
Transducer Power	From 300 W to 1 kW
Waterproof	IPX6
Dimensions	196.4 x 164.9 x 50 mm
Weight	600 g
Operating Temperature	-20 °C / +60 °C
Storage Temperature	-20 °C / +70 °C

Key Features

- Compatible with AIRMAR and Radarsonics transducers.
- AIRMAR transducers: Xducer ID® detection system automatically selects the power output and configures the parameters to suit the transducer
- Display mode: Single and Dual frequency (CW only)
- Alarms: shallow water, deep water, water temperature, etc.
- Zero line rejection
- Echogram history
- Point on map
- Calibration: temperature offset and speed offset
- Waterproof and shock resistant housing



Dimensions are in mm



1. Fish Finder icon
2. Transducer data: frequency, power of the transducer and water temperature.
3. Variable depth marker
4. Depth data: units depend on your plotter settings
5. Depth ruler: shows the range of depth, on which the Fish Finder is operating.
6. Vertical time marker is a vertical line on the echogram.
7. Databoxes
8. Cursor box reporting time and depth data
9. Compass bar.

