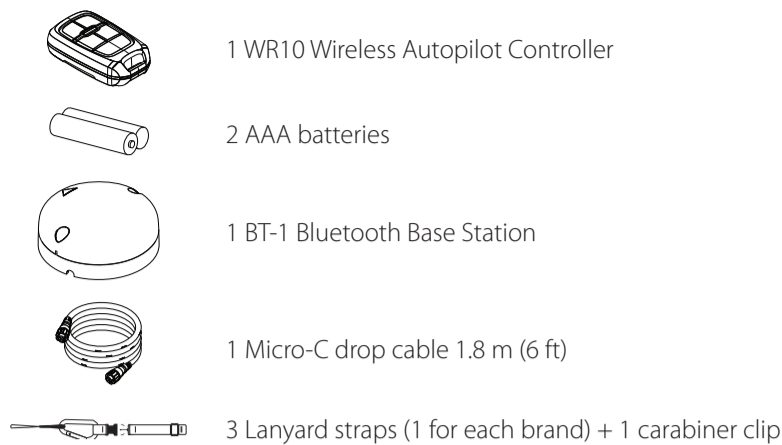
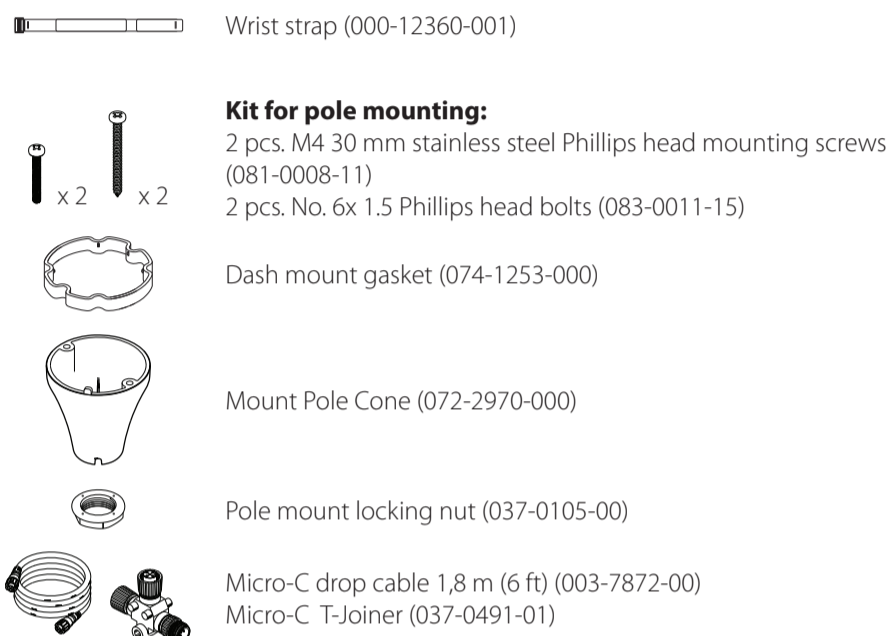


Content of standard package



Accessories



LOWRANCE

SIMRAD

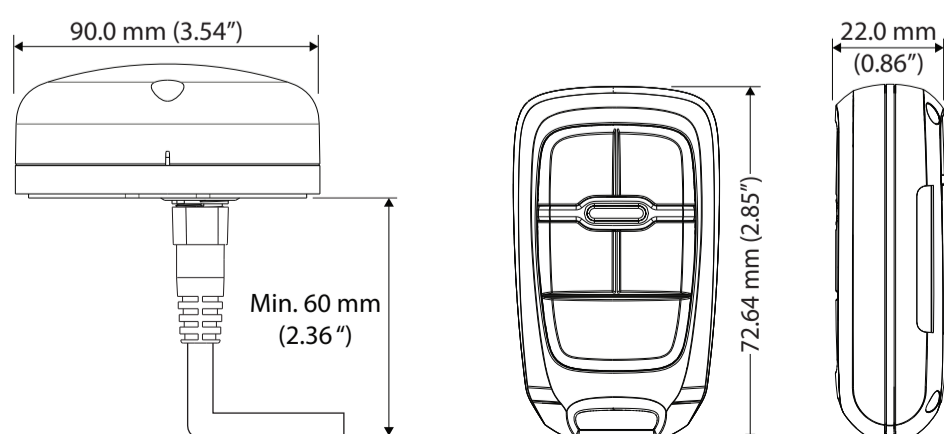
B&G

WR10 Wireless Autopilot Controller and BT-1 Bluetooth Base Station Quick Reference Guide



Specifications

Base station	
Power supply and interface	9-16 V DC via Micro-C network
Power consumption	<100 mA at 12 V DC
Temperature	Operating: -25°C to +60°C, Storage: -40°C to +85°C
Humidity	66°C, 95% RH, 18 hrs
Environmental protection	IPx7
In-rush current	2 A for 20 ms (@ internal 5 V)
Connection cable:	Micro-C drop cable 1.8 m (6 ft)
Signal wire gauge	24 AWG
Power wire gauge	22 AWG
Power wire resistance	5.7 ohms per 100 meters
Maximum current	3 A
Connector	Micro-C T-Joiner
Remote controller	
Power supply	2 AAA batteries
Temperature	Operating: -20°C to +55°C, Storage: -30°C to +70°C
Humidity	66°C, 95% RH, 18 hrs
Environmental protection	IPx6, IPx7
Operation	5 buttons
Communication	Bluetooth via Base station, range >30 m
Mounting	Lanyard strap or wrist mounted



Compliance statements

Europe

Navico declare under our sole responsibility that the product conforms with the requirements of:

- CE under RED 2014/53/EU

United States of America

Navico declare under our sole responsibility that the product conforms with the requirements of:

- Part 15 of the FCC Rules. Operation is subject to the following two conditions: (1) this device may not cause harmful interference, and (2) this device must accept any interference received, including interference that may cause undesired operation.

!Warning: The user is cautioned that any changes or modifications not expressly approved by the party responsible for compliance could void the user's authority to operate the equipment.

➔ **NOTE:** The equipment generates, uses and can radiate radio frequency energy and, if not installed and used in accordance with the instructions, may cause harmful interference to radio communications. However, there is no guarantee that the interference will not occur in a particular installation. If this equipment does cause harmful interference to radio or television reception, which can be determined by turning the equipment off and on, the user is encouraged to try to correct the interference by one or more of the following measures:

- Reorient or relocate the receiving antenna
- Increase the separation between the equipment and receiver
- Connect the equipment into an outlet on a circuit different from that of the receiver is connected
- Consult the dealer or an experienced technician for help

ISED Canada

This device complies with ISED (Innovation, Science and Economic Development) Canada's license-exempt RSSs. Operation is subject to the following two conditions: (1) This device may not cause interference; and (2) This device must accept any interference, including interference that may cause undesired operation of the device.

La traduction française de ce document est disponible sur le site Web du produit.

Australia and New Zealand

Navico declare under our sole responsibility that the product conforms with the requirements of:

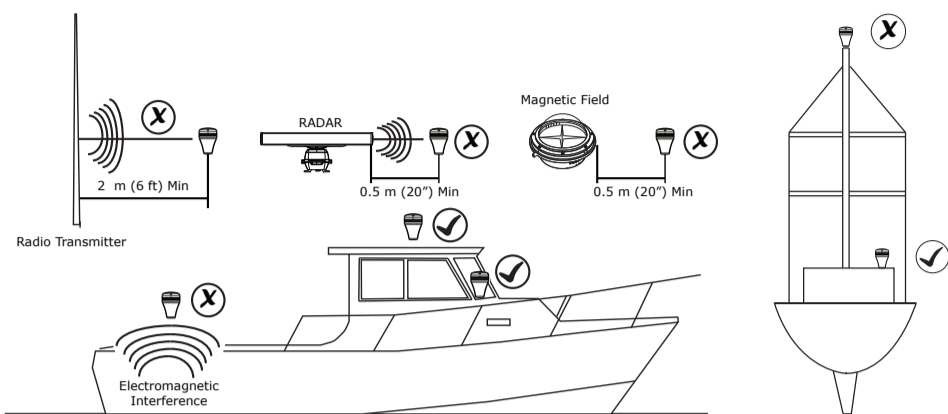
- Level 2 devices of the Radiocommunications (Electromagnetic Compatibility) standard 2017
- Radiocommunications (Short Range Devices) Standards 2014

Trademarks

The Bluetooth® word mark and logos are registered trademarks owned by the Bluetooth SIG, Inc. and any use of such marks by Navico is under license. Other trademarks and trade names are those of their respective owners.

Mounting location of base station

- Avoid installing the base station behind other electrical and electronic devices, as they may interfere with the signal and consistency of wireless communication.
- The base station should be at least 2 meters away from any other Bluetooth or wireless LAN (WiFi) transceiver.
- It is advisable to check Bluetooth connection throughout the boat by pairing the unit before permanently mounting the base station.



Pairing a remote to the base station

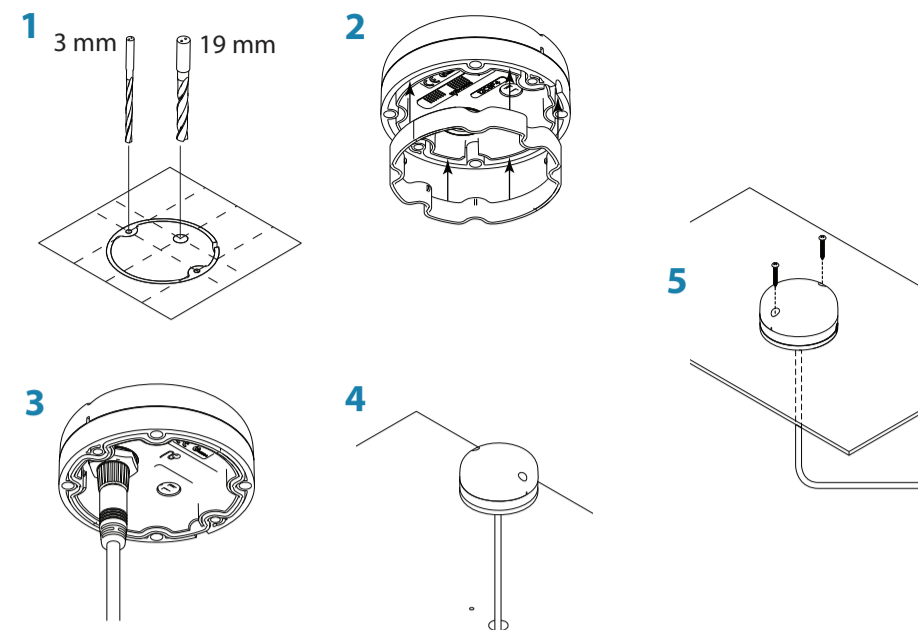
First, make sure that:

- The batteries in the remote are not low.
- The remote and the base station are placed as close together as possible.
- The AP system is OFF or in standby.

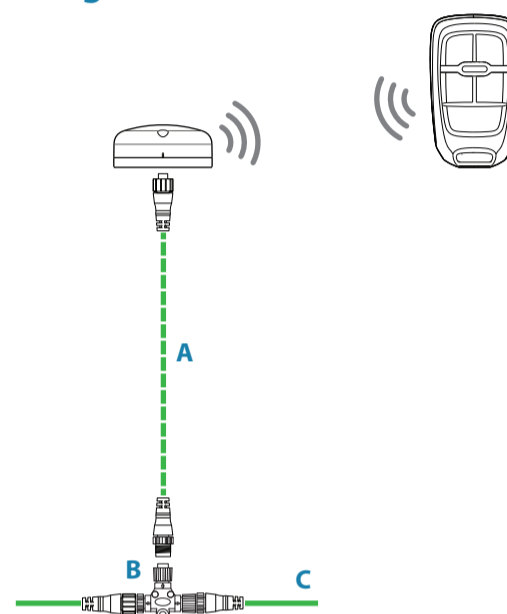
Then continue to:

1. Remove power from the base station.
2. Press and hold the buttons MODE and STBY on the remote for at least 5 seconds until a single quick green LED flashes. The remote is now in Discoverable mode and will stay in this mode for 60 seconds or until base station asks to pair.
3. Power up base station. For the first 10 seconds, the base station will search for Discoverable remotes.
4. Wait till remote quickly flashes the green LED every second, indicating that the base station is asking to pair.
5. Press the AUTO button for at least 1 second to start the pairing.
 - When successfully paired: The green LED will stay on for 2 seconds.
 - When pairing failed: The red LED will stay on for 2 seconds.

Surface mount the base station

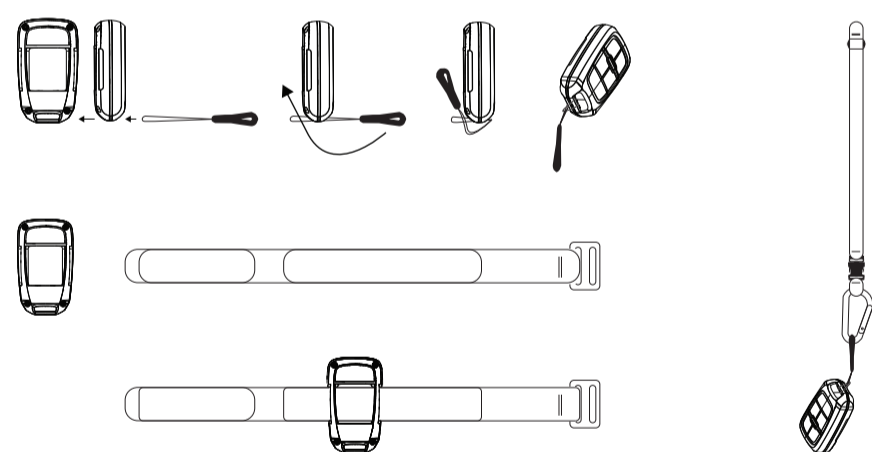


Wiring the base station



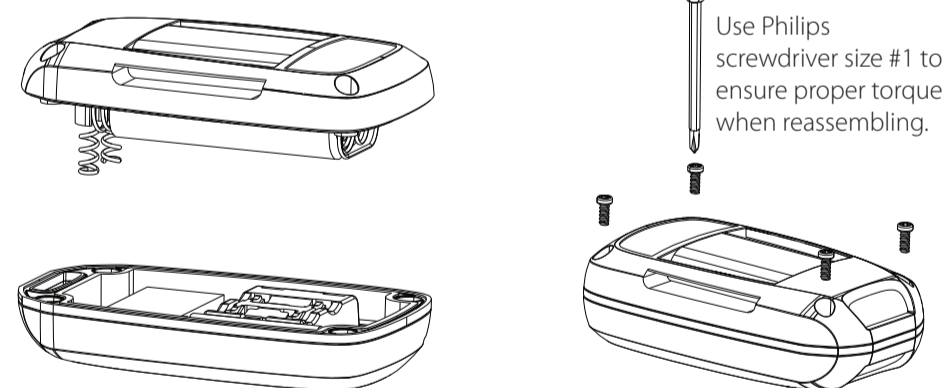
- A.** 1.8 m (6 ft) Micro-C drop cable (male to female)
- B.** Micro-C T-Joiner
- C.** Micro-C backbone

Use of Lanyard strap or wristband



Add/replace batteries

WR10 Wireless Autopilot Controller operates on 2 AAA batteries. Remove the cover to add or replace the batteries.



Operation

Keys and LED	Action	Mode:	Auto	Standby	Wind	NoDrift
< Left arrow Port or > Right arrow Starboard	Short press: Adjust 1° to Port/Starboard i.e. heading in Auto mode, course in NoDrift mode and wind angle in Wind mode.		√		√	√
	Long press (2s): Adjust 10° to Port/Starboard i.e. heading in Auto mode, course in NoDrift mode and wind angle in Wind mode.		√		√	√
< Left arrow + > Right arrow	Autotack (in Wind mode), press and hold until LED is flashing green rapidly, then press AUTO to confirm.				√	
STBY	Place the autopilot into Standby mode.		√		√	√
MODE	Changes the autopilot mode:					
	1. Boats set to SAIL: Toggles AUTO and WIND modes.		√		√	
	2. Other boat types: Toggles AUTO and NoDrift modes.		√			√
AUTO	Engages the autopilot into AUTO mode.			√	√	√
LED*	Green for 1s indicates message acknowledged. Red for 1s indicates message is either rejected or not acknowledged.		√	√	√	√
	Green rapid flashes for up to 10s, followed by solid green for 1s. Red for 1s indicates message is either rejected or not acknowledged.				√	

→ **Note:** * In addition to the LED behaviour specified: Red will flash for 1s every 10s when battery level is low.

Discover other marine GPS navigation on our website.