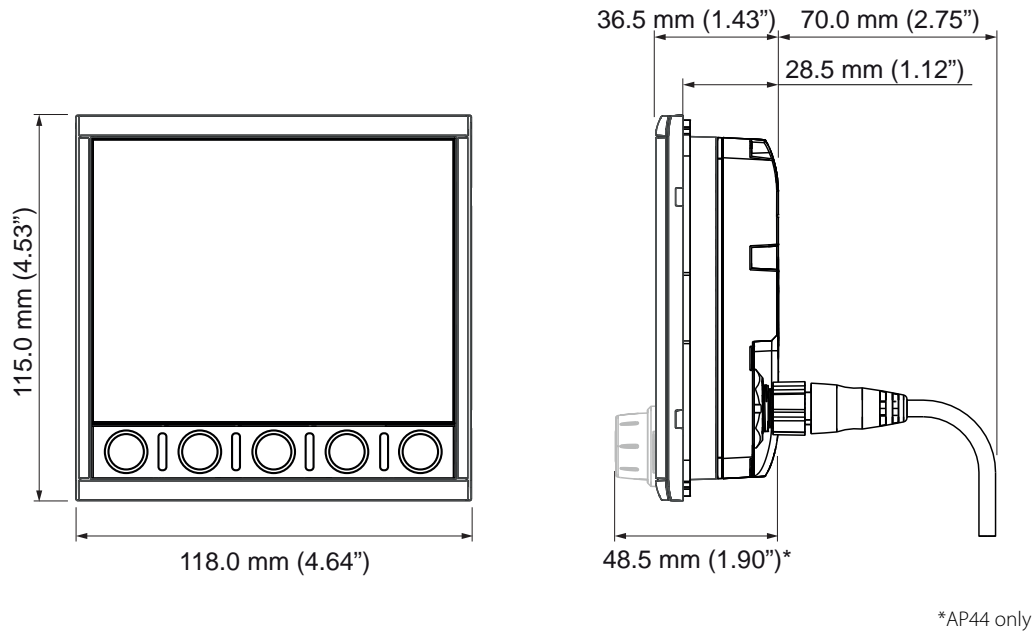


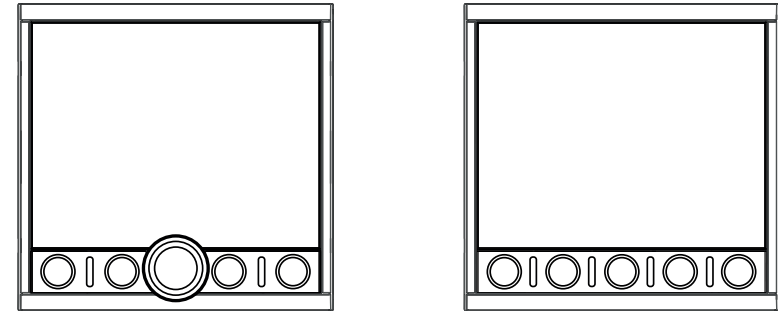
Dimensions



SIMRAD

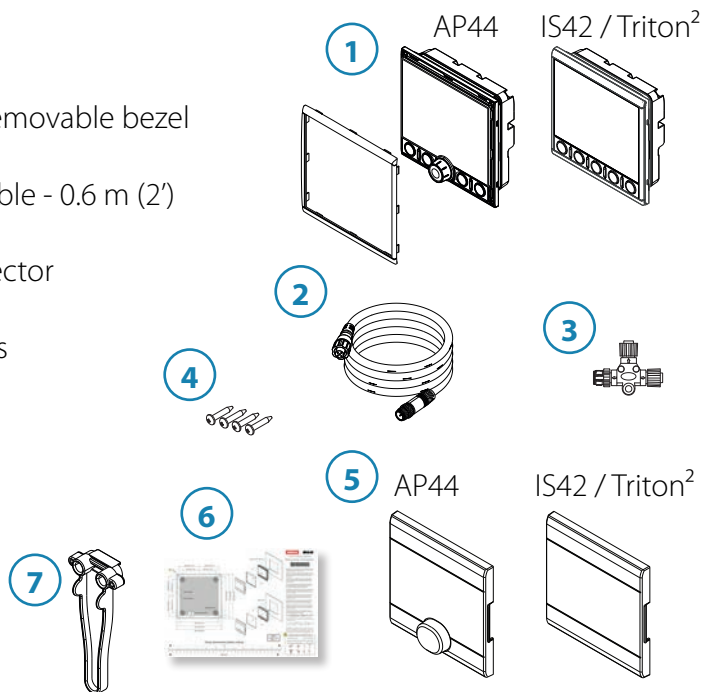
B&G

AP44 / IS42 / Triton² INSTALLATION GUIDE

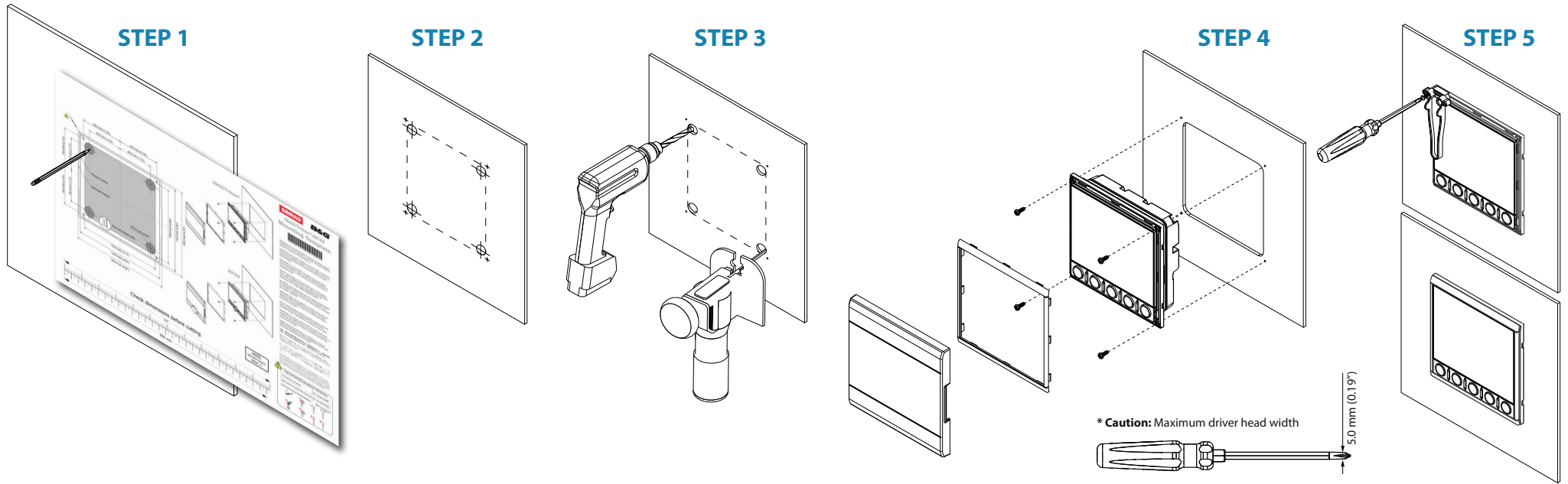


Parts included

- 1 x Display unit + Removable bezel
- 1 x Micro-C Drop cable - 0.6 m (2')
- 1 x Micro-C T-Connector
- 4 x Mounting screws
- 1 x Suncover
- Mounting template
- Screw jig

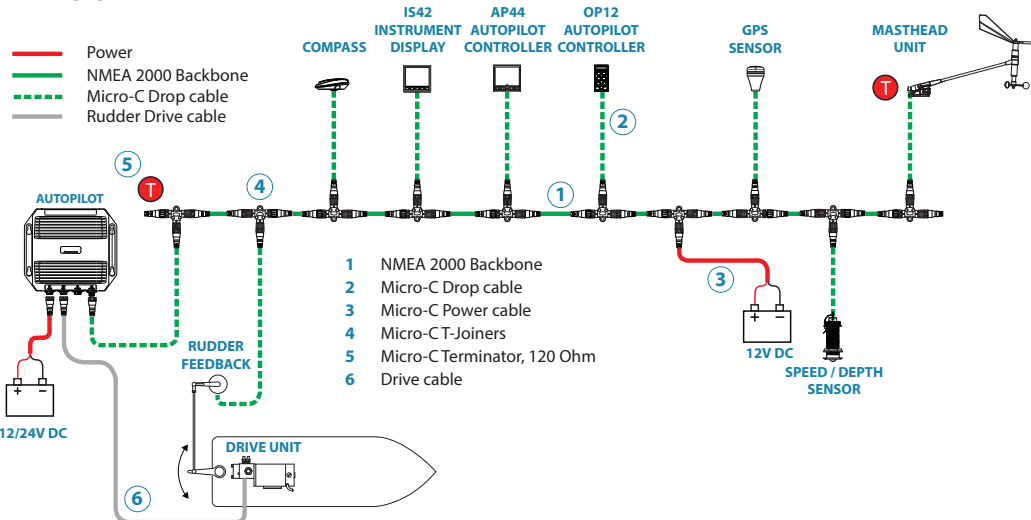


Mounting

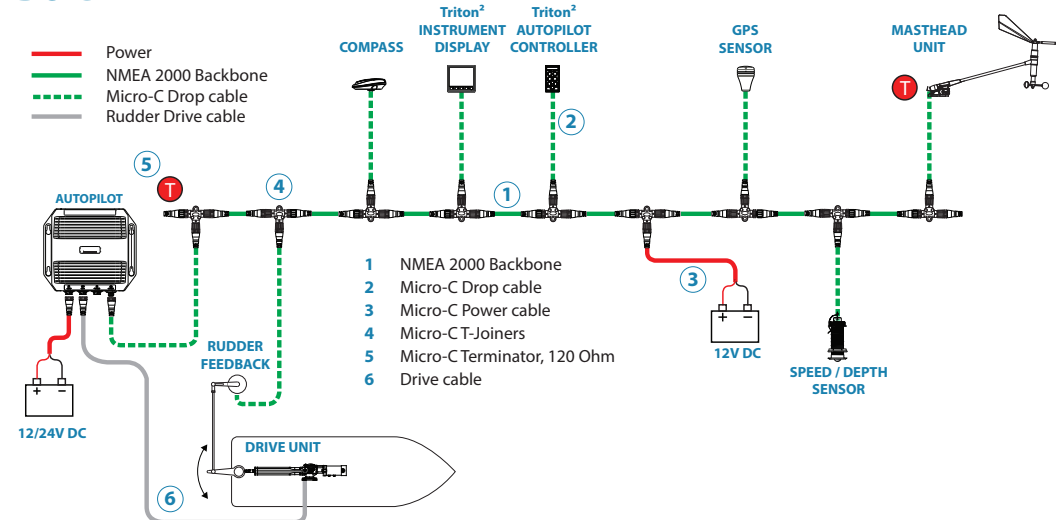


System wiring example

Simrad



B&G



Shop for other marine electronics & navigation on our website.