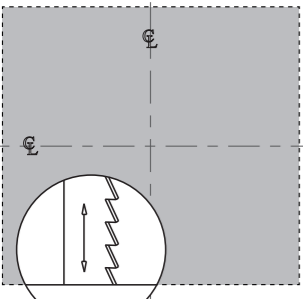
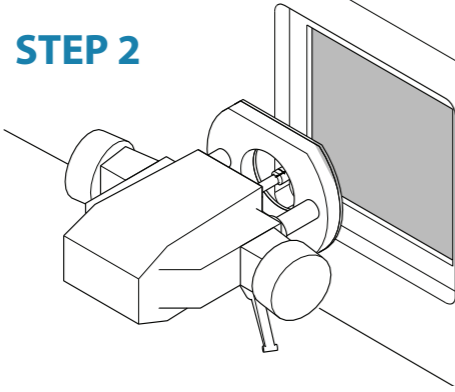


# Installation

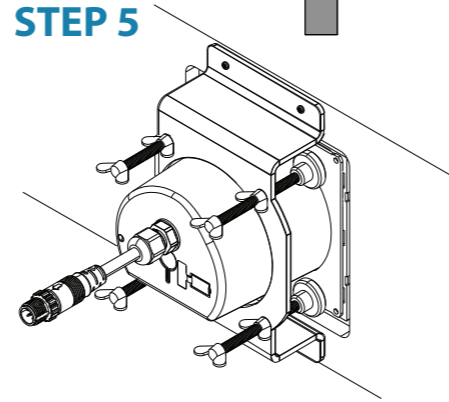
## STEP 1



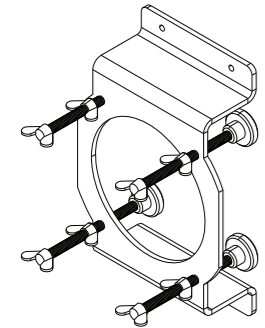
## STEP 2



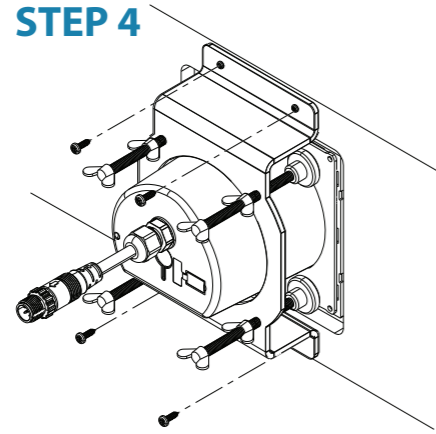
## STEP 5



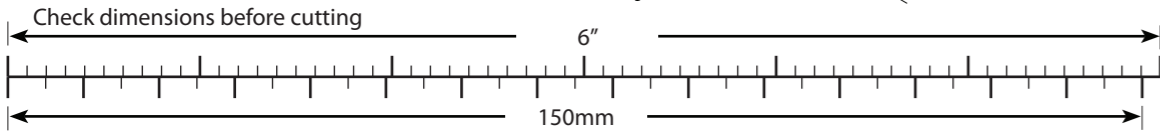
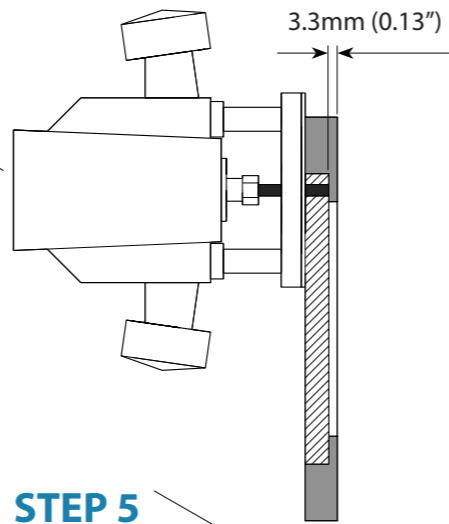
## STEP 3




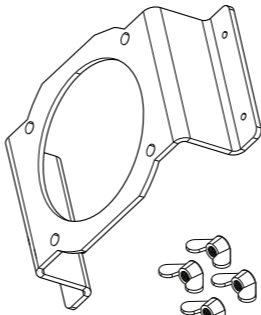
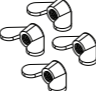
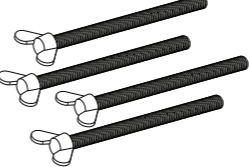

## STEP 4



3.3mm (0.13")



# Supplied parts

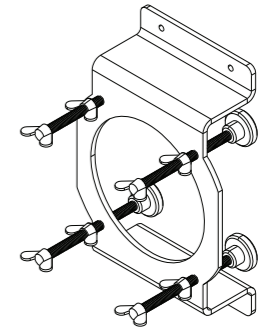
-  4 x #4 self tapping screws
-  1 x Mounting clamp
-  4 x Wing nuts
-  4 x Bolts
-  4 x Bolt pads

**SIMRAD**

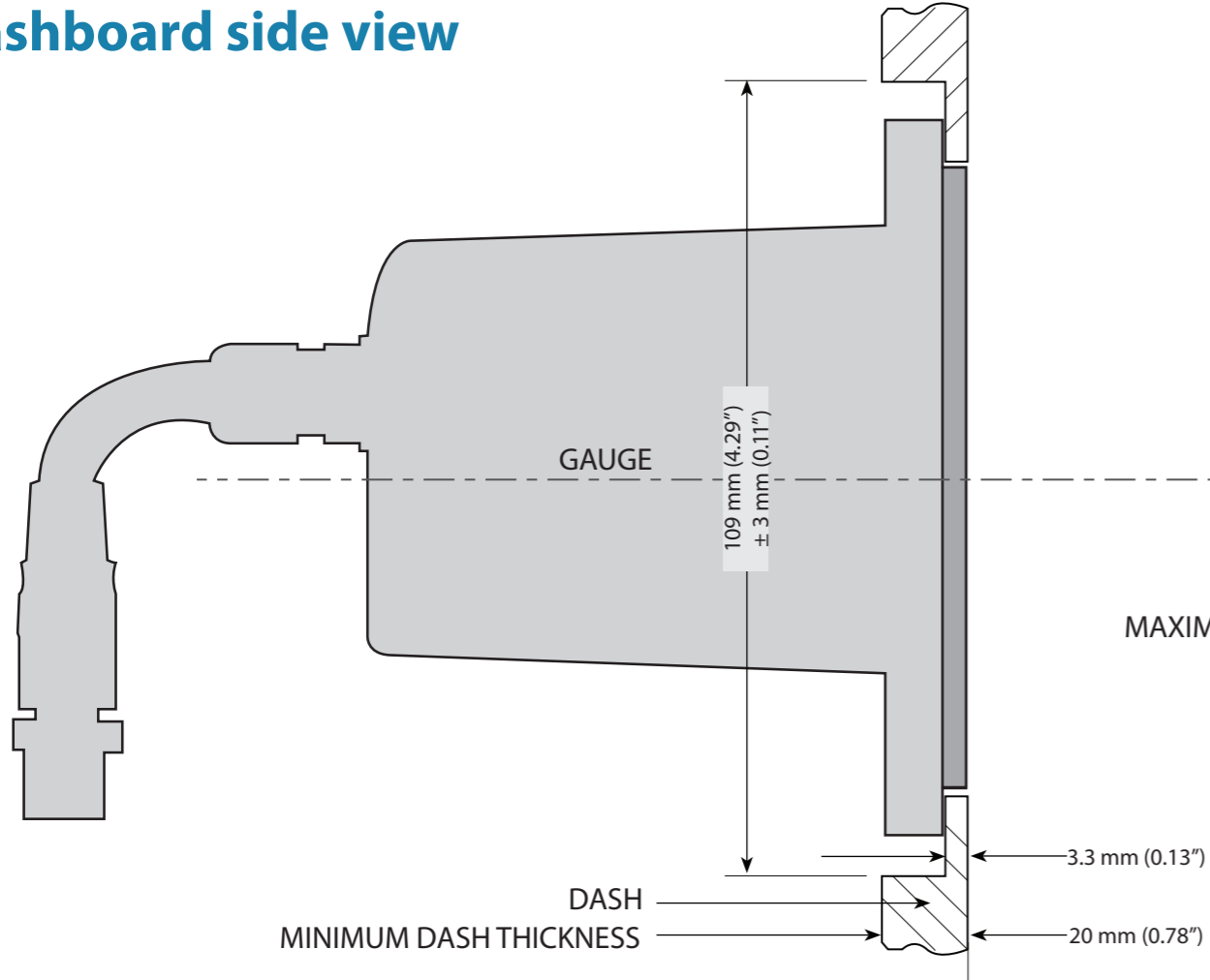
## IS35 Color Gauge

Rear mounting clamp  
Installation guide

ENGLISH



# Dashboard side view



# Cutting guide

