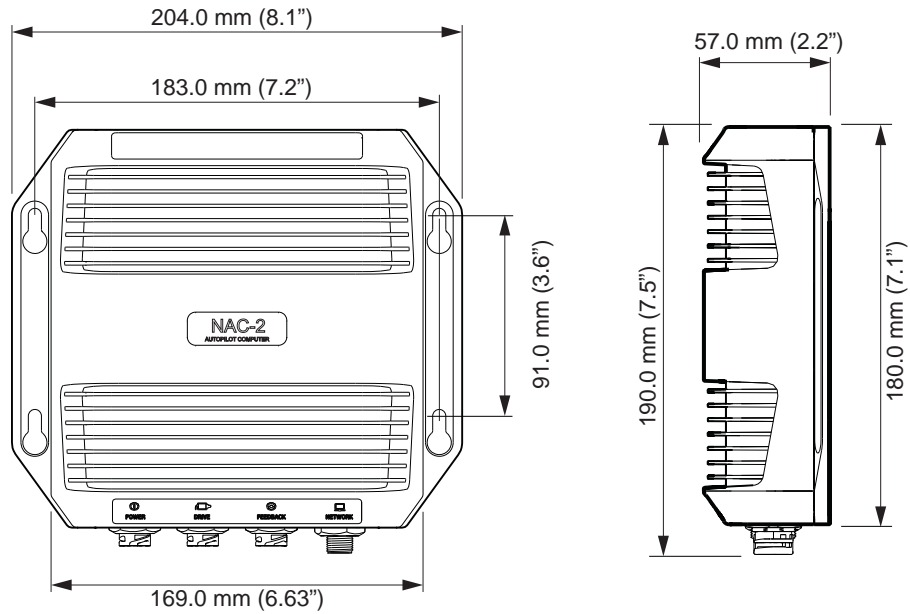
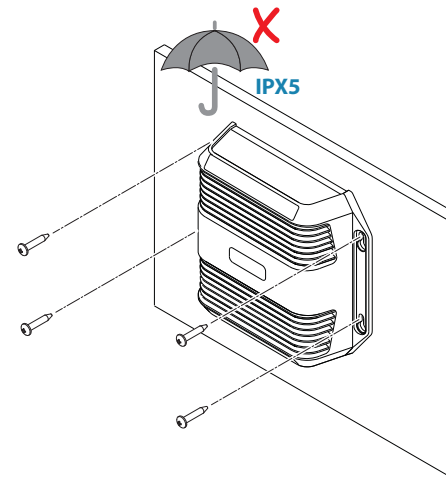


## Dimensions



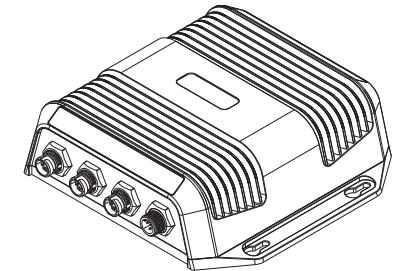
## Mounting



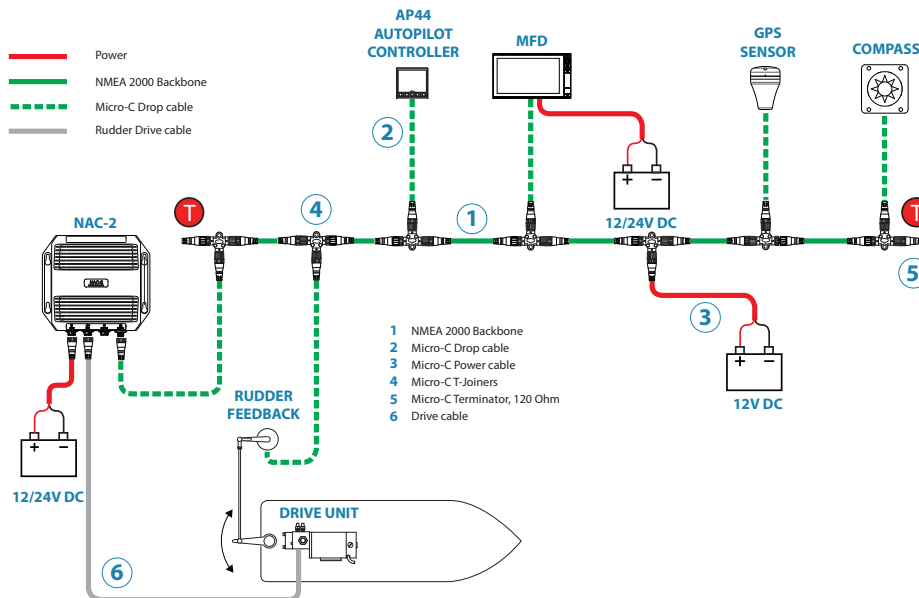
**SIMRAD**

**B&G**

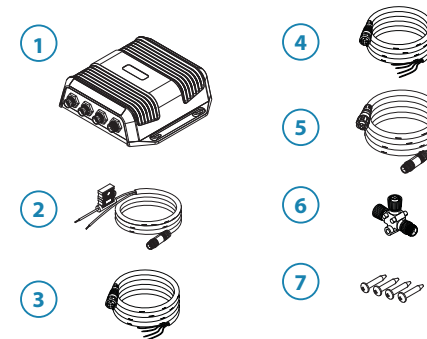
## NAC-2 AUTOPILOT COMPUTER INSTALLATION GUIDE



## System wiring example

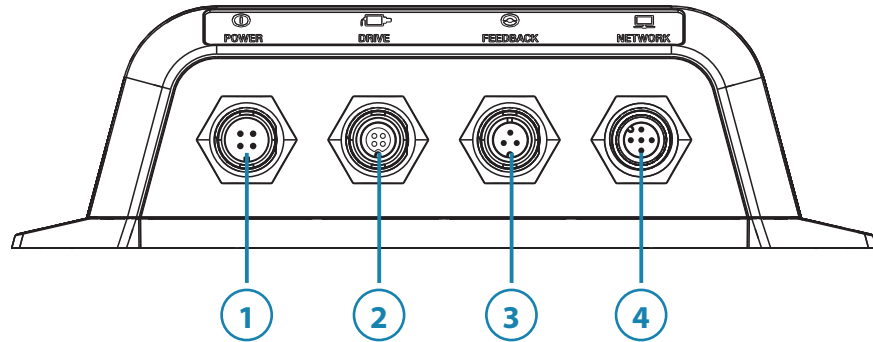


## Parts included



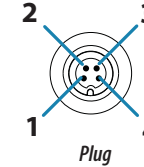
1. 1 x NAC-2 Autopilot Computer - IPX5
2. 1 x NAC-2 Power cable - 2 m
3. 1 x NAC-2 Drive cable - 2 m
4. 1 x NAC-2 Feedback cable - 2 m
5. 1 x NMEA 2000 Network cable - 0.6 m
6. 1 x Micro-C T-Joiner
7. 4 x Fixing screws
8. Warranty card & literature pack

## Connectors & Wiring

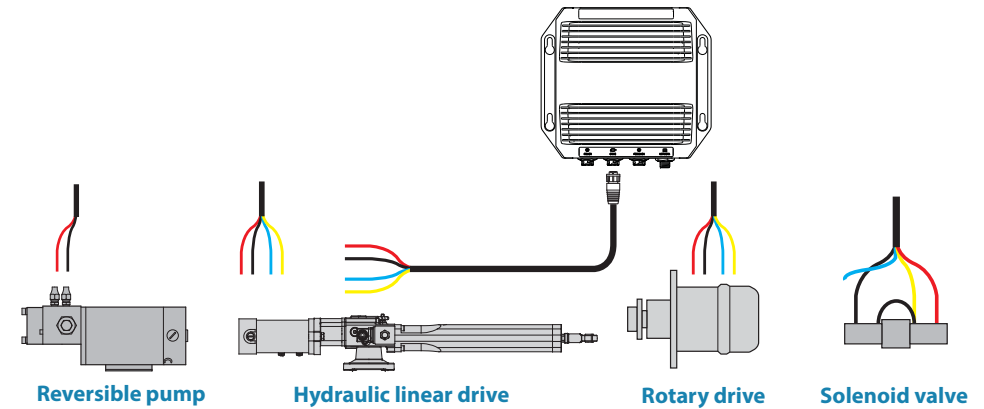


1. **Power** (12 / 24 V DC) - Max 8A/12A Continuous/Peak
2. **Drive** (Drive unit) - Max 8A/12A Continuous/Peak
3. **Feedback** (Rudder reference - Resistive feedback units only)
4. **Network** (NMEA 2000)

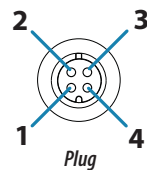
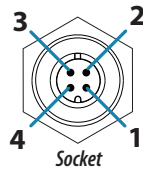
## Drive (Max 8A/12A Continuous/Peak)



Key	Function	Color
1	Clutch GND/Solenoid Common	Yellow
2	Clutch	Blue
3	Motor_A	Red
4	Motor_B	Black

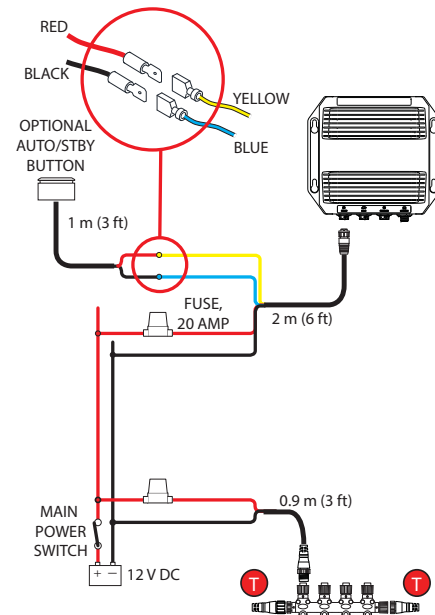


## Power

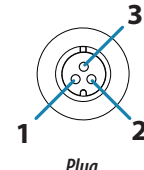
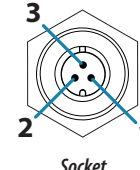


Key	Function	Color
1	-0V DC	Black
2	+ 12 / 24V DC	Red
3	Auto/ Standby button (Optional)	Yellow
4		Blue

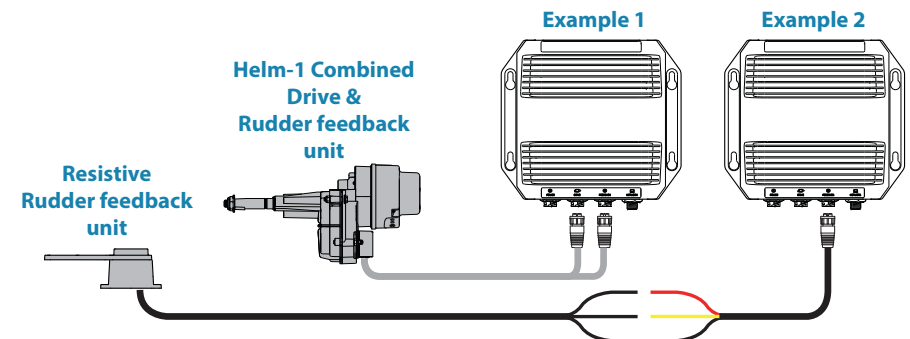
## Auto/Stby button (optional)



## Feedback



Key	Function	Color
1	+ 5V DC	Red
2	Signal	Yellow
3	-0V DC	Black



**Note:** Navico NMEA 2000 Rudder feedback units should be connected directly to the NMEA 2000 backbone.