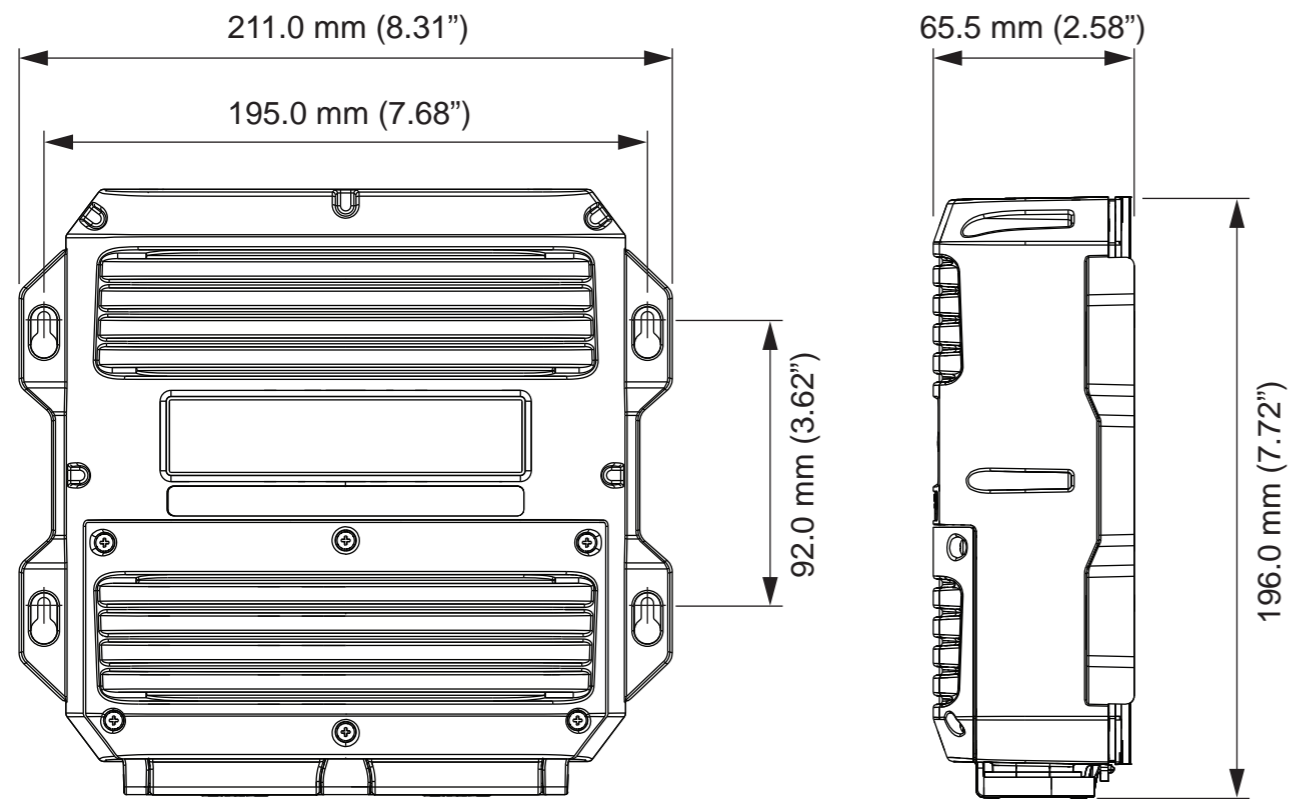
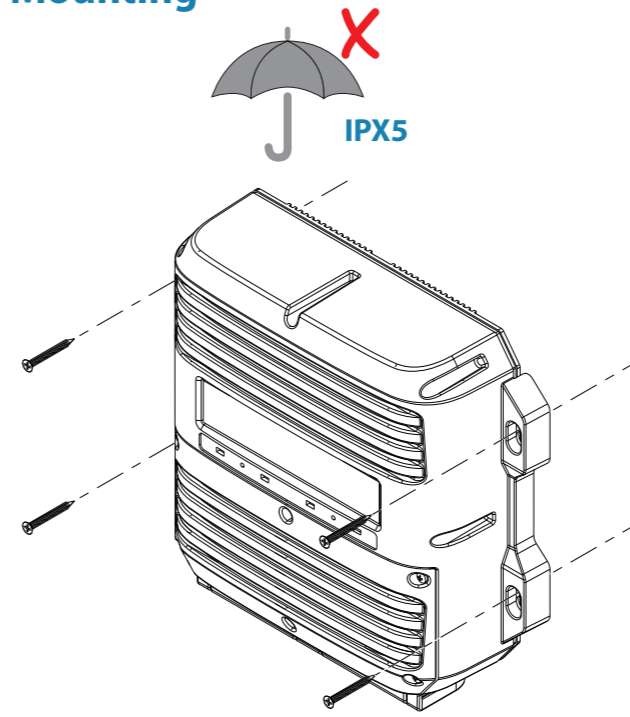


Dimensions



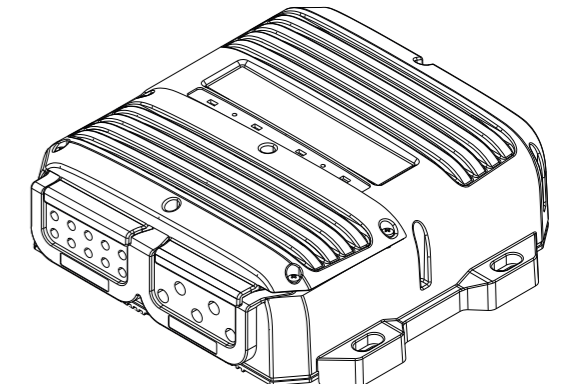
Mounting



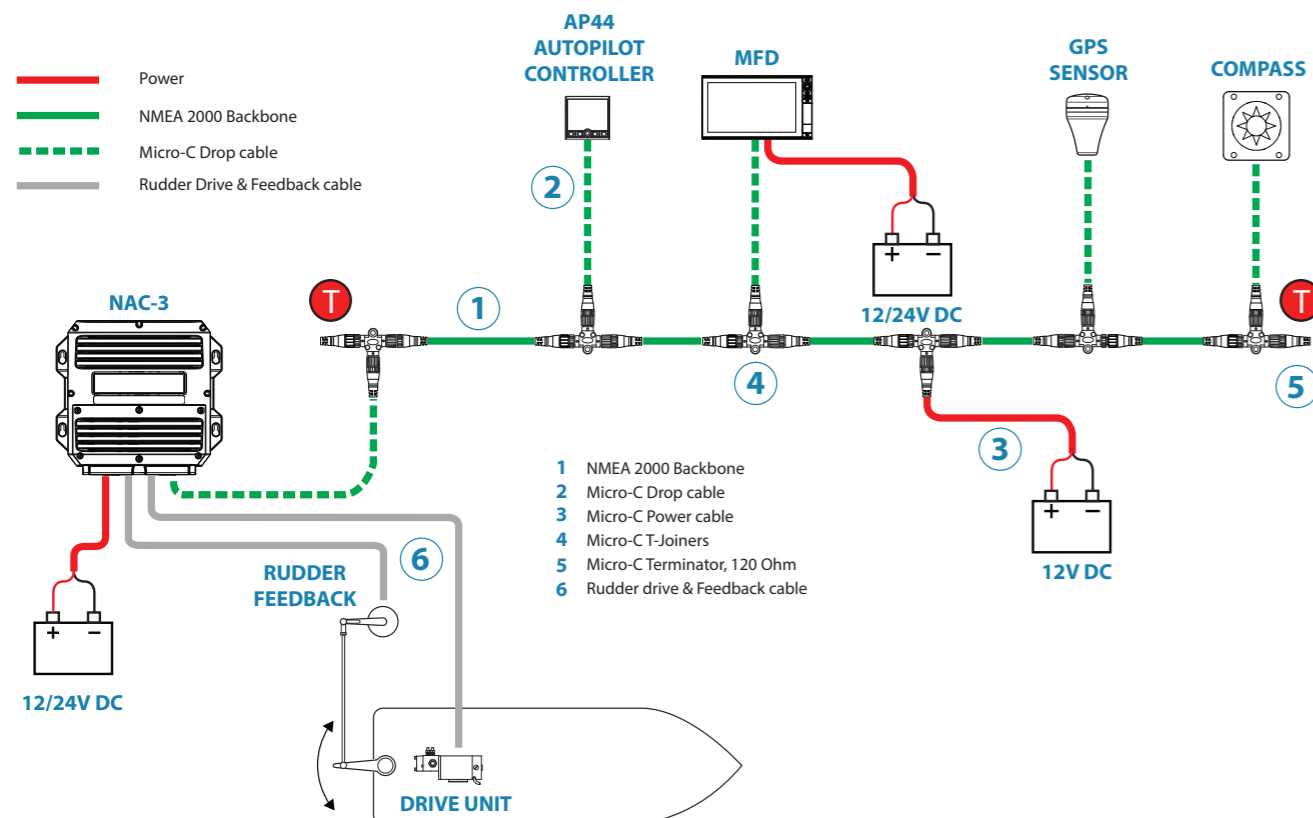
SIMRAD

B&G

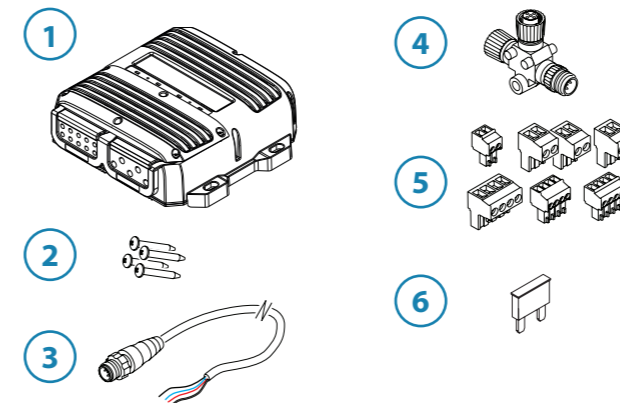
NAC-3 AUTOPILOT COMPUTER INSTALLATION GUIDE



System wiring example

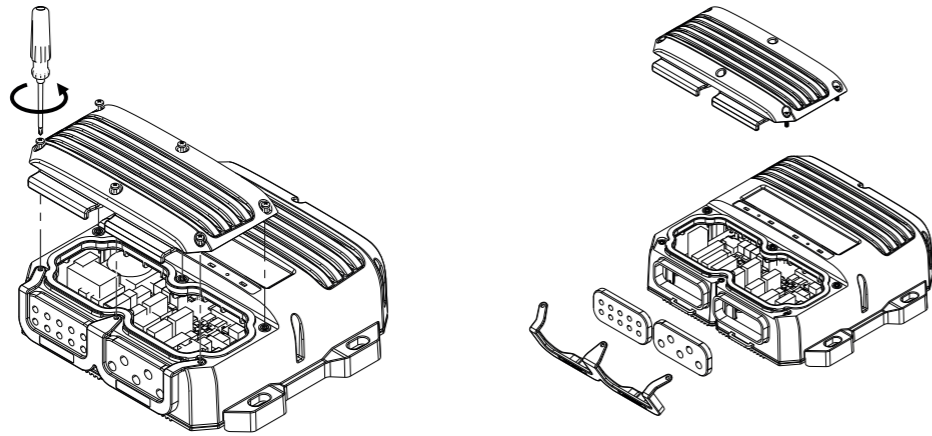


Parts included

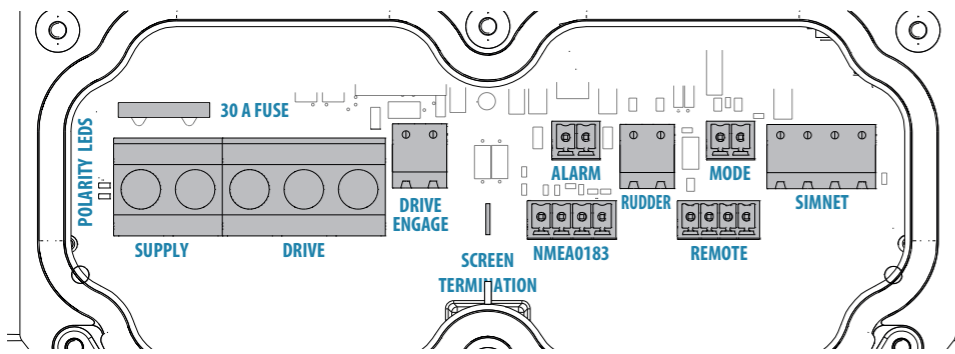


- 1 x NAC-3 Autopilot Computer - IPX5
- 4 x Fixing screws
- 1 x Micro-C Drop cable (male) - 0.6 m
- 1 x Micro-C T-Joiner
- 7 x Connectors
- 1 x 30 Amp fuse
- Warranty card & literature pack

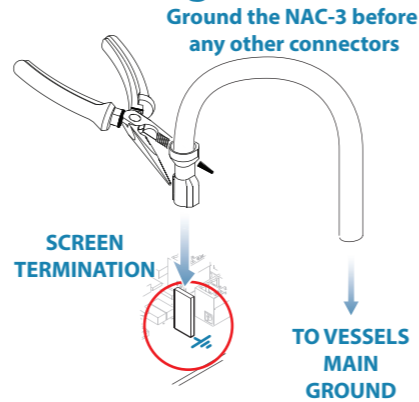
Terminal access



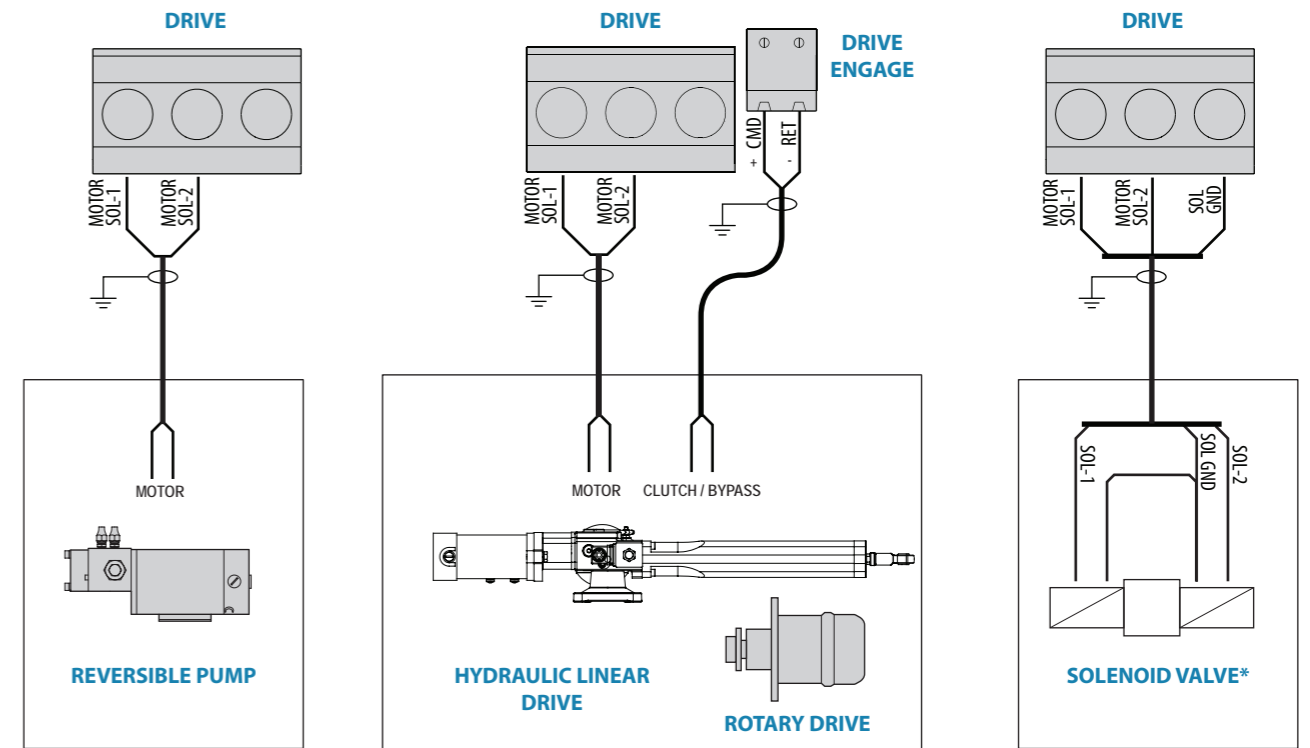
Terminal layout



Grounding



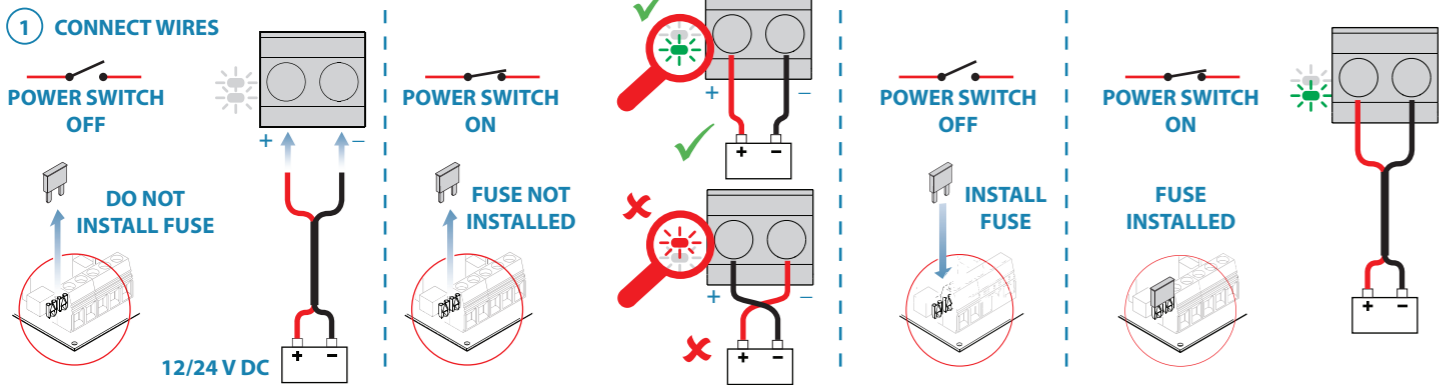
Drive units (Max 8A/12A Continuous/Peak)



NOTE:
 NAC-3 Autopilot cannot operate externally powered solenoids unless installing isolating relays.
 NAC-3 Autopilot ne peut pas commander des électrovannes sans utiliser un relais isolé.
 NAC-3 Autopilot kann keine extern gespeisten Magnetventile ansteuern sofern keine isolierten Relais installiert sind.
 NAC-3 Autopilot kan ikke kobles mot magnetventiler med eksternt tilført spenning uten at man benytter eksterne releer.

* Solenoid valves, 12 or 24V DC, powered from NAC-3 Autopilot

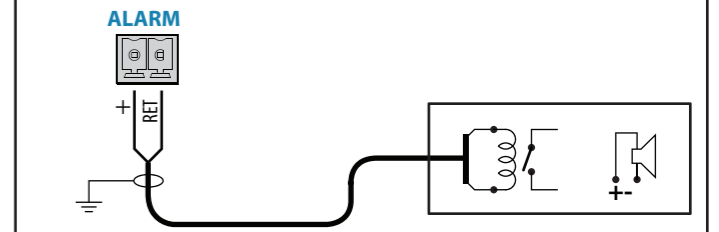
Power



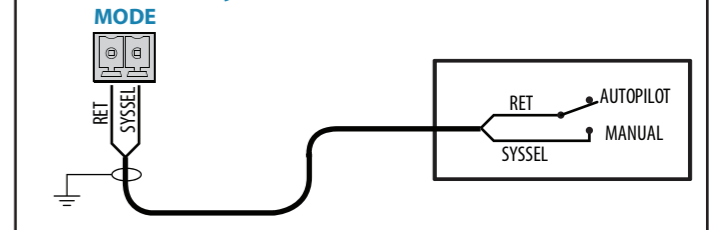
Rudder Feedback (Frequency rudder feedback)



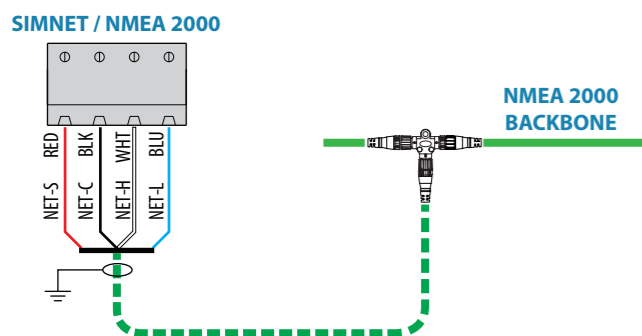
External Alarm



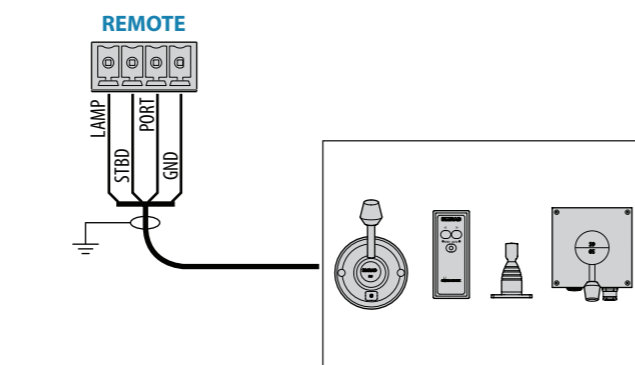
External System Selector



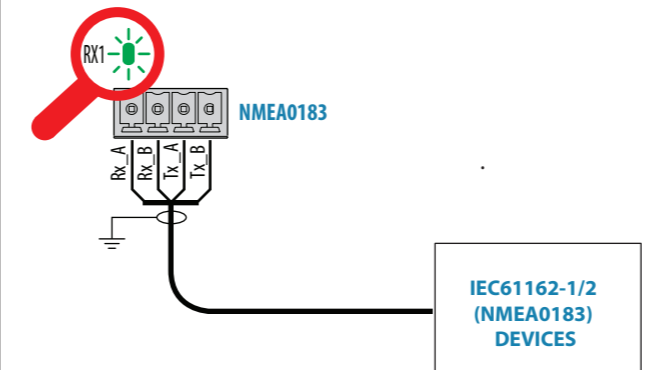
Network



Remotes



NMEA 0183



External I/O

