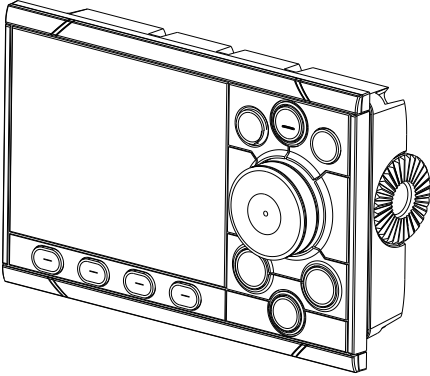


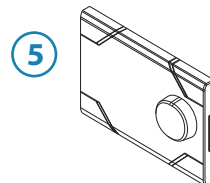
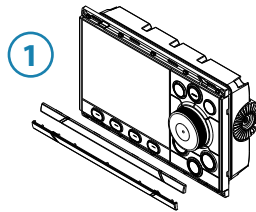
**SIMRAD**

# AP48 INSTALLATION GUIDE

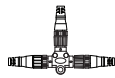


## Parts

1. Display unit and removable bezels
2. Micro-C drop cable - 4.5 m (15')
3. Micro-C T-connector
4. Panel mounting kit
5. Suncover
6. Documentation pack



# System wiring example



Micro-C T-connector Micro-C



terminator, 120 Ohm Micro-C



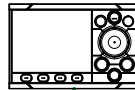
power cable NMEA 2000



backbone Micro-C drop cable



AP48  
AUTOPILOT  
CONTROLLER



AUTOPILOT  
CONTROLLER



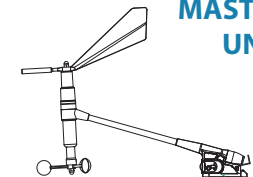
MULTIFUNCTION  
DISPLAY



GPS  
SENSOR



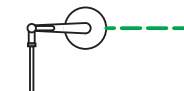
MASTHEAD  
UNIT



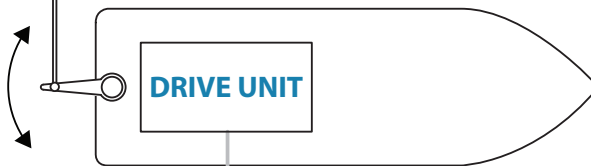
COMPASS



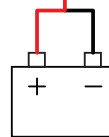
RUDDER  
FEEDBACK



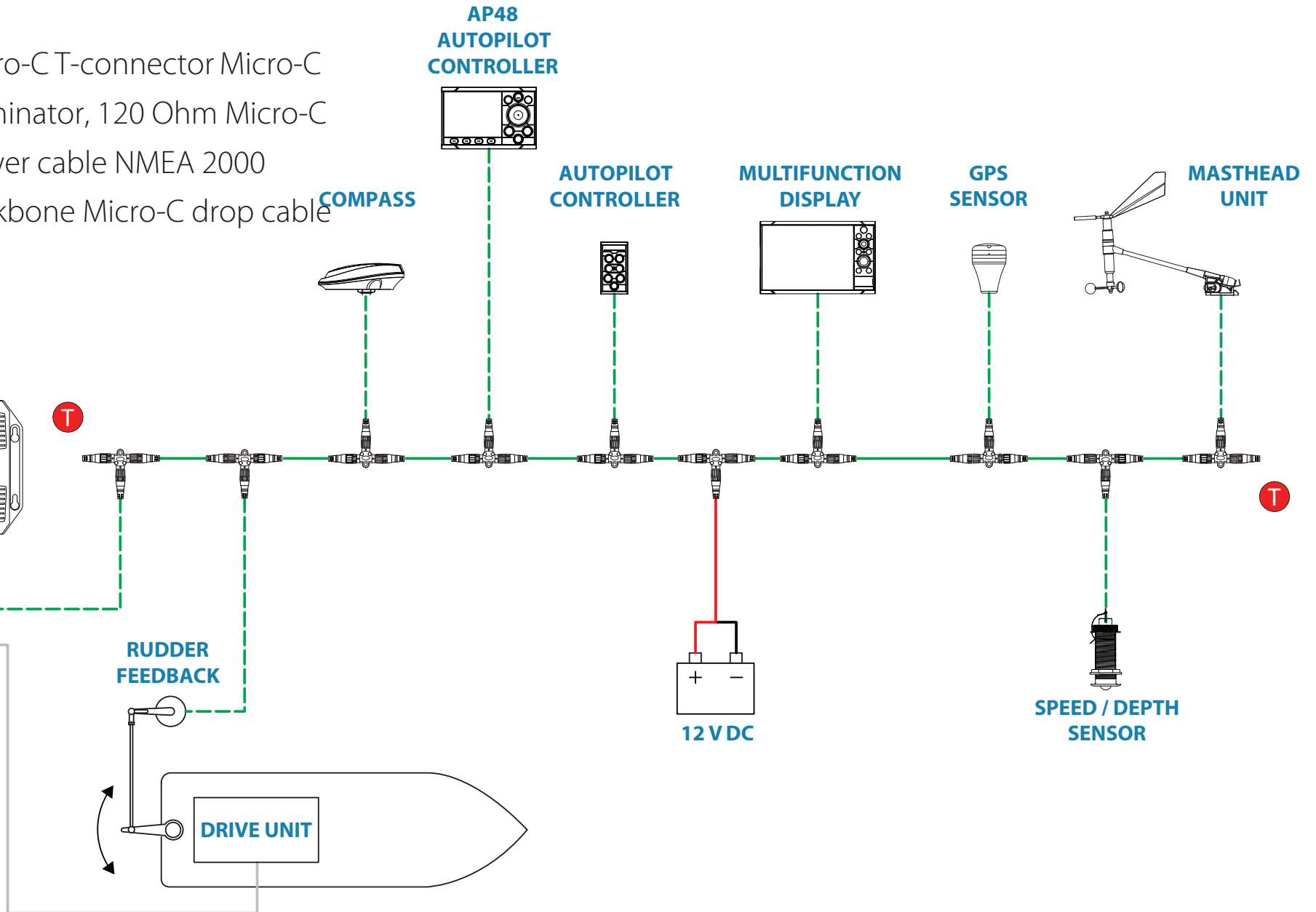
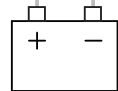
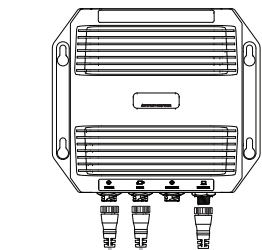
DRIVE UNIT



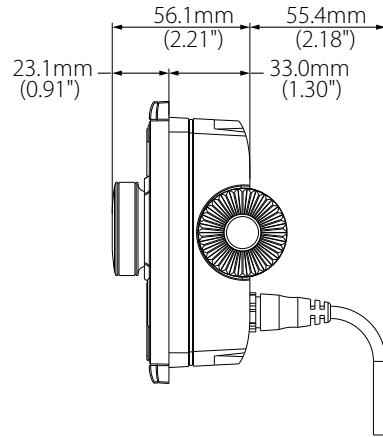
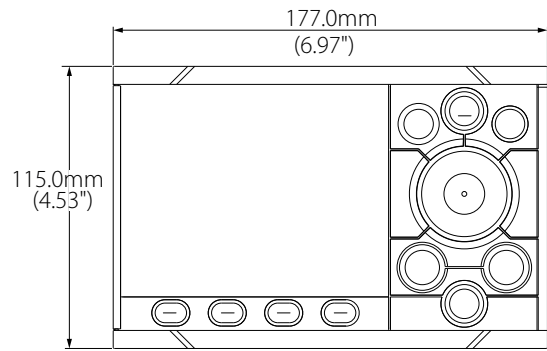
12 VDC



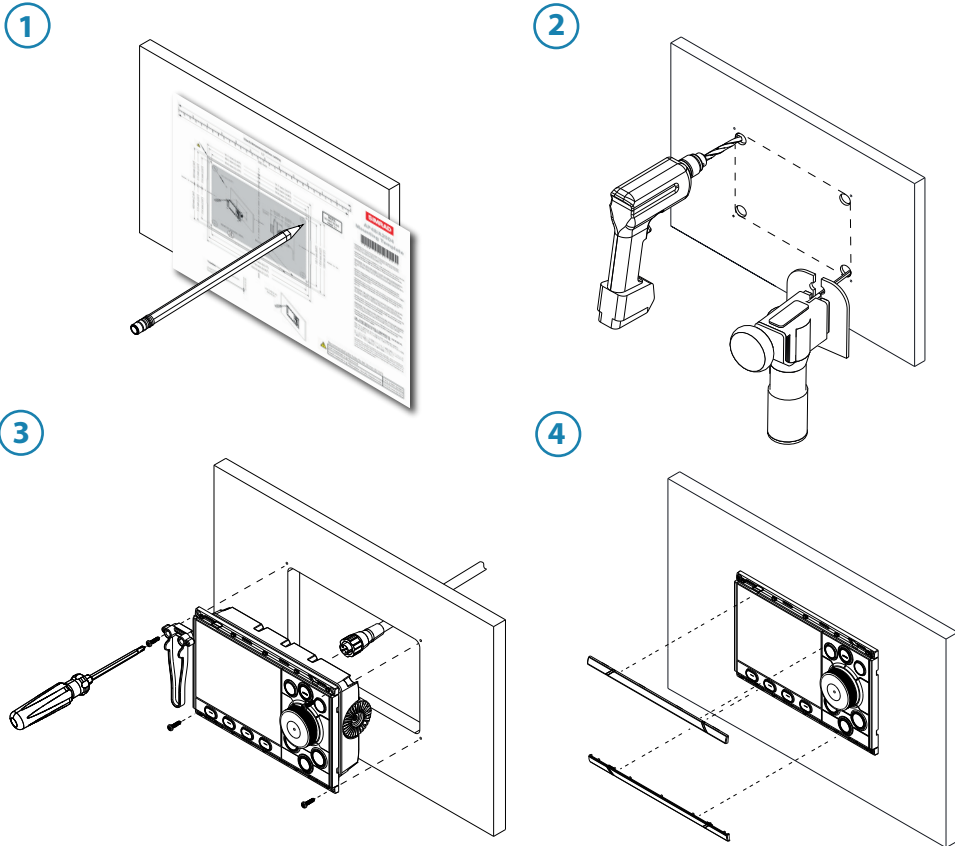
SPEED / DEPTH  
SENSOR



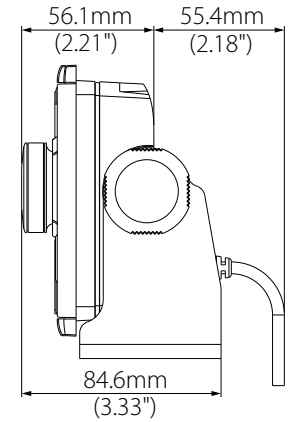
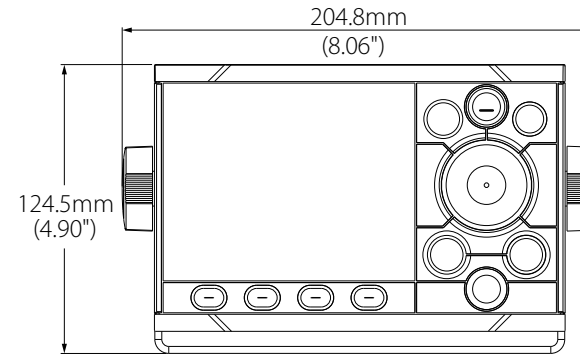
## Dimensions



## Mounting



## Dimensions with bracket (sold separately)



## Mounting

