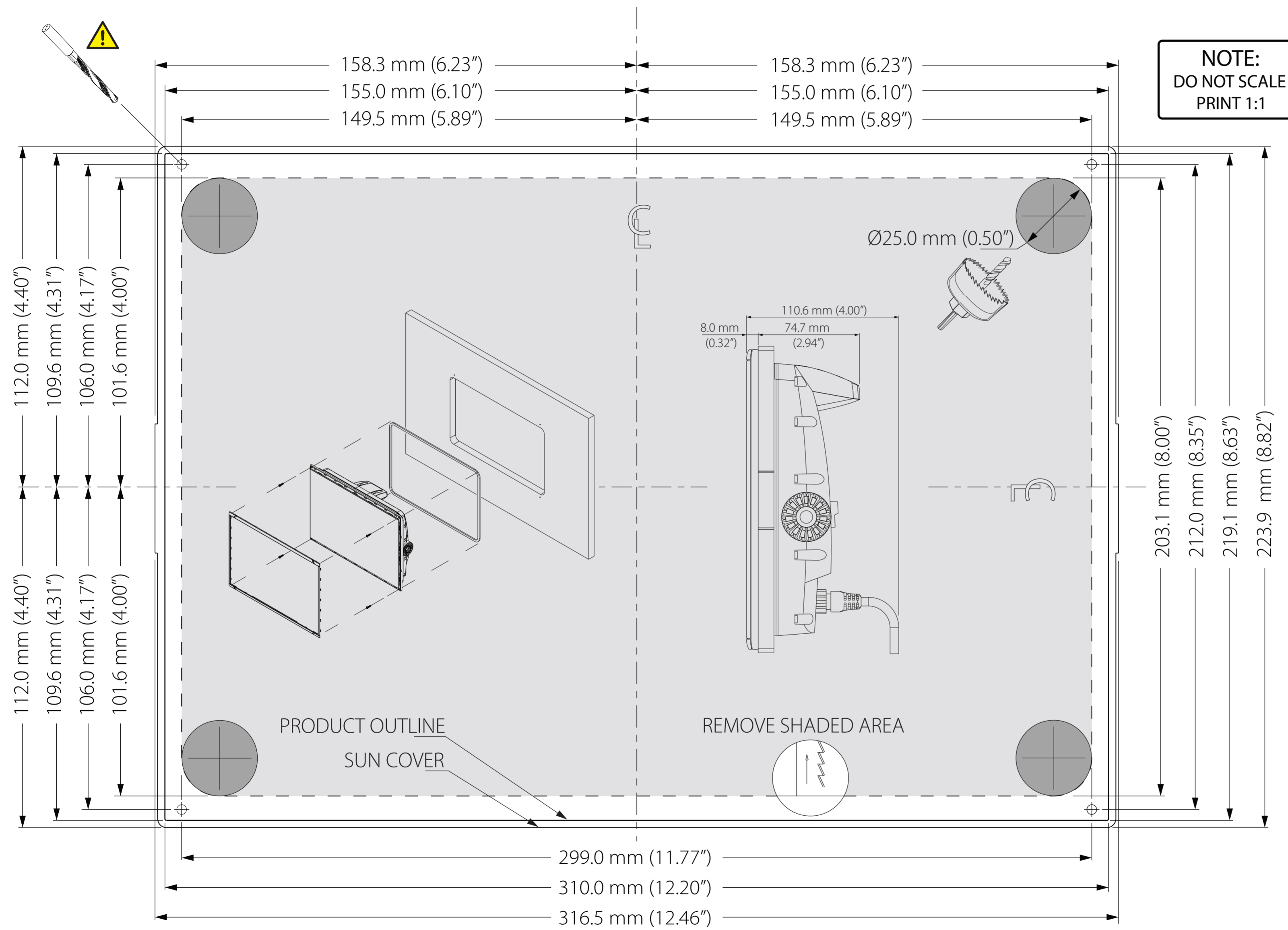
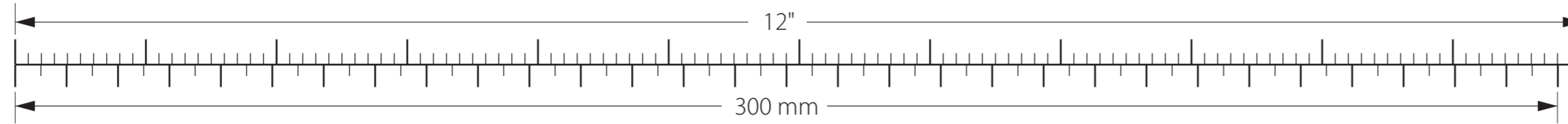


GO12 XSE/Vulcan12R Mounting Template

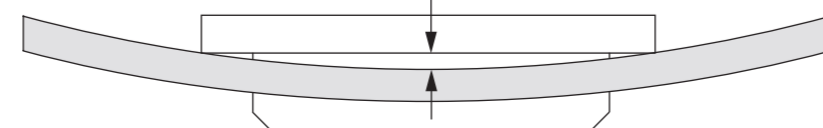
Check dimensions before cutting



NOTE:
DO NOT SCALE
PRINT 1:1

IMPORTANT. Do not use this template if it has been rescaled by copying or printing. If this is not the original, or is a print from a file, please check the dimension lines below are to scale before use.

Maximum curve of the dash
1 mm (0.04")



⚠ Recommended pilot holes

Material	#4 screw	#6 screw
Soft materials e.g. Plywood	Ø 1.9-2.2 mm (5/64")	Ø 2.3-2.5 mm (3/32")
Hard material e.g. Fiberglass, Acrylic, Hardwoods	Ø 2.3-2.6 mm (3/32")	Ø 2.7-3.1 mm (7/64")