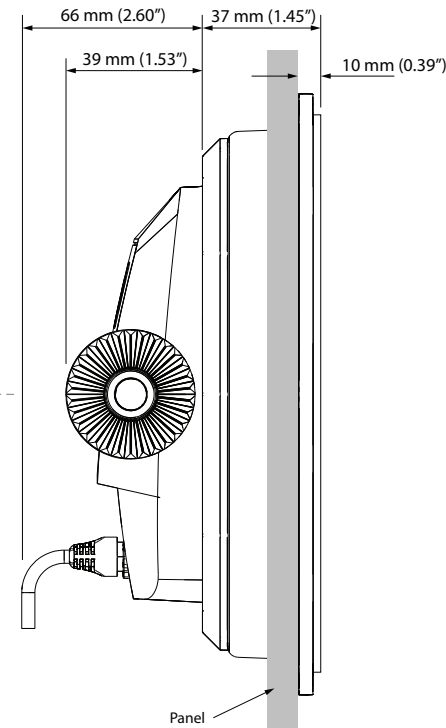
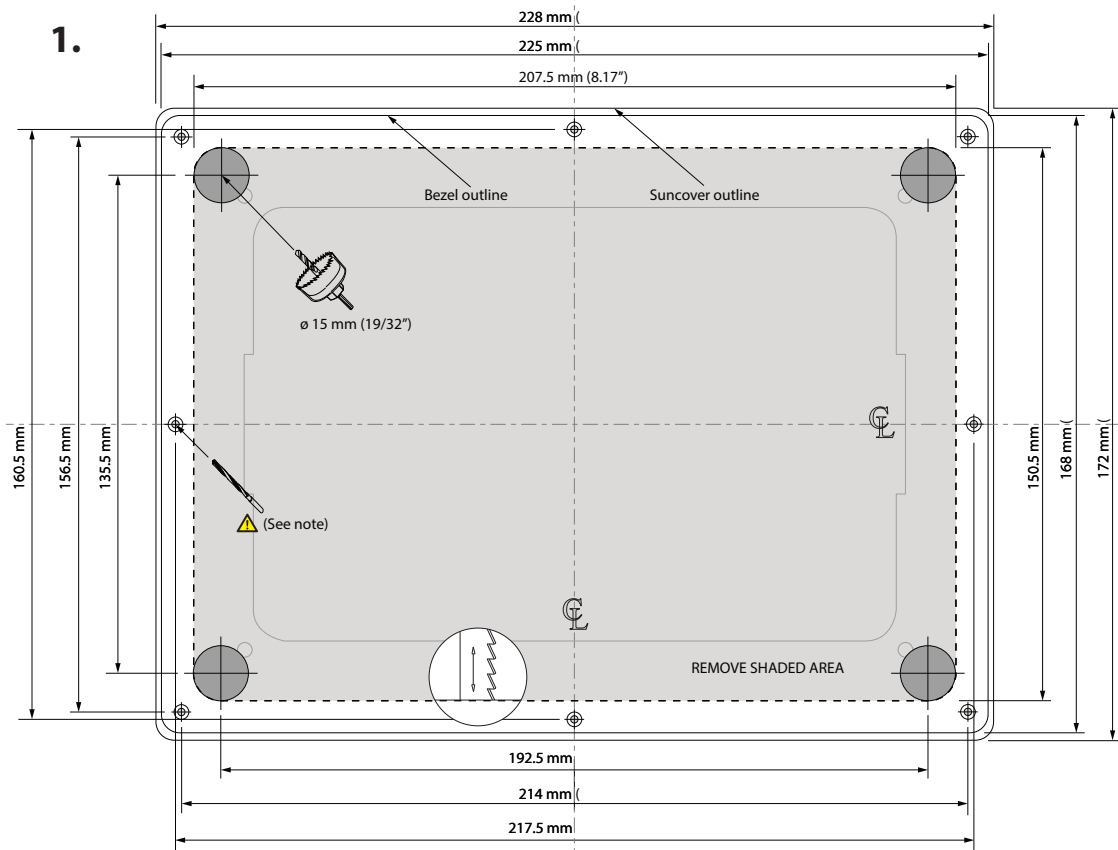
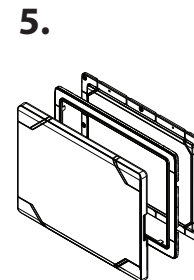
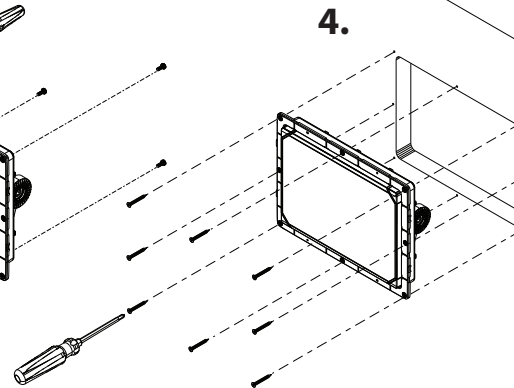
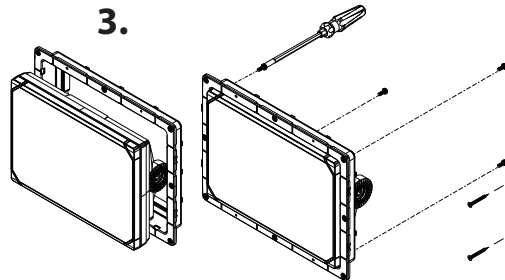
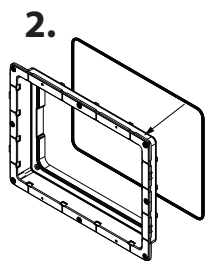


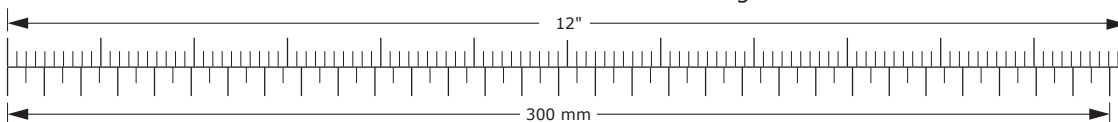
VULCAN 7 / GO7



IMPORTANT. Do not use this template if it has been rescaled by copying or printing. If this is not the original, or is a print from a file, please check the dimension lines below are to scale before use.



Check dimensions before cutting



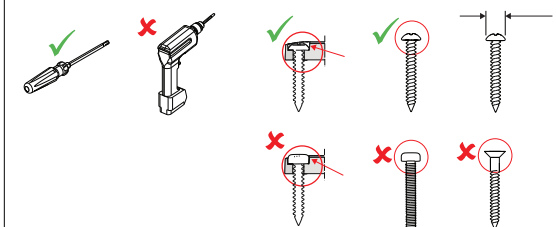
NOTE:
 DO NOT SCALE
 PRINT 1:1



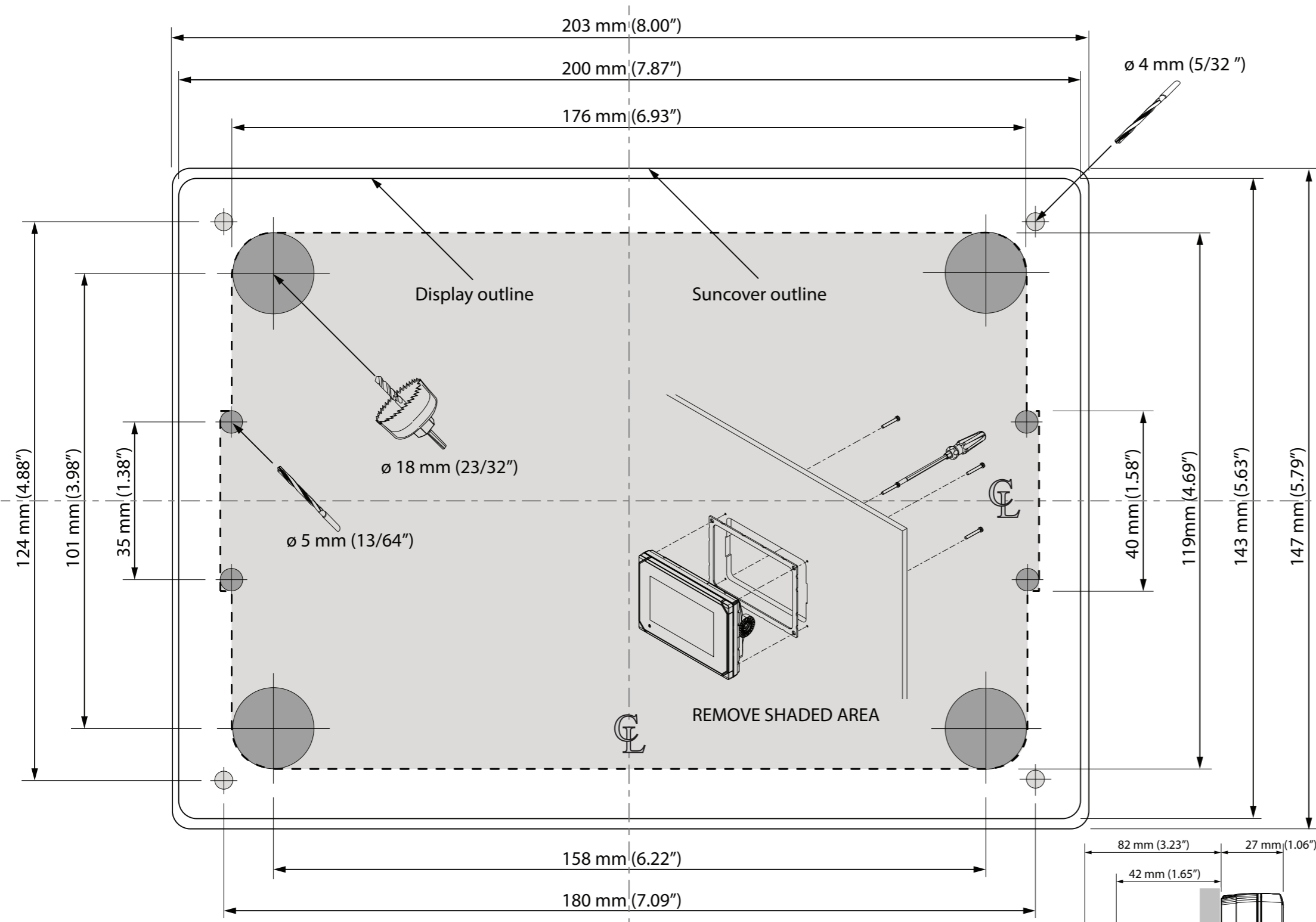
Important drill bit size selection information

Soft materials e.g. Plywood	1.9 - 2.3 mm (5/64")
Hard materials e.g. GRP, Acrylic, hardwoods	2.3 - 2.5 mm (3/32")

Front mount screw recommendations



Mounting Template
VULCAN 7 / GO7



IMPORTANT. Do not use this template if it has been rescaled by copying or printing. If this is not the original, or is a print from a file, please check the dimension lines below are to scale before use.

CHECK DIMENSIONS BEFORE CUTTING!

