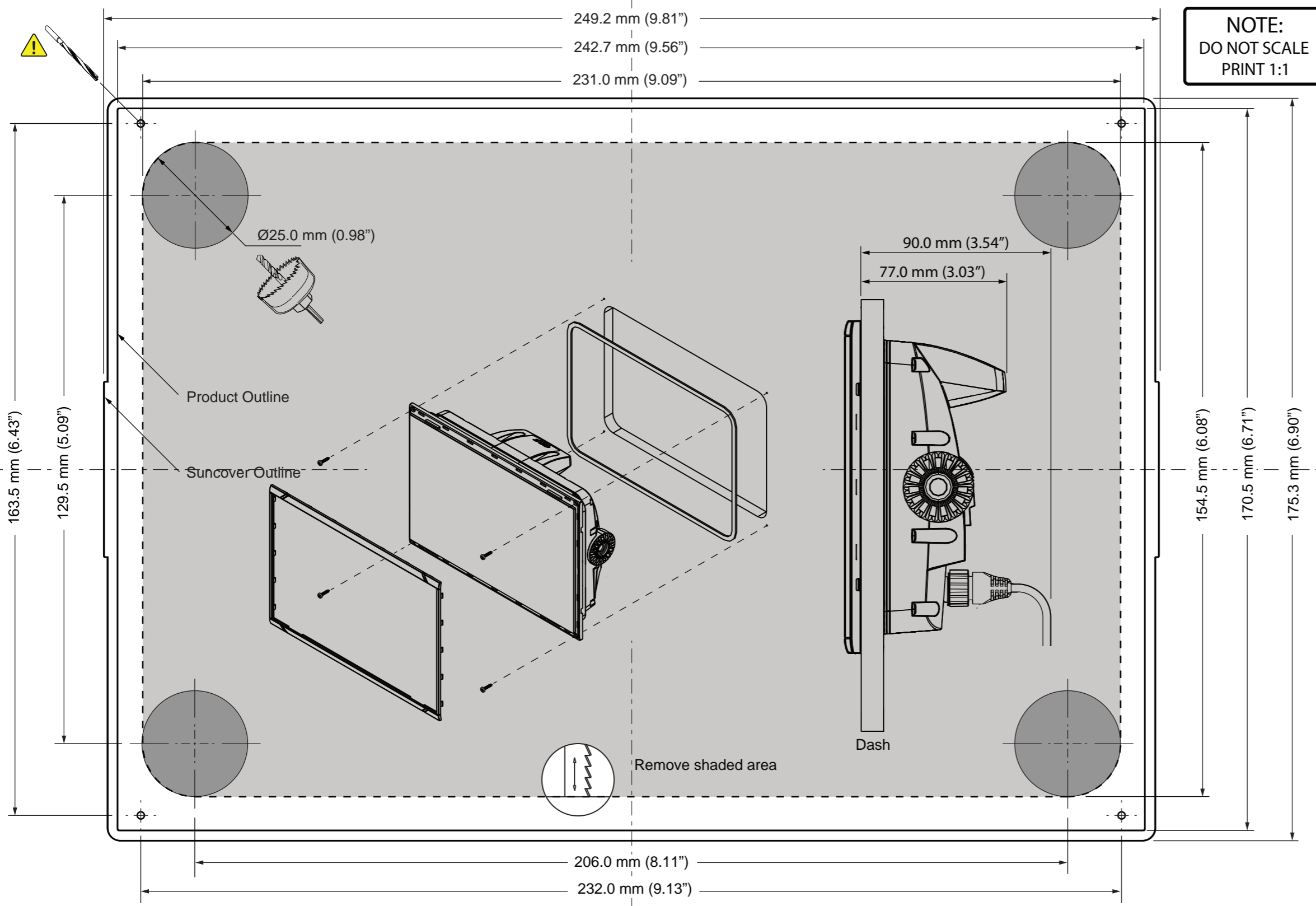
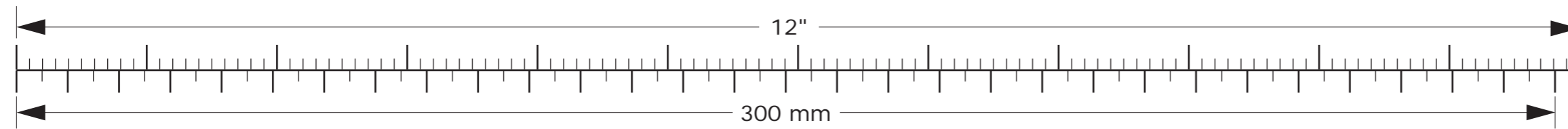


Check dimensions before cutting

GO9 / VULCAN9  
Mounting Template



**NOTE:**  
DO NOT SCALE  
PRINT 1:1

**IMPORTANT.** Do not use this template if it has been rescaled by copying or printing. If this is not the original, or is a print from a file, please check the dimension lines below are to scale before use.

**Recommended pilot holes**

Material	#4	#6
Soft materials e.g. Plywood	1.9-2.2	2.3-2.6
Hard material e.g. GRP, acrylic, hardwoods	2.3-2.6	2.7-3.1

