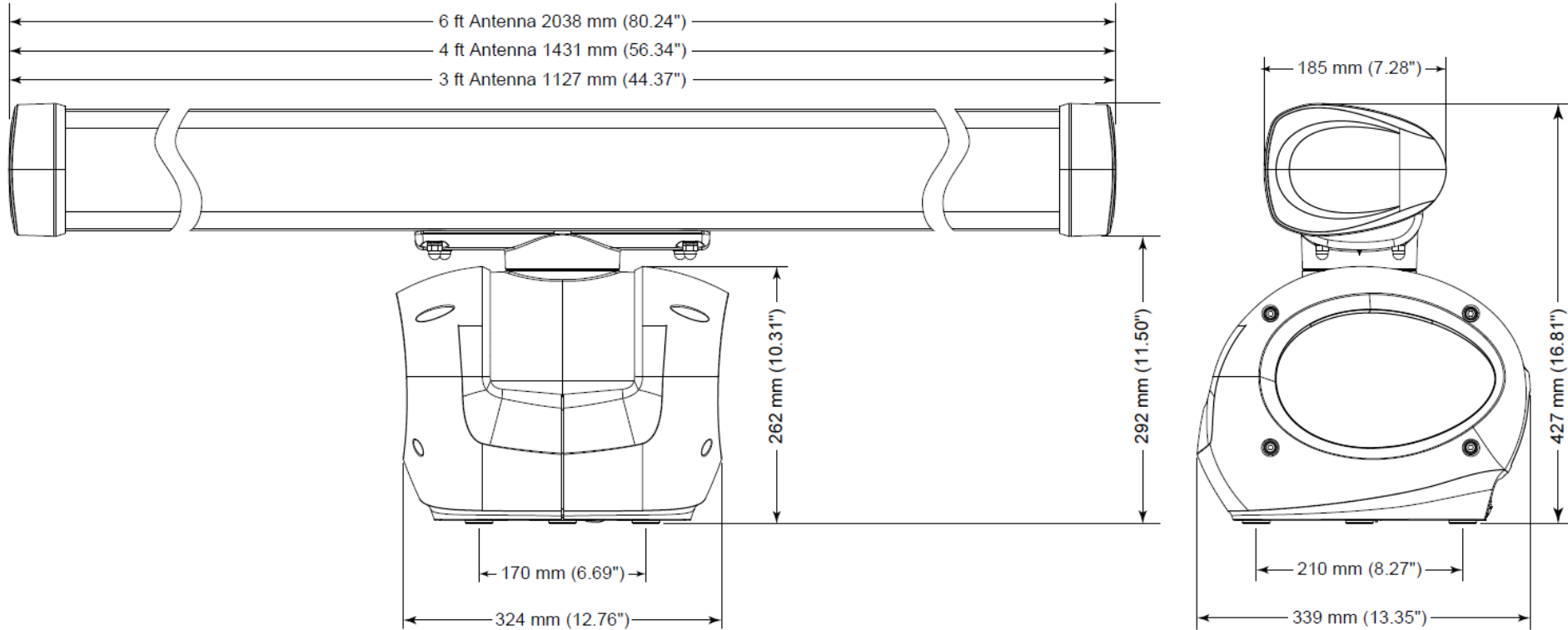




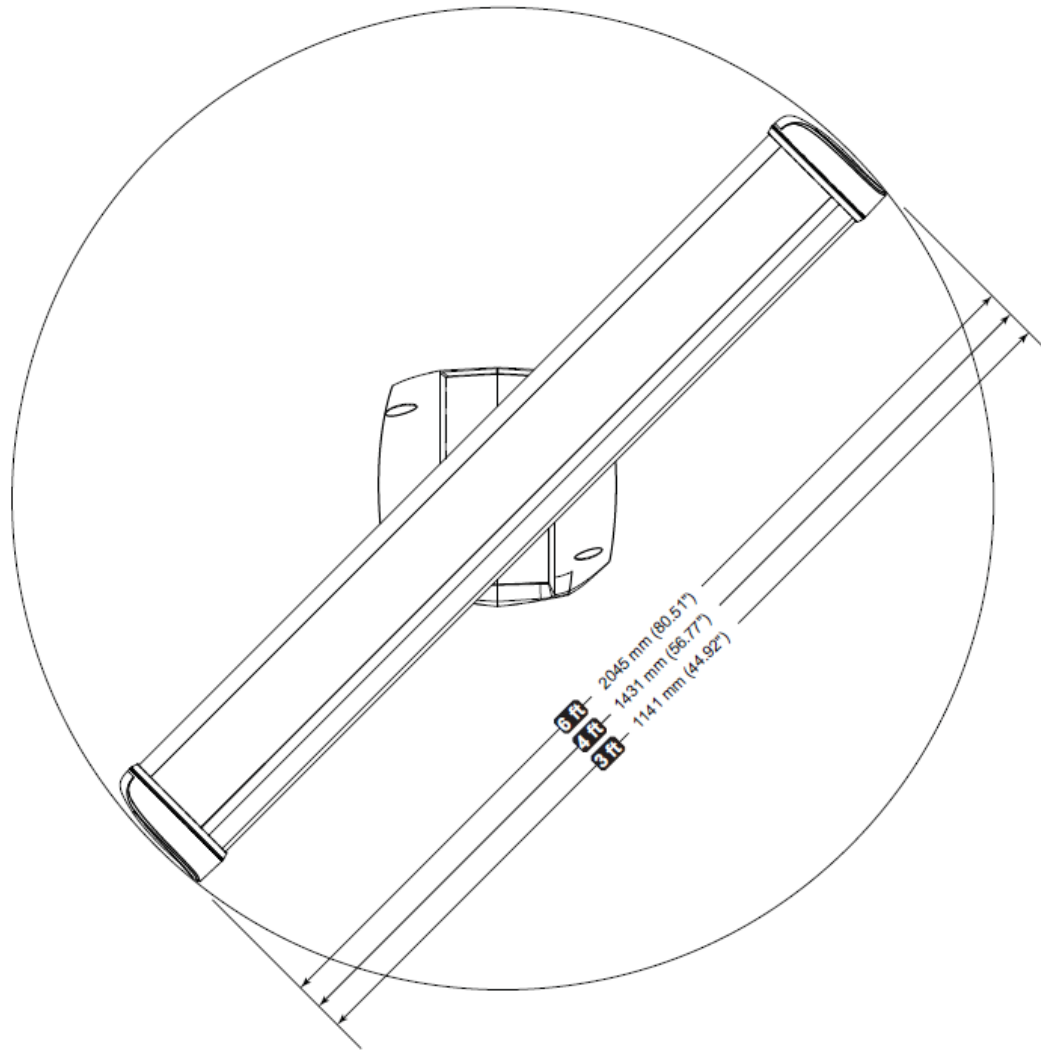
Halo™ - Dimensional Drawings - all models



Halo™ - Dimensional Drawings

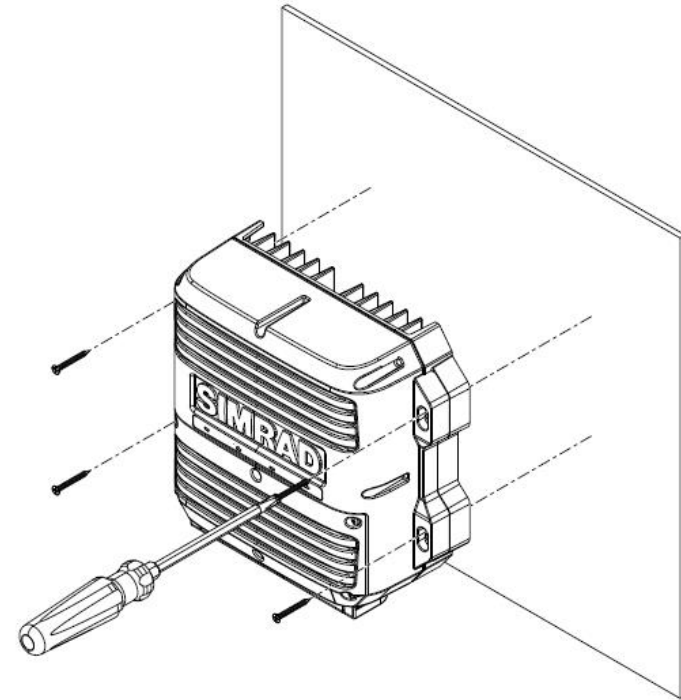
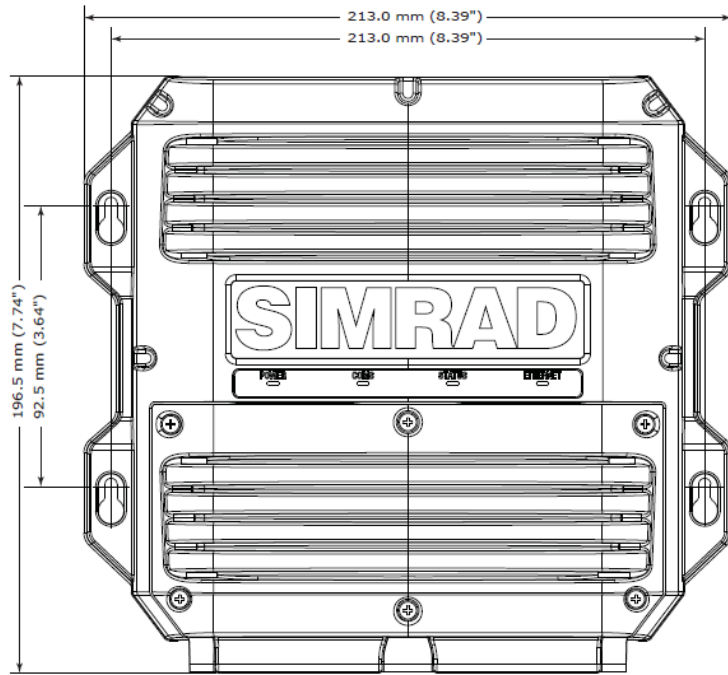


Antenna rotation – maximum rotation

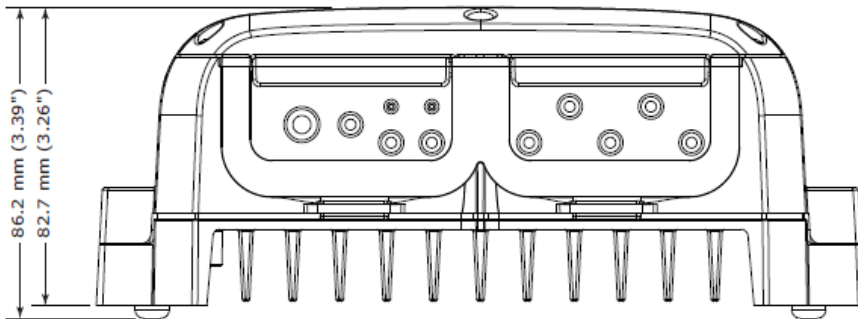




Halo™ - Dimensional Drawing RI-12



→ **Note:** Where possible, mount the processor in a way that the LEDs indicators may be viewed if required for diagnostic purposes.

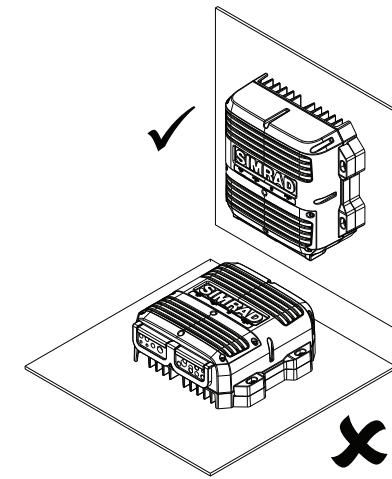
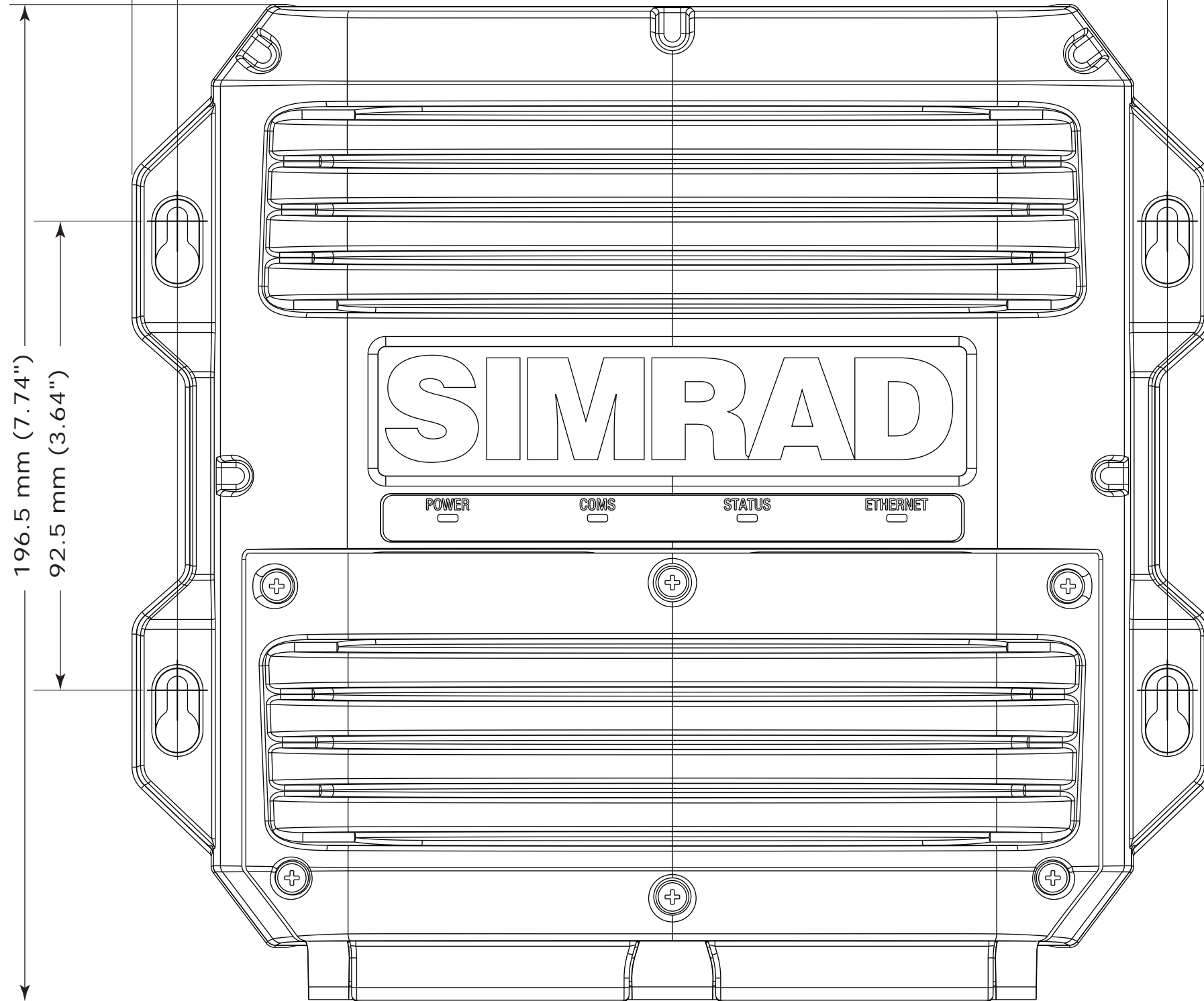


► **Note:**

- It is best to mount the RI-12 vertically

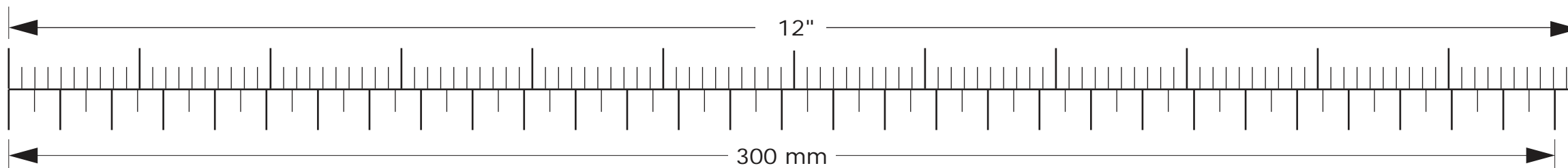
213.0 mm (8.39")

195.0 mm (7.68")



RI-12
Interface module

IMPORTANT. Do not use this template if it has been rescaled by copying or printing. If this is not the original, or is a print from a file, please check the dimension lines below are to scale before use.



Pilot hole drill bit guide for supplied #6 screw

Soft materials e.g. Plywood	2.3 - 2.8 mm (3/32")
Hard materials e.g. GRP, Acrylic, hardwoods	2.9 mm (7/64)

SIMRAD

HALO™ Pulse Compression Radar

IMPORTANT: Do not use this template if it has been rescaled by copying or printing. If this is not the original, or is a print from a file, please check the dimension lines below are to scale before use.

