



M1 Push-to-Close Latch

38mm (1.5") · Stainless steel

- Single, round-hole installation
- Locking style restricts access
- Premium finish and corrosion resistance
- Privacy lock on locking version

Material and Finish

Latch: 316 grade stainless steel, bright polished
 Spacer: Nylon, black
 Contact Southco for other finishes

Performance Details

Maximum static load:
 545 N (122 lbf)

Accessories

One key supplied per latch for additional keys order
 M7-88-9121324-S



Spacer: M1-510-96-1
 (Sold separately)

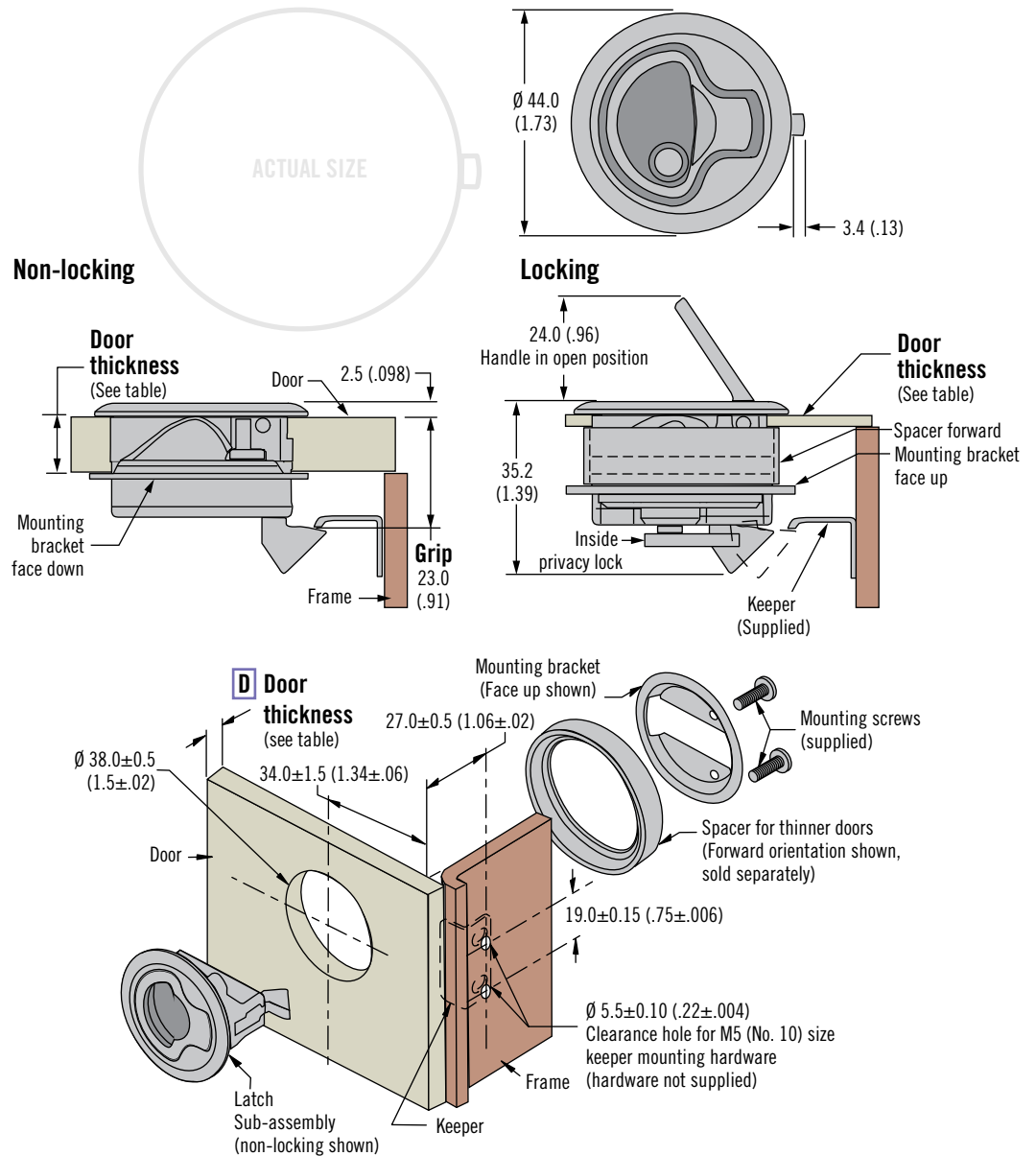


Keeper: M1-510-19-8

Mounting screws: M1-510-96-4

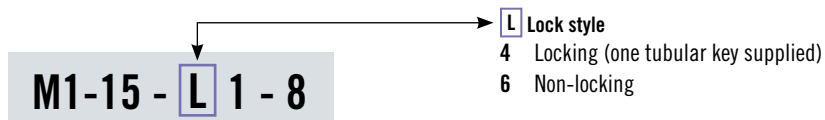
Installation Notes

Use the reference table to determine if a spacer is required for the door thickness and the correct mounting bracket orientation. The spacer shown is in the forward position.



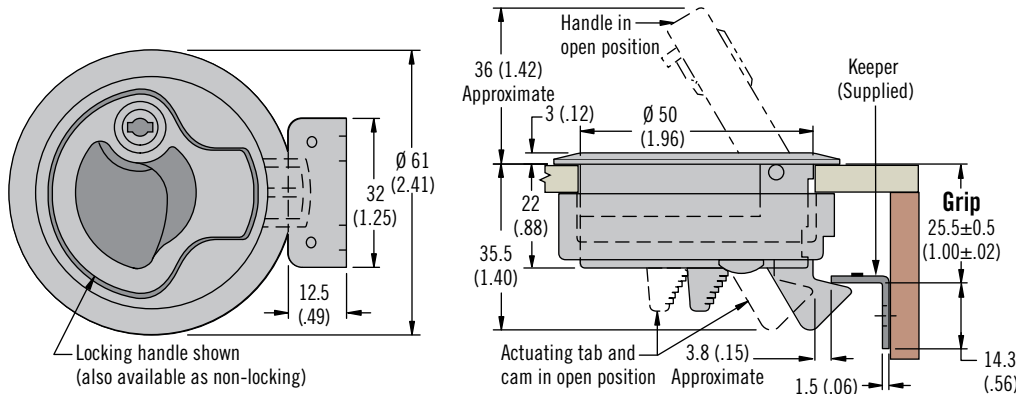
Door Thickness	Spacer Orientation	Mounting Bracket Orientation
1.0 - 7.0 (.04 - .28)	Forward	Face Up
7.0 - 13.0 (.28 - .51)	(not required)	Face Up
13.0 - 19.0 (.51 - .75)	(not required)	Face Down

Part Number Selection



M1 Push-to-Close Latch

50mm (2") · Stainless steel · Plastic



- Single, round-hole installation
- Corrosion-resistant materials
- Inside actuation when locked or unlocked

Material and Finish

Stainless steel 316 grade, electropolished or PC/PBT blend, black, white or beige

Performance Details

Maximum working load:
 Stainless Steel: 835 N (187 lbf)
 PC/PBT blend 270 N (60 lbf)

Operating temperature range:
 -18 °C (0 °F) to 60 °C (140 °F)

Flammability rating:
 UL94-HB (plastic version)

Installation Notes

Maximum tightening torque on mounting screws: 1.7 N·m (15 in·lbf)

Accessories

Keeper
 Part number: M1-519-4

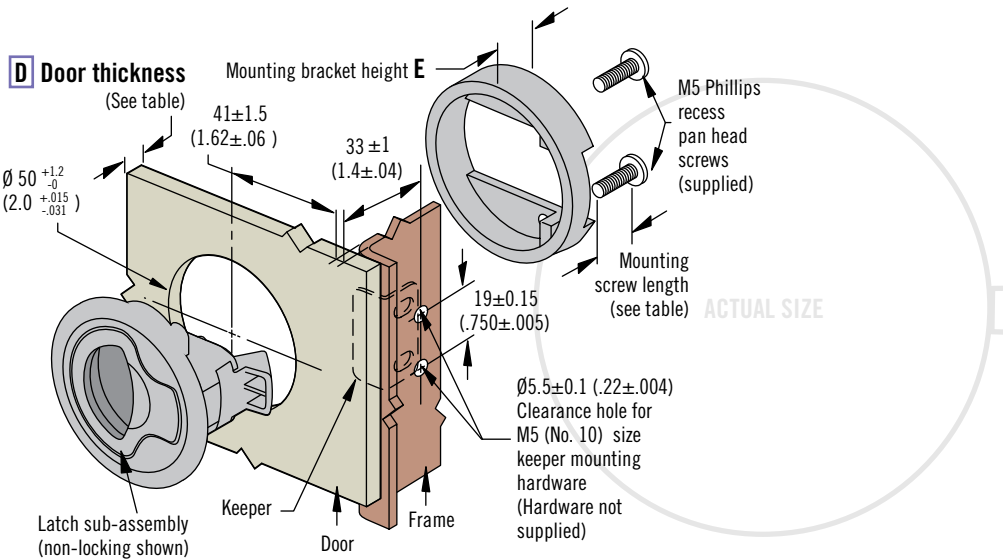
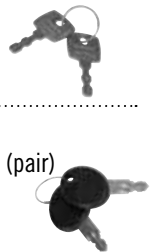
For lock style 4
 Key (pair)

Part number: M1-546

For lock style 7

Overmolded key S008 (pair)

Part number:
 M1-525-39-S008



D Door Thickness		Mounting Bracket Height E	Mounting Screw Length	Replacement Screw Part Number
Minimum	Maximum			
2 (.075)	7 (.275)	14 (.55)	16 (.63)	M1-0-27358-01
7 (.275)	12 (.475)	14 (.55)	20 (.81)	M1-0-27358-02
12 (.475)	17 (.675)	3.8 (.15)	16 (.63)	M1-0-27358-01
17 (.675)	22 (.875)	3.8 (.15)	20 (.81)	M1-0-27358-02

D Door thickness

- 2 - 7 (.075 - .275)
- 7 - 12 (.275 - .475)
- 12 - 17 (.475 - .675)
- 17 - 22 (.675 - .875)

F Finish

- 1 White Thermoplastic
- 7 Beige Thermoplastic
- 8 Stainless steel (omit for black)

L Lock style

- 4 Locking (2 keys supplied)
- 6 Non-locking
- 7 Key-locking keyed alike S008 (2 overmolded keys supplied) (Only available for stainless steel version)

M1 - L D - F

Part Number Selection

See page 102 for complimentary styled compression version



M1 Push-to-Close Latch

64mm (2.5") size · Stainless steel

- Single, round-hole installation
- Corrosion-resistant materials
- Inside actuation when locked or unlocked

Material and Finish

Stainless steel 316 grade, electropolished

Performance Details

Maximum working load:
835 N (187 lbf)

Operating temperature range:
-18°C (0°F) to 60°C (140°F)

Installation Notes

Maximum tightening torque on mounting screws: 1.7 N·m (15 in·lbf)

Accessories

Keeper

Part number: M1-525-19-4

For lock style 4

Key (pair)

Part number: M1-546

For lock style 7

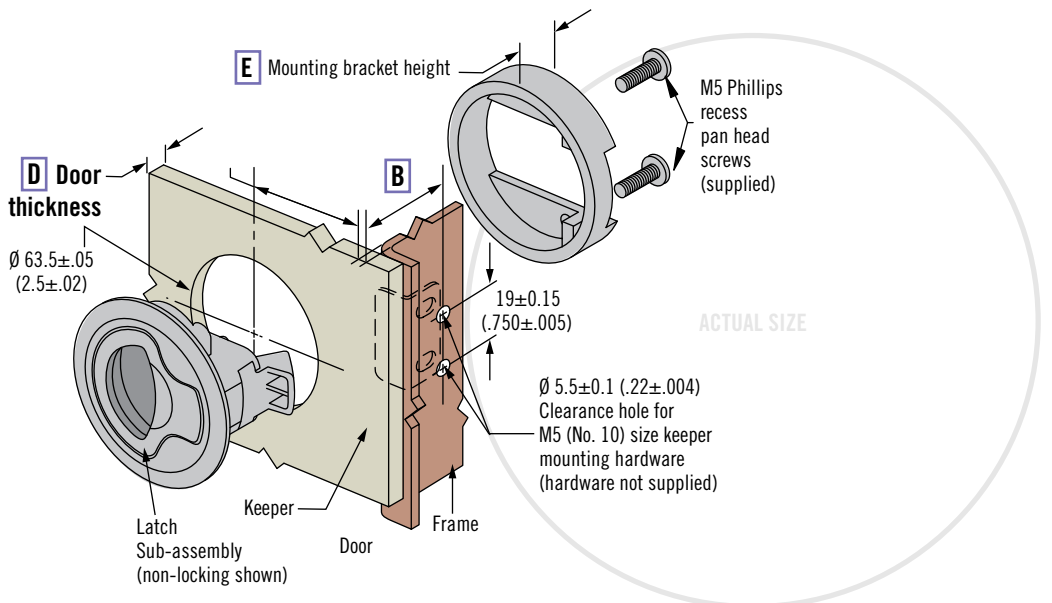
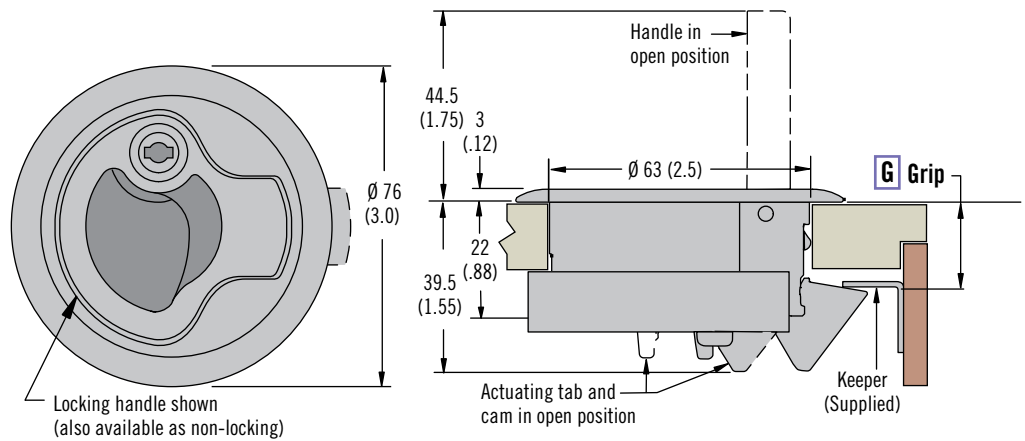
Overmolded key S008 (pair)

Part number: M1-525-39-S008



Replacement mounting screw

Part number: M1-0-27358-02



G Grip	E Mounting Bracket Height	D Door Thickness		B
		Minimum	Maximum	
20±0.5 (.75±.02)	22 (.875)	2 (.075)	12 (.475)	27 (1.10)
32±0.5 (1.25±.02)	22 (.875)	2 (.075)	12 (.475)	39 (1.54)
20±0.5 (.75±.02)	12 (.475)	12 (.475)	22 (.875)	27 (1.10)
32±0.5 (1.25±.02)	12 (.475)	12 (.475)	22 (.875)	39 (1.54)

Part Number Selection

See page 103 for complimentary styled compression version

- D** Door thickness
- 1 2 - 12 (.075 - .475)
 - 2 12 - 22 (.475 - .875)

- G** Grip
- 1 20±0.5 (.75±.02)
 - 2 32±0.5 (1.25±.02)

M1 - 25 - L D - G 8

- L** Lock style
- 4 Locking keyed alike (2 keys supplied)
 - 6 Non-locking
 - 7 Key-locking keyed alike S008 (2 overmolded keys supplied)

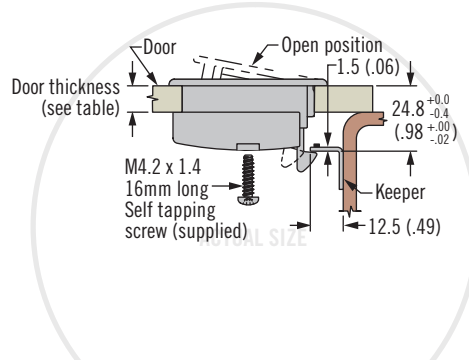
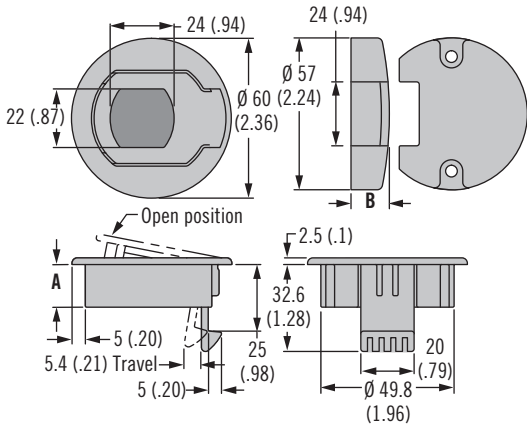
Dimensions in millimeters (inch) unless otherwise stated

M1 Push-to-Close Latch

Lift-to-open · Flush



Mounting Cup



Door Thickness Range	A	B	Part Number
1 - 7 (.04 - .28)	16 (.63)	20.4 (.80)	M1-81
7 - 13 (.28 - .51)	16 (.63)	14.3 (.57)	M1-82
13 - 19 (.51 - .75)	22 (.87)	14.3 (.57)	M1-83

- Low profile
- Non-corrosive and non-conductive

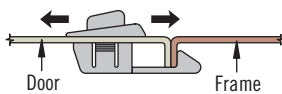
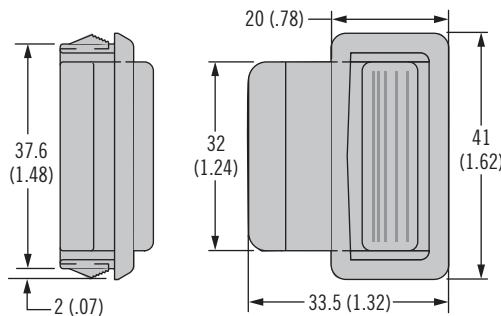
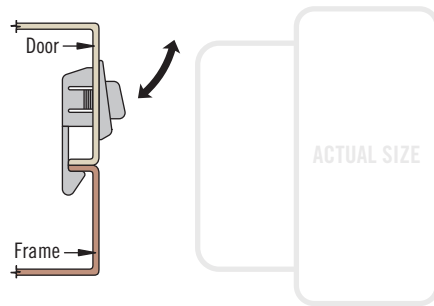
Material and Finish

Latch: Acetal, black

Mounting hardware: Stainless steel

80 Push-to-Close Latch

Push-to-open · Snap-in

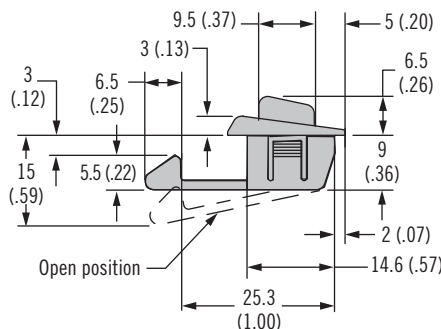


Color	Part Number
White	80-201
Black	80-202

- Snap-in installation
- Non-corrosive and non-conductive
- Suitable for sliding or hinged doors

Material and Finish

Acetal, black or white



Dimensions in millimeters (inch) unless otherwise stated

Looking for dependable boat cabin and galley? Rely on Southco for quality and long-lasting products.