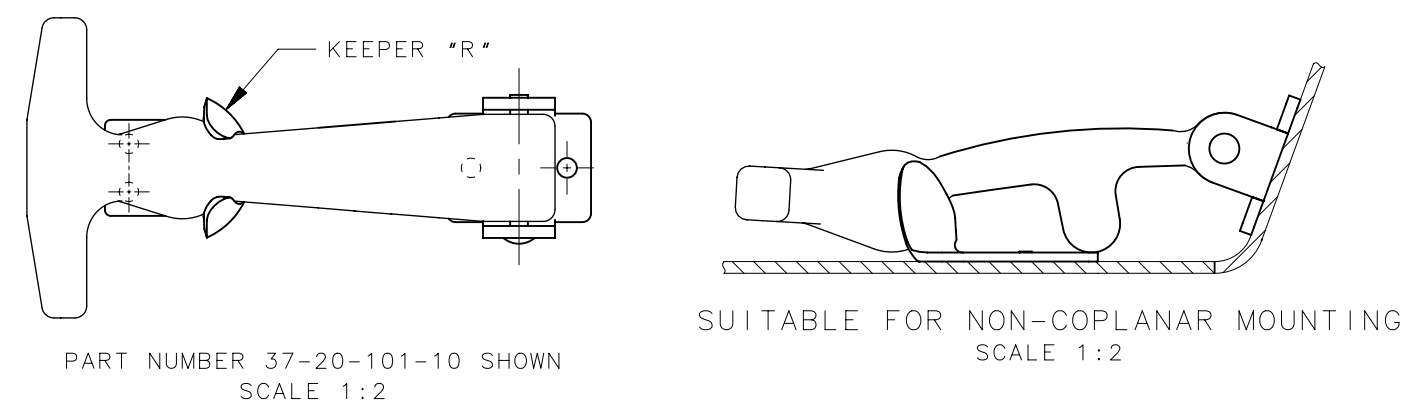
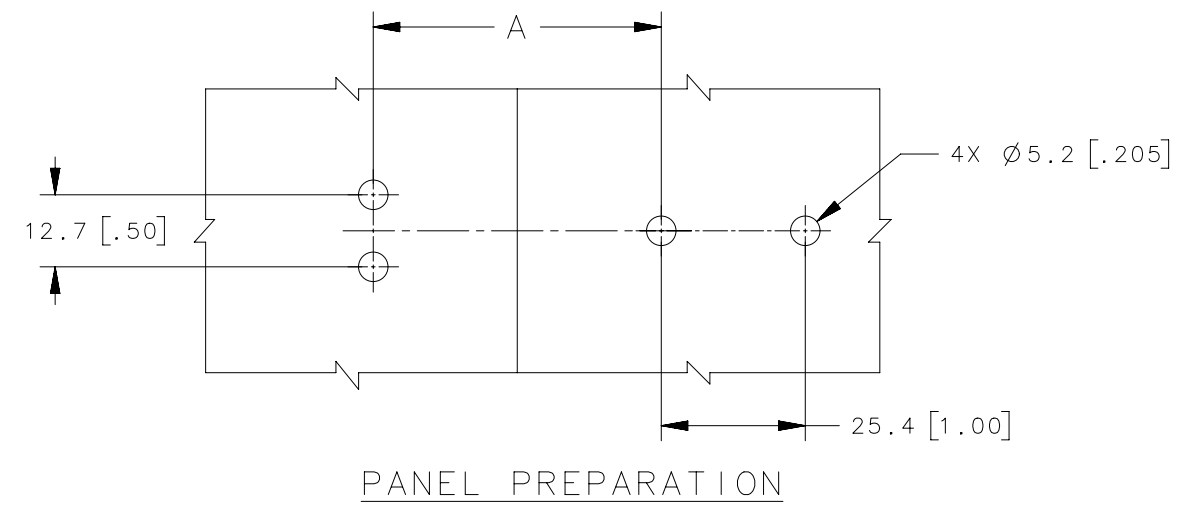
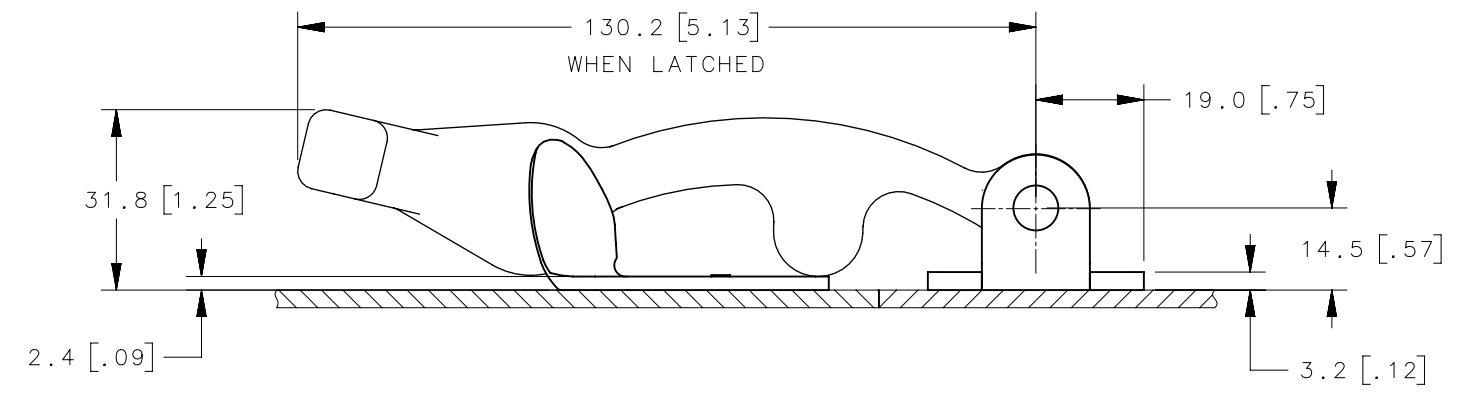
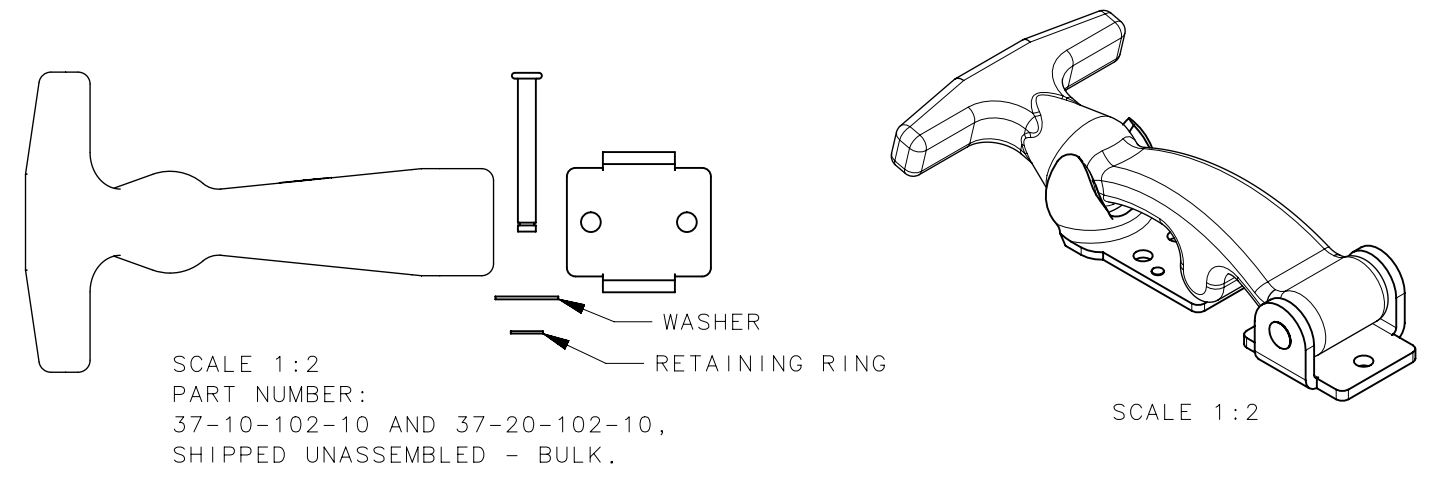
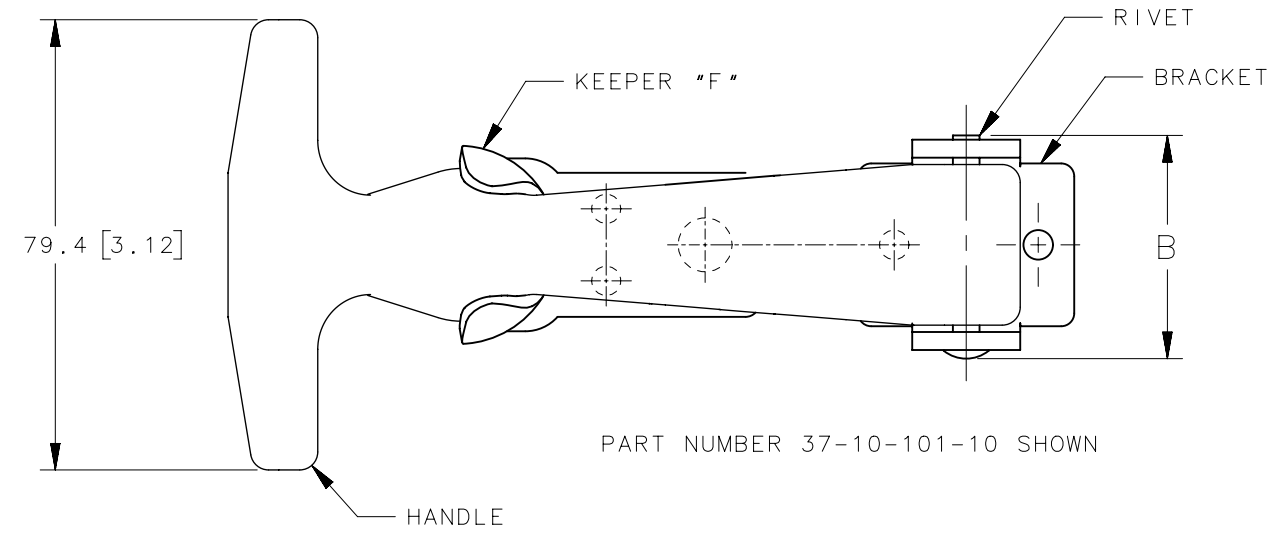


REVISION HISTORY			
REV	DATE	BY	DESCRIPTION
C	01DEC2020	SSG/VK	PRN: P2020-2210



37-10-101-10-P	LATCH ASSEMBLY, SEE NOTE 4	-	-	-	-	-	50.8[2.00]	39.3[1.55]	
37-20-102-10	LATCH SHIPPED UNASSEMBLED	EPDM RUBBER, BLACK	SEE NOTE 2	SEE NOTE 2	SEE NOTE 2	R	90.5[3.56]	42.1[1.66]	
37-10-102-10	LATCH SHIPPED UNASSEMBLED	EPDM RUBBER, BLACK	SEE NOTE 2	SEE NOTE 2	SEE NOTE 2	F	50.8[2.00]	42.1[1.66]	
37-25-101-24	KEEPER	-	-	-	SEE NOTE 3	R	-	-	
37-11-101-20	HANDLE SUB-ASSEMBLY	EPDM RUBBER, BLACK	SEE NOTE 3	SEE NOTE 3	-	-	-	-	
37-20-101-20	LATCH, ASSEMBLED	-	-	-	-	-	90.5[3.56]	39.3[1.55]	
37-15-101-24	KEEPER	-	-	-	SEE NOTE 3	F	-	-	
37-11-101-20	HANDLE SUB-ASSEMBLY	EPDM RUBBER, BLACK	SEE NOTE 3	SEE NOTE 3	-	-	-	-	
37-10-101-20	LATCH, ASSEMBLED	-	-	-	-	-	50.8[2.00]	39.3[1.55]	
37-25-101-17	KEEPER	-	-	-	SEE NOTE 2	R	-	-	
37-11-101-10	HANDLE SUB-ASSEMBLY	EPDM RUBBER, BLACK	SEE NOTE 2	ALUMINUM, NATURAL	-	-	-	-	
37-20-101-10	LATCH, ASSEMBLED	-	-	-	-	-	90.5[3.56]	39.3[1.55]	
37-15-101-17	KEEPER	-	-	-	SEE NOTE 2	F	-	-	
37-11-101-10	HANDLE SUB-ASSEMBLY	EPDM RUBBER, BLACK	SEE NOTE 2	ALUMINUM, NATURAL	-	-	-	-	
37-10-101-10	LATCH, ASSEMBLED	-	-	-	-	-	50.8[2.00]	39.3[1.55]	
PART NUMBER	TYPE OF COMPONENT	HANDLE	BRACKET	RIVET/STUD	KEEPER	KEEPER TYPE	A	B	
		MATERIAL, FINISH							

- NOTES:
1. LATCH AND KEEPER SHIPPED SEPARATELY, BULK.
  2. STEEL, ZINC PLATE, BRIGHT CHROMATE PLUS SEALER.
  3. STAINLESS STEEL, PASSIVATED.
  4. 37-10-101-10-P IS PACKAGED ONE LATCH AND ONE KEEPER PER BAG.

THIRD ANGLE PROJECTION				
MILLIMETERS [IN]		DESCRIPTION		
TOLERANCES UNLESS OTHERWISE NOTED		37 FLEXIBLE DRAW LATCH		
ALL DIMENSIONS WITHOUT TOLERANCES ARE FOR REFERENCE ONLY.		100 SERIES, T-HANDLE		
SURFACE AREA	SIZE A3	SYSTEM NX	DWG NO. J-37-100	
VOLUME	PER ASME Y14.5M-1994		DATE 24NOV2015	
PROPRIETARY ITEM	DRAWN BY DMS/YGC		SCALE 0.75:1	
EXCEPT FOR USES EXPRESSLY GRANTED IN WRITING, INFORMATION DISCLOSED HEREON IS CONFIDENTIAL AND ALL RIGHTS, PATENT AND OTHERWISE, ARE RESERVED BY SOUTHCO, INC.	DATE 24NOV2015		SHEET 1 OF 1	