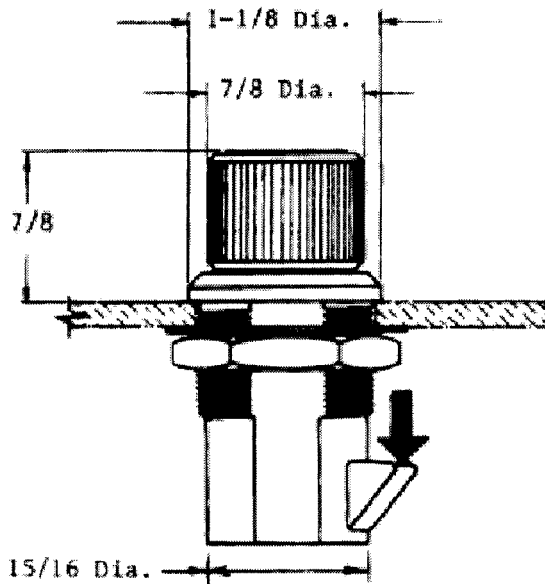


General Performance Guidelines

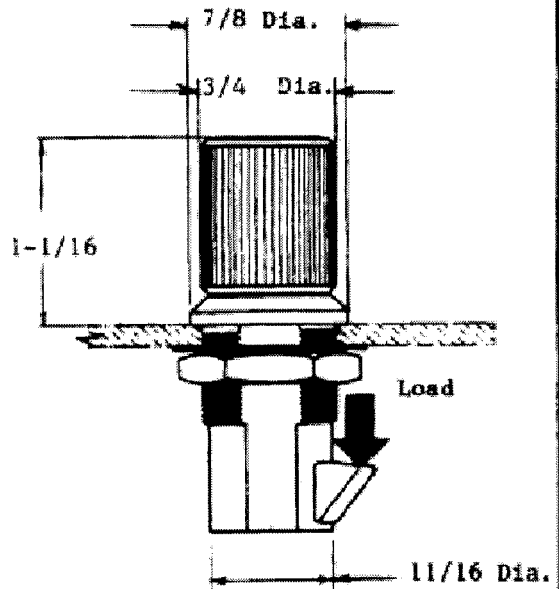
The information shown on this page was determined under one set of test conditions and is supplied as a general guide only, for failure of the product or for sufficient deformation to make the product inoperable. No safety factor has been applied. It is recommended that the user test the product for his particular application.



100 Series

93-10-10X-10

Working Strength : 125 Lbs
Average Ultimate Tensile : 220 Lbs



200 Series

93-10-20X-10

Working Strength : 75 Lbs.
Average Ultimate Tensile : 200 Lbs.

#93 Slam Action Latch

southco

(RE: 93-2 & 93-4)

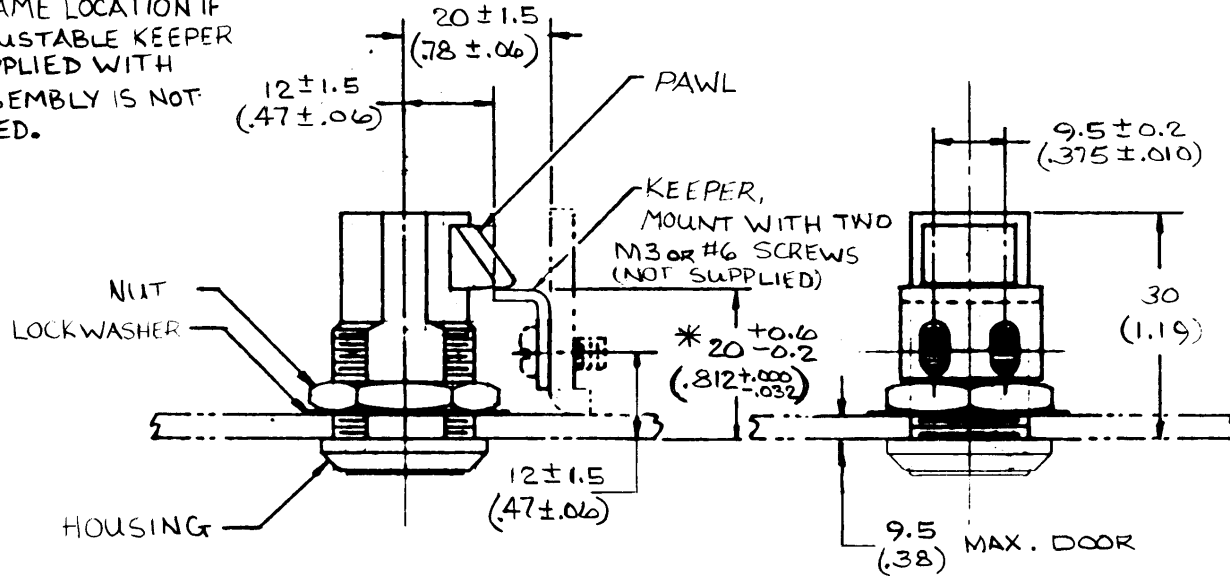
REV. A 2-24-84 DEH
REV. B 3-21-85 CCL, Added Avg. Ultimate Tensile
REV. C 4/10/2002 XJS Updated Logo

PROPRIETARY ITEM. EXCEPT FOR THIS EXPRESSLY GRANTED PERMISSION, INFORMATION DISCLOSED HEREON IS CONFIDENTIAL AND ALL RIGHTS, PATENT AND OTHERWISE ARE RESERVED BY SOUTHCO, INC.

DRAWING NUMBER
TD-93-1-J

REV. LET.	DATE	BY-CHKD	REVISIONS	ASS'Y PART NO
A	6-10-93	JGK	PRN: 93-137	93-10-201-50
B	21NOV2017	RKS VK	PRN: P2017-2858	

* FRAME LOCATION IF ADJUSTABLE KEEPER SUPPLIED WITH ASSEMBLY IS NOT USED.



ASSEMBLY PART NO 93-10-201-10 CONSISTS OF ONE LATCH SUB-ASSY, TWO KEYS, ONE NUT, ONE LOCKWASHER, AND ONE KEEPER, PACKED IN A PLASTIC BAG.

HOUSING AND LOCK ARE DIE CAST ZINC, BLACK POLYESTER POWDER COATED.

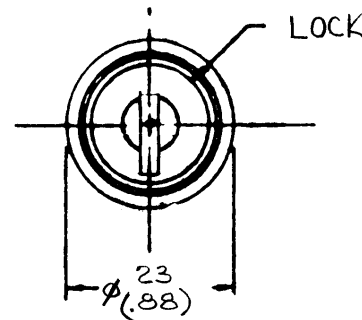
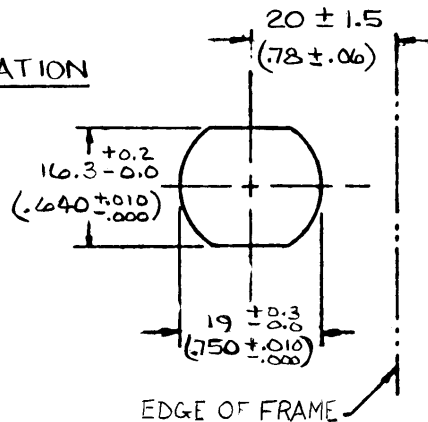
PAWL IS BLACK THERMOPLASTIC
 KEEPER - STEEL, DACROTIZED™
 LOCKWASHER: STEEL, DACROTIZED™
 LOCKWASHER: STEEL, WITH ZINC IMMERSION COATING

KEY TURNS ONE QUARTER TURN IN EITHER DIRECTION TO UNLATCH. KEY IS REMOVABLE IN ENTER (LATCHED) POSITION ONLY.

MAY BE SLAM CLOSED WHEN LOCKED.

MAX. RECOMMENDED NUT TIGHTENING TORQUE 7.9 N.m (70 in.lbf)

DOOR PREPARATION



MILLIMETER/INCH

MILLIMETER/INCH