



# 93 Push-to-Close Latch

Push button to open

- Push button opening
- Single hole installation
- Optional ejector spring helps prevent rattles

## Material and Finish

Latch: ABS, black  
Spring: Stainless steel

## Performance Details

Maximum working load:  
530 N (120 lbf)

Flammability rating: UL94-HB

## Installation Notes

Maximum tightening torque on mounting nut: 7.9 N·m (70 in·lbf)

## Accessories

Flat key, keyed alike CH751  
(2 keys per ring)  
Part number: PK-10-01



Overmolded key, keyed alike CH751  
(2 keys per ring)

Part number: PK-10-01-05



Pull tab (optional) part number:

In-line 93-21-301-14

Perpendicular 93-21-322-14

Keeper (replacement) part number:

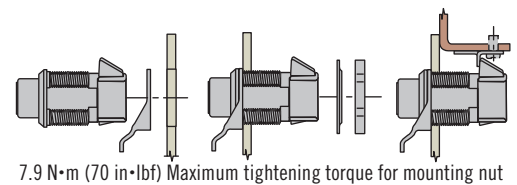
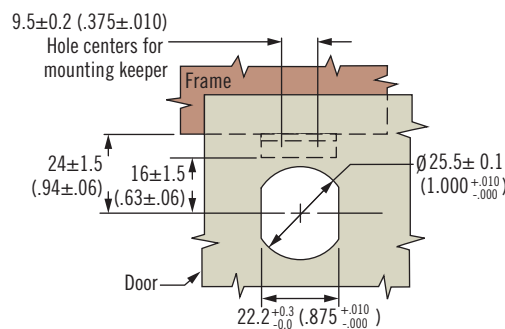
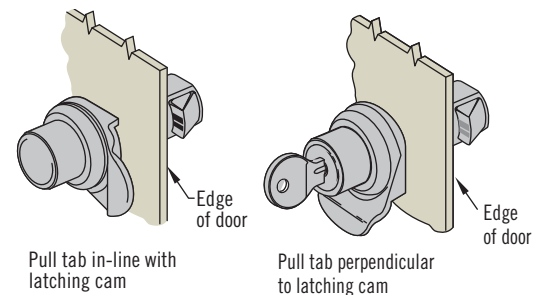
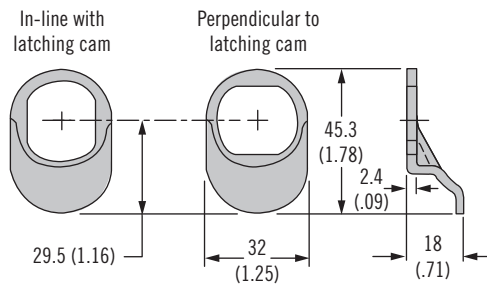
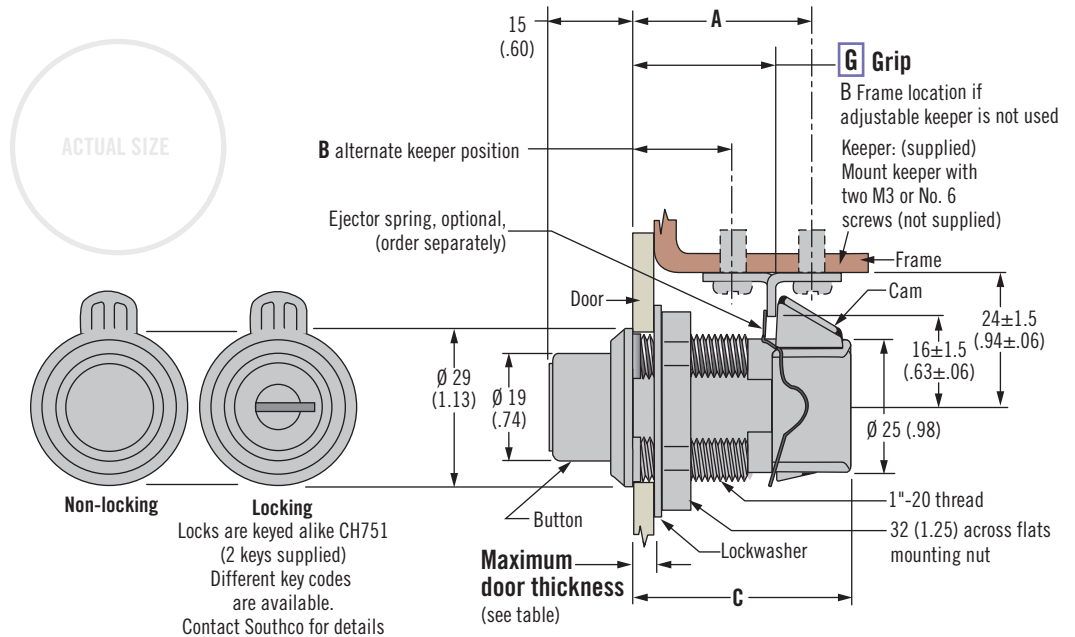
93-14-101-24

Ejector spring (optional)

part number: 93-22-302-18

## Part Number

See table



Style	Maximum Door Thickness	G Grip	Dimensions			Latch Part Number	
			A	B	C Ref	Key-Locking (2 Flat Keys Supplied)	Non-Locking
Pull tab in-line with latching Cam	10.3 (.407)	23 <sup>+0.1</sup> <sub>-0.07</sub> (.907 <sup>+0.0</sup> <sub>-.032</sub> )	29.5±1.5 (1.16±.06)	14.5±1.5 (.57±.06)	37 (1.47)	93-303	93-304
Pull tab perpendicular to latching Cam	10.3 (.407)	23 <sup>+0.1</sup> <sub>-0.07</sub> (.907 <sup>+0.0</sup> <sub>-.032</sub> )	29.5±1.5 (1.16±.06)	14.5±1.5 (.57±.06)	37 (1.47)	93-313	93-314
Latch only	12.7 (.500)	25±0.4 (1.000 <sup>+0.0</sup> <sub>-.032</sub> )	32±1.5 (1.25±.06)	17±1.5 (.66±.06)	40 (1.57)	93-307	93-308

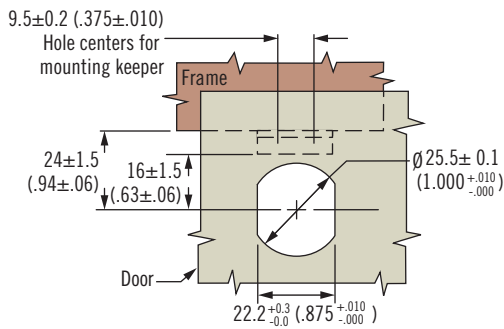
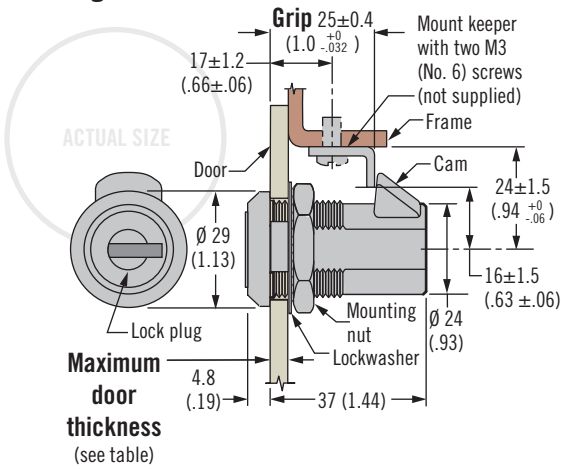
Dimensions in millimeters (inch) unless otherwise stated

# 93 Push-to-Close Latch

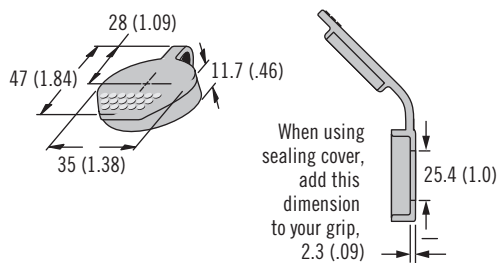
## Key actuated



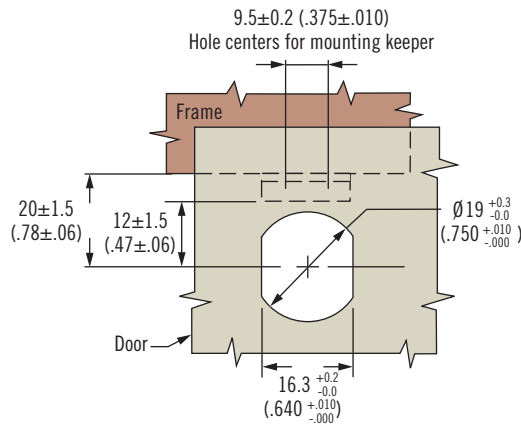
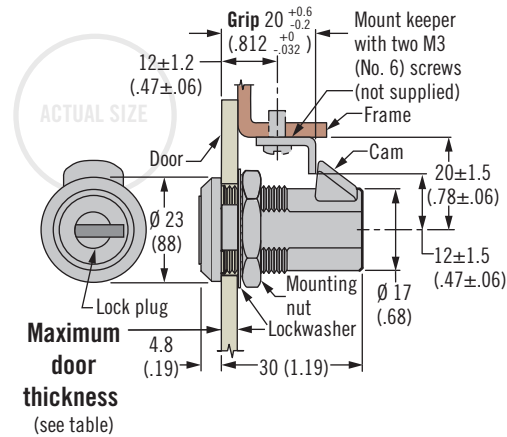
### Large



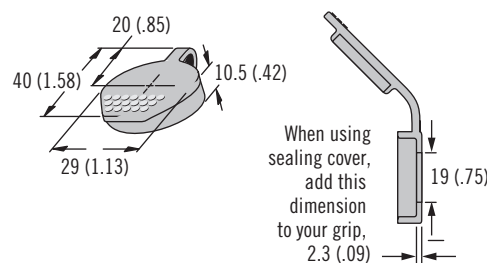
### Sealing Cover (optional)



### Small



### Sealing Cover (optional)



- Key only operation for access restriction
- Single hole installation

### Material and Finish

Latch: Zinc alloy, zinc plated or black powder coated

### Performance Details

Maximum working load:

Large: 560 N (125 lbf)

Small: 330 N (75 lbf)

Operating temperature range:

-18°C (0°F) to 65°C (150°F)

Flammability rating: UL94-HB

### Installation Notes

Maximum tightening torque on mounting nut: 7.9 N·m (70 in-lbf)

### Accessories

Flat key, keyed alike CH751  
(2 keys per ring)

Part number: PK-10-01



Overmolded key, keyed alike CH751

(2 keys per ring)

Part number: PK-10-01-05



Pull tab (optional - large size only):

Part number:

In-line: 93-21-301-14

Perpendicular: 93-21-322-14

Keeper (replacement)

Part number: 93-14-101-11

### Part Number

See table

Size	Maximum Door Thickness	Latch Part Number		Lock Core Finish	Sealing Cover (Optional) Part Number
		Locking Keyed Alike CH751 (2 Flat Keys Supplied)			
Large	12.7 (.500)	93-10-101-10	Bright	90-4	
		93-10-201-50	Black		
Small	9.5 (.375)	93-10-201-10	Bright	90-2	

Dimensions in millimeters (inches)



# 93 Push-to-Close Latch

Turn-to-open · Knob style

- Turn-to-open
- Single hole installation

## Material and Finish

Latch: Zinc alloy, chrome plated  
Knob: Polycarbonate, black

## Performance Details

Maximum working load:

Large: 560 N (125 lbf)

Small: 330 N (75 lbf)

Operating temperature range:

-18°C (0°F) to 65°C (150°F)

Flammability rating: UL94-HB

## Installation Notes

Maximum tightening torque on mounting nut: 7.9 N·m (70 in·lbf)

## Accessories

Flat key, keyed alike CH751  
(2 keys per ring)

Part number: PK-10-01



Overmolded key, keyed alike CH751  
(2 keys per ring)

Part number: PK-10-01-05



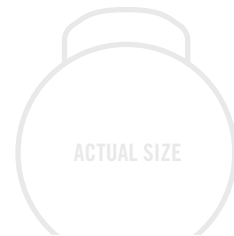
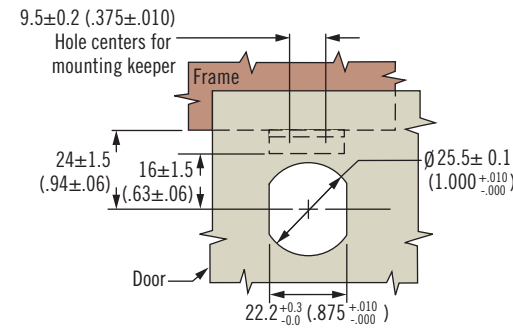
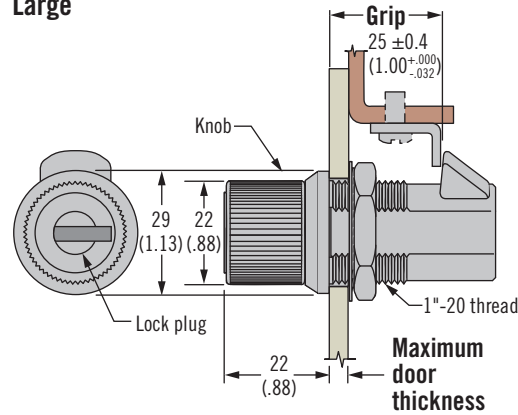
Keeper (replacement)

Part number: 93-14-101-11

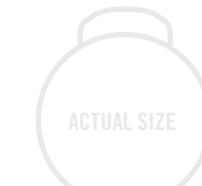
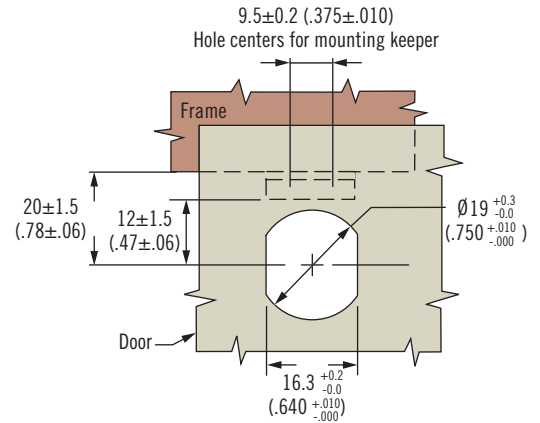
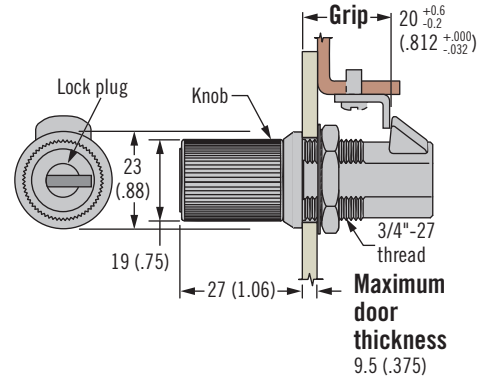
## Part Number

See table

### Large



### Small

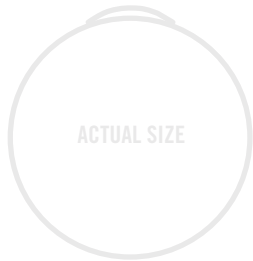
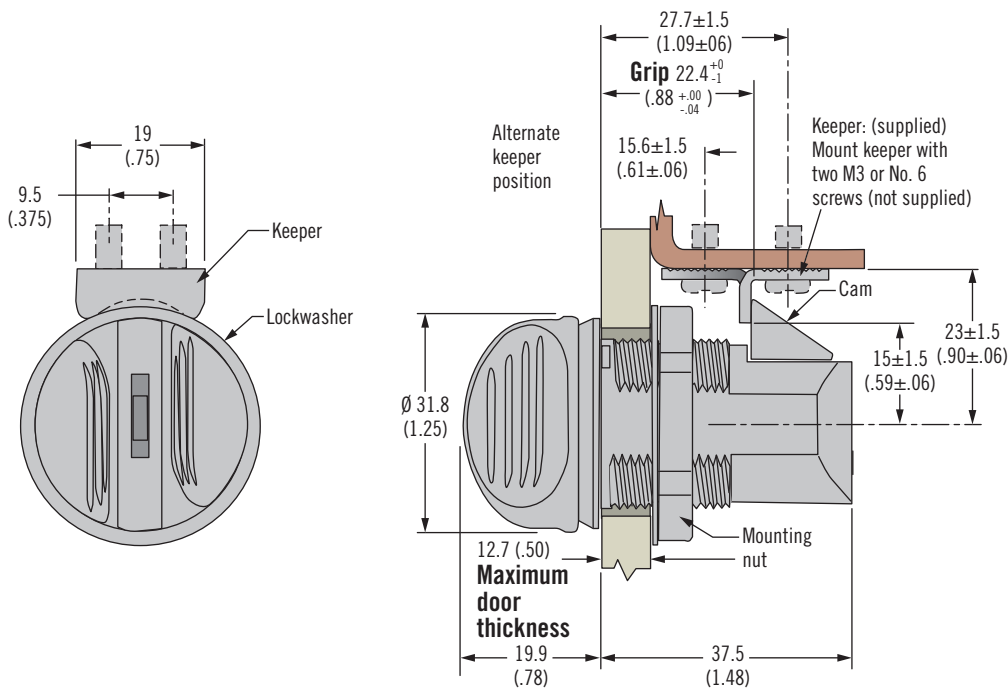


Size	Latch Part Number		Lock Core Finish
	Locking (2 Flat Keys Supplied)	Non-locking	
Large	93-10-102-50	93-10-103-50	Black
	93-10-102-10	93-10-103-10	Bright
Small	93-10-202-50	93-10-203-50	Black
	93-10-202-10	93-10-203-10	Bright

Dimensions in millimeters (inch) unless otherwise stated

# 93 Push-to-Close Latch

## Turn-to-open · Wing style



- Turn-to-open
- Single hole installation

### Material and Finish

Glass-filled nylon and acetal, black

### Performance Details

Maximum working load:  
425 N (100 lbf)

Operating temperature range:  
-20°C (0°F) to 65°C (150°F)

Flammability rating: UL94-HB

### Installation Notes

Maximum tightening torque on mounting nut: 6 N·m (53 in·lbf)

### Accessories

Flat key, keyed alike CH751  
(2 keys per ring)

Part number: PK-10-01



Overmolded key, keyed alike CH751  
(2 keys per ring)

Part number: PK-10-01-05

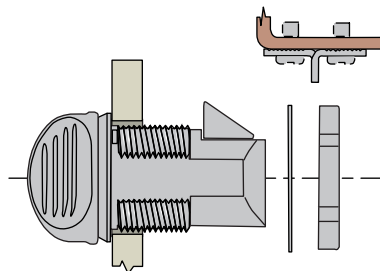
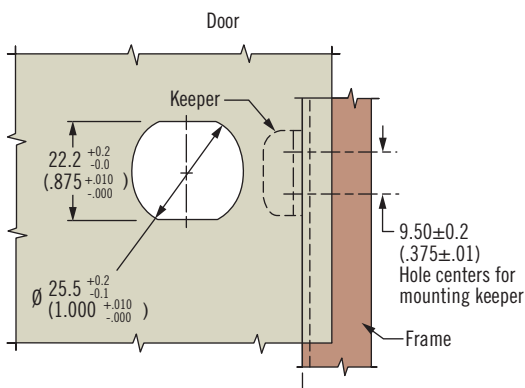


Keeper (replacement):

Part number: 93-14-101-24

### Part Number

See table



Latch Part Number (2 Flat Keys Supplied)
93-402