

DRAWING NUMBER  
TD-97-1-J

THIRD ANGLE PROJECTION

PAPER SIZE  
A

SCALE  
ACZ NTS

CHKD  
ALC

DATE  
06JUL93

No. 97 DRAW LATCH  
30 . 50, 60, AND 70 SERIES

PROPRIETARY ITEM - EXCEPT FOR USES EXPRESSLY GRANTED IN WRITING INFORMATION DISCLOSED HEREON IS CONFIDENTIAL AND ALL RIGHTS PATENT AND OTHERWISE ARE RESERVED BY SOUTHCO, INC.

DESCRIPTION  
UPDATE FORMAT

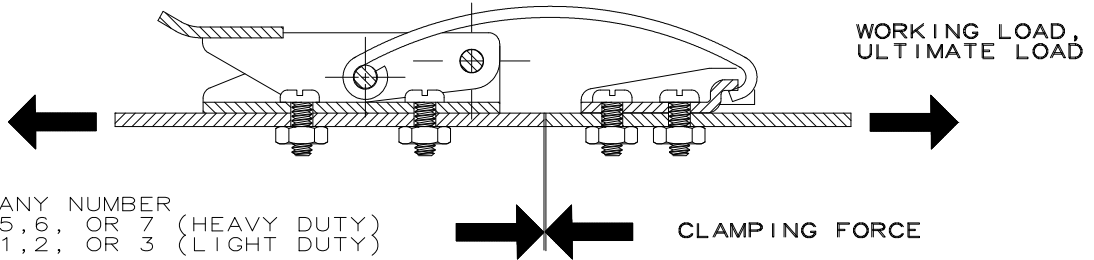
REV  
D

DATE  
09APR2002

DRAWN/CHKD  
GDM

DATE  
09APR2002

SOUTHCO PERFORMANCE GUIDELINES  
THE PERFORMANCE GUIDELINES SHOWN ON THIS PAGE ARE SUPPLIED AS A GENERAL GUIDE ONLY, AS CONDITIONS VARY WITH EACH APPLICATION AND METHOD OF INSTALLATION. STRENGTH DATA GIVEN IS FOR FAILURE OF THE PRODUCT OR FOR SUFFICIENT DEFORMATION TO MAKE PRODUCT INOPERABLE. NO SAFETY FACTOR HAS BEEN APPLIED IT IS RECOMMENDED THAT THE USER REQUEST A PRODUCT SAMPLE FOR TESTING TO DETERMINE THE SUITABILITY OF THE PRODUCT FOR THE PURPOSE INTENDED AND USER'S PARTICULAR APPLICATION.



X = ANY NUMBER  
Y = 5, 6, OR 7 (HEAVY DUTY)  
Z = 1, 2, OR 3 (LIGHT DUTY)

PART NUMBER	CLAMPING FORCE <sup>①</sup>	MAXIMUM RECOMMENDED WORKING LOAD <sup>②</sup>	AVERAGE ULTIMATE LOAD <sup>③</sup>
97-30-16X-11	135 N (30 LBS)	380 N (85 LBS)	(A) 1110 N (250 LBS)
97-30-16X-12			
97-50-XZ <sub>2</sub> <sup>1</sup> -11	310 N (70 LBS)	890 N (200 LBS)	(A) 2400 N (540 LBS)
97-50-XZ3-11			(B) 2225 N (500 LBS)
97-50-XZ <sub>5</sub> <sup>4</sup> -11			(A) 1780 N (400 LBS)
97-50-XZ <sub>2</sub> <sup>1</sup> -12	310 N (70 LBS)	890 N (200 LBS)	(C) 2625 N (590 LBS)
97-50-XZ3-12			(B) 2050 N (460 LBS)
97-50-XZ <sub>5</sub> <sup>4</sup> -12			(C) 2160 N (485 LBS)
97-50-XY <sub>2</sub> <sup>1</sup> -11	670 N (150 LBS)	1270 N (285 LBS)	(A) 3250 N (730 LBS)
97-50-XY3-11			(B) 2000 N (450 LBS)
97-50-XY <sub>5</sub> <sup>4</sup> -11			(A) 2580 N (580 LBS)
97-60-X2 <sub>4</sub> <sup>1</sup> -1X	290 N (65 LBS)	710 N (160 LBS)	(A) 2225 N (500 LBS)
97-60-X23-1X		890 N (200 LBS)	(B) 3110 N (700 LBS)
97-70-X2X-11	600 N (135 LBS)	1560 N (350 LBS)	(A) 3110 N (700 LBS)

A: KEEPER SEVERELY DEFORMED  
B: LOW CARBON STEEL MOUNTING SCREW FAILED  
C: ASSEMBLY UNLATCHED UNDER LOAD

- ① CLAMPING FORCE is the load exerted by the latch against the two panels.
- ② WORKING LOAD is the maximum force that the product will withstand without affecting the operation or appearance of the product.
- ③ Average ULTIMATE LOAD causes failure of the product or sufficient deformation to make the product inoperable.

REF: 97-27



№ 97 DRAW CATCH - MOUNTING SPECIFICATIONS

DATE 10-29-74

DRAWN ACZ

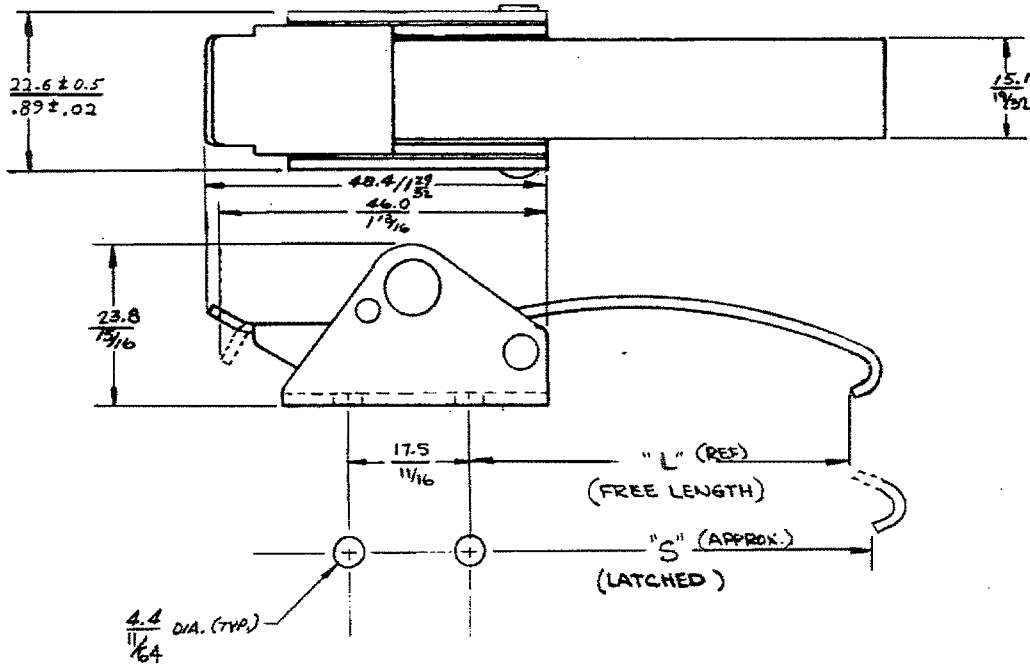
CHKD

SCALE NTS

DRAWING NUMBER J-97-50-1

LEVER STYLE	SPRING RATING	SPRING LENGTH	PART NUMBER	L	S
ACTUATING TAB UP	LIGHT DUTY	SHORT	97-50-310-XX	29.4 1 5/32	31.8 / 1 1/4
		MEDIUM	97-50-320-XX	42.1 1 11/16	44.4 / 1 3/4
		LONG	97-50-330-12	54.8 2 5/32	57.1 / 2 1/4
	HEAVY DUTY	SHORT	97-50-350-11	29.4 1 5/32	31.8 / 1 1/4
		MEDIUM	97-50-360-11	42.1 1 11/16	44.4 / 1 3/4
		LONG	97-50-370-11	54.8 2 5/32	57.1 / 2 1/4
ACTUATING TAB DOWN	LIGHT DUTY	SHORT	97-50-410-XX	29.4 1 5/32	31.8 / 1 1/4
		MEDIUM	97-50-420-XX	42.1 1 11/16	44.4 / 1 3/4
		LONG	97-50-430-12	54.8 2 5/32	57.1 / 2 1/4
	HEAVY DUTY	SHORT	97-50-450-11	29.4 1 5/32	31.8 / 1 1/4
		MEDIUM	97-50-460-11	42.1 1 11/16	44.4 / 1 3/4
		LONG	97-50-470-11	54.8 2 5/32	57.1 / 2 1/4

"XX" PART NO SUFFIX - INDICATES MATERIAL & FINISH  
 : 11 - LEVER, BASE AND SPRING - STEEL; ZINC PLATE, BRIGHT. PIN & RIVET - S/S, NATURAL  
 : 12 - " " - STAINLESS STEEL, PASSIVATE. " "



REV. A: 11-12-82 RJB  
 REV. B: 4-24-84 DEM  
 REV. C: 5-23-80 DEM  
 REV. D: 12-14-83 W. DEM  
 REV. E: 5-1-84 W. DEM  
 REV. F: 12-14-83 W. DEM

REV F / 02JUL2015 / P2015-1305 / CMS/NJF

3/16 INCH

PROPRIETARY ITEM - EXCEPT FOR USES EXPRESSLY GRANTED IN WRITING, INFORMATION DISCLOSED HEREON IS CONFIDENTIAL AND ALL RIGHTS, PATENT AND OTHERWISE, ARE RESERVED BY SOUTHCO, INC.

DRAWING NUMBER

J-97-50-1