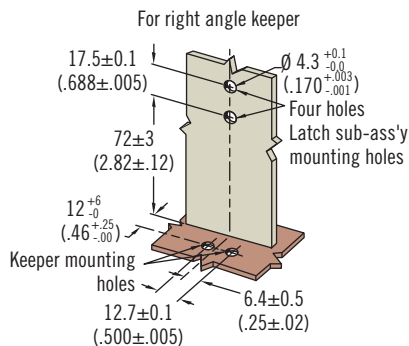
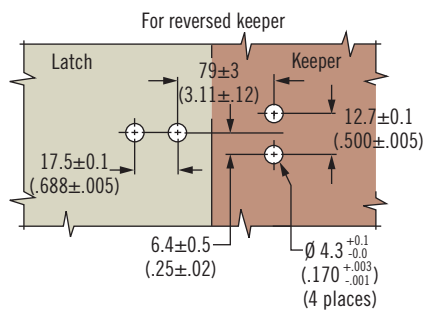
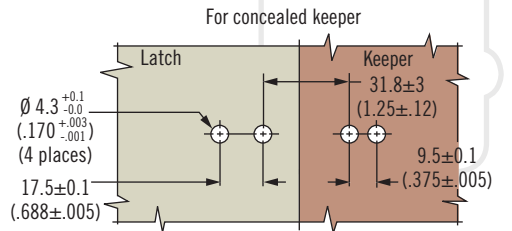
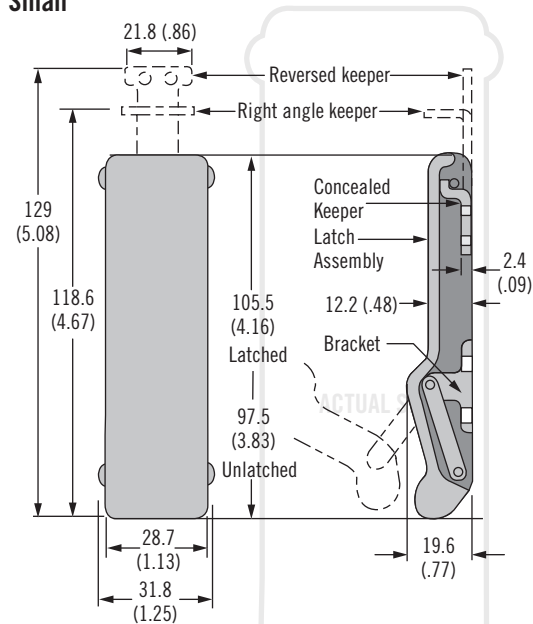


C7 Draw Latch

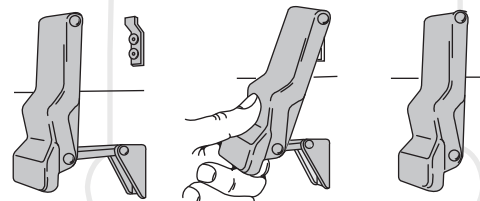
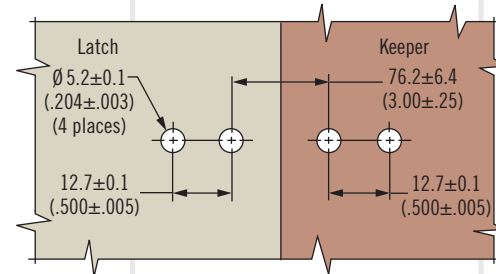
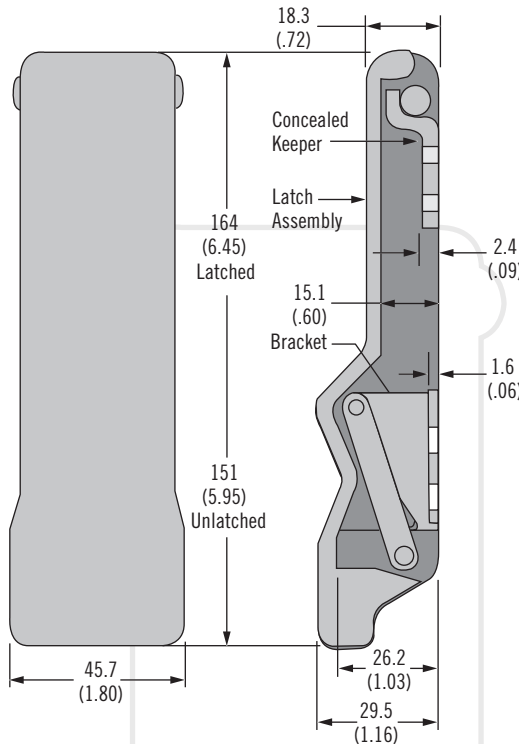
Flexible · Over-center



Small



Large



Size	Keeper Style	Assembly Part Number
Small	Concealed	C7-10
	Reverse Keeper	C7-11
	Right Angle Keeper	C7-12
Large	Concealed	C7-20

- Low profile design
- Non-corrosive materials
- Cushions impact and accommodates misalignment

Material and Finish

Latch: Thermoplastic elastomer, black
 Link and bushings: Glass-filled nylon
 Keeper and bracket: Stainless steel

Performance Details

Small: Clamping force: 49 N (11 lbf)

Large: Clamping force: 176 N (40 lbf)

Flammability rating: UL94-HB

Installation Notes

Small: Install assembly with four Ø 4 (.170) rivets or M4 (No. 8) screws (not supplied)

Large: Install assembly with four Ø5 (.204) rivets or M5 (No. 10) screws (not supplied)

Part Number

See table
 Assembly complete with keeper