



## HD-TVI 2MP Ultra Intensifier® Vandal Dome Camera

### QUICK INSTALLATION GUIDE



HiD8

#### ◆ Special features

- Sony 1/2.8" 2.1MP STARVIS CMOS Sensor
- Supports image resolution up to 1920 x 1080P @ 30fps
- Max. Transmission distance: 985ft over Coaxial cable
- Ultra low light performance
- F = 0.95, 3.6mm 2Megapixel Fixed Lens
- TVI / CVBS (EXT) Output
- Supports WDR, Defog, 2D / 3D DNR, Slow Shutter control (Sense-Up)
- Privacy Masking up to 16 areas
- Full OSD operation through on board control and UTC (up the coax)
- Dynamic Motion Detection (4separable areas)
- Supports 5 Languages
- Perfect 3-Axis Mechanism
- 12VDC operation
- IP67 compliant

#### DEAR CUSTOMERS!

By selecting this product, you have decided to use a professional device that guarantees highest quality and reliability. We would like to thank you very much for your confidence and kindly ask you to read the following instructions carefully before installation and operation in order to take full advantage of all quality features regarding this product.



The lightning flash with an arrowhead symbol, within an equilateral triangle is intended to alert the user to the presence of non-insulated dangerous voltage within the product's enclosure that may be of sufficient magnitude to constitute a risk of electric shock to persons.



The exclamation point within an equilateral triangle is intended to alert the user to the presence of important operating and maintenance (servicing) instructions in the literature accompanying the appliance.

#### INFORMATION

This equipment has been tested and found to comply with limits for a Class A digital device, pursuant to part 15 of the FCC Rules. These limits are designed to provide reasonable protection against harmful interference when the equipment is operated in a commercial environment. This equipment generates, uses, and can radiate radio frequency energy and, if not installed and used in accordance with the instruction manual, may cause harmful interference to radio communications.

Operation of this equipment in a residential area is likely to cause harmful interference in which case the user will be required to correct the interference at his own expense.

#### WARNING

Changes or modifications not expressly approved by the manufacturer could void the user's authority to operate the equipment.

#### CAUTION – To prevent electric shock and risk of the fire hazards

- Do NOT use power source other than that specified.
- Do NOT expose this appliance to rain or moisture.

This installation should be made by a qualified service person and should conform to all local codes.

## 1. Precautions

- Please read the manual carefully before the installation in order to make use the camera to be set up correctly and to have the best picture quality.
- Please keep the manual in good condition for your future reference and service application.
- Installation and services should only be carried out by an authorized personnel according to local safety regulations.
- If any liquid or solid matter gets into the housing, immediately disconnect the camera from power supply and have it checked by your authorized dealer before reusing.
- Avoid installing the camera at extremely hot or cold places.
- If you are not a certified person, never try to dismantle the camera.
- To avoid electric shock, never remove the screws or covers. There are no parts inside that need maintenance by the user. All maintenance should be carried out by qualified personnel.
- Avoid installing the camera at a place of high humidity.
- Avoid installing the camera at the place exposed to gas or oil.
- Keep the top glass of the lens always clean in order to obtain the best picture quality all the time. Be careful not to be stained by fingerprint.
- Don't face the camera directly toward sunlight or sunlight reflecting area. CMOS may go defective at this condition.
- Please give a special attention to keep the unit from dangerous drop or external shock during the process of transportation or handling.
- Never try to touch the camera in wet hand. It may cause an electric shock.
- Do not expose the camera to radioactivity. It causes a serious damage on the CMOS.

## 2. Limitation of liability

This publication is provided "AS IS" without warranty of any kind, either express or implied, including but not limited to, the implied warranties of merchantability, fitness for any particular purpose, or non-infringement of the third party's right. This publication could include technical inaccuracies or typographical errors. Changes are added to the information herein, at any time, for the improvements of this publication and / or the corresponding product(s).

## 3. Disclaimer of warranty

In no event shall seller be liable to any party or any person, except for replacement or reasonable maintenance of the product, for the cases, including but not limited to below :

- (1) Any damage and loss, including without limitation, direct or indirect, special, consequential or exemplary, arising out of or relating to the product.
- (2) Personal injury or any damage caused by inappropriate use or negligent operation of the user.
- (3) Unauthorized disassemble, repair or modification of the product by the user.
- (4) Inconvenience or any loss arising when images are not displayed, due to any reason or cause including any failure or problem of the product.
- (5) Any problem, consequential inconvenience, or loss or damage, arising out of the system combined by the devices of third party.
- (6) Any claim or action for damages, brought by any person or organization being photogenic subject, due to violation of privacy with the result of that surveillance-camera's picture, including saved data, for some reason, becomes public or is used for the purpose other than surveillance.

## 4. Package



Camera x 1



Manual x 1



Drilling template x 1



Extra Video output x 1



Tapping screws x 3



Plastic anchor x 3



Torx Wrench x 1



Chameleon Cover x 1

#### - Junction Box



Top Rubber x 1



Junction Box x 1



Sponge x1



Screw PH (M4 x 0.47in) x 3



Tapping Screws (Ø4 x 1.18in) x 4



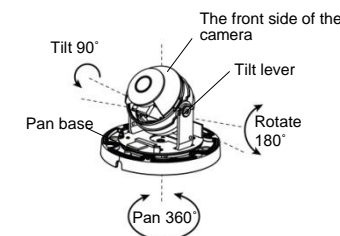
Plastic Anchor x 4

## 5. Installation

### 5-1. Adjust Pan, tilt and Rotation and the View Angle

- Pan, Tilt, Rotate (3-Axis mechanism) makes easy to monitor the desired view.

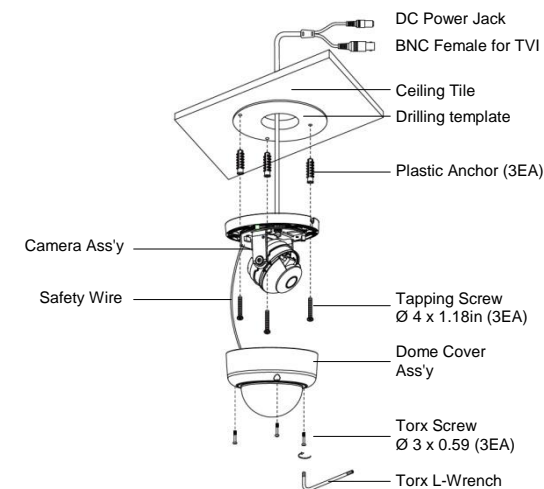
- Panning axis can be adjusted 360°
  - Tilting axis can be adjusted 0° ~ 90°
  - Rotating axis can be adjusted between +180° (clockwise) and -180° (counter-clockwise)
- Do not rotate more 180° as this might cause the internal cables to twist and disconnect or break.



- How to adjust the View Angle

- a. Panning 360 degree  
Turn the pan base right or left to adjust the pan angle.
- b. Tilting 90 degree  
Loosen the tilt lever on the right or left side of the camera board. Control the camera tilt angle and fasten the tilt lever again.
- c. Rotation 180 degree  
Grasp the front side of the camera board and turn it right or left to set the exact angle of image.

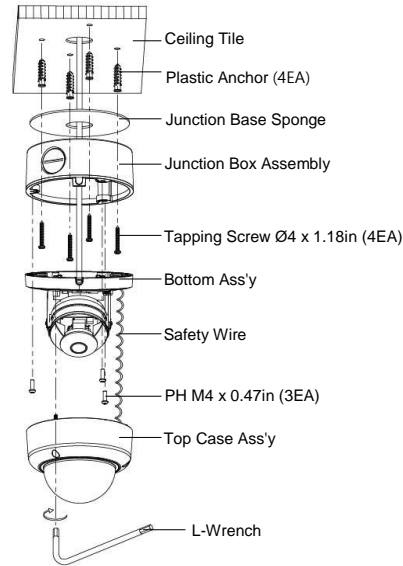
### 5-2. How to install on the Ceiling



- ① Paste a Drilling Template on the ceiling. (or wall)
- ② Drill screw points which will be done for installation. Fix the plastic anchors in the holes. (in case of masonry ceiling or wall)
- ③ Mount the camera set by using Tapping Screws with Ø4 provided.
- ④ Set the position and angle of the cameras to a desired direction and assemble the dome cover.

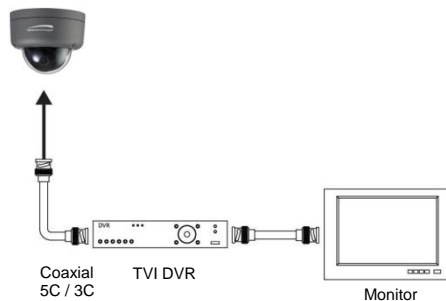
## 5. Installation

### Ceiling\_Junction Box



- ① Attach the Sponge on junction Box.
- ② Mark the hole of junction box on the ceiling with tapping screw.
- ③ Drill the hole and input the anchor. And install the junction box with Tapping Screw.
- ④ Input Cable inside Junction Box.
- ⑤ Install Bottom Ass'y on junction box with PH M4 x 0.47in.
- ⑥ Install Top Case Ass'y on Bottom Ass'y with L-Wrench.

### 5-3. Application of TVI output



## 6. Function and operation

### 6-1. On Screen Display (On board control and UTC)

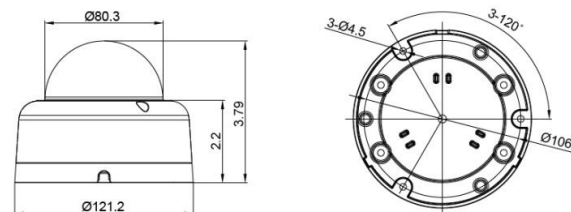
| PRESET MENU   |                                 |                        |                         |                          |                       |
|---|---------------------------------|------------------------|-------------------------|--------------------------|-----------------------|
| INDOOR / OUTDOOR / LOW LIGHT / HALLWAY / LOBBY / ELEVATOR |                                 |                        |                         |                          |                       |
| SETUP   |                                 |                        |                         |                          |                       |
| <b>LENS</b>   | DC                              | MANUAL                 |                         |                          |                       |
| <b>EXPOSURE</b>   | BRIGHTNESS                      | SHUTTER                | INTENSIFY               | AGC                      | RETURN                |
| <b>WHITE BAL</b>  | AUTO                            | AWB                    | AWC-SET                 | MANUAL                   |                       |
| <b>BACKLIGHT</b>  | WDR                             | BLC                    | HLC                     | OFF                      |                       |
| <b>DAY&amp;NIGHT</b>                                      | COLOR                           | B/W                    | AUTO                    |                          |                       |
| <b>DNR</b>  | LOW                             | MIDDLE                 | HIGH                    |                          | RETURN                |
| <b>IMAGE</b>  | SHARPNESS<br>ACE                | GAMMA<br>DEFOG         | COLOR<br>GAIN<br>RETURN | MIRROR                   | FLIP                  |
| <b>MOTION</b>   | ON                              | OFF                    |                         |                          |                       |
| <b>SYSTEM</b>   | ANALOG HD<br>COLOR BAR<br>RESET | FRAME RATE<br>LANGUAGE | FREQ<br>CAM TITLE       | IMAGE RANGE<br>CAM TITLE | COLOR SPACE<br>RETURN |
| <b>EXIT</b>   |                                 |                        |                         |                          |                       |

## 7. Troubleshooting

If there are problems in operating, please refer to the checklist below.  
If the problem persists, please contact the agent where this product is purchased.

| Problems   | Troubleshooting   |
|--|---|
| Nothing appears on the screen.   | <ul style="list-style-type: none"> <li>Please check that the power cord and line connection between the camera and monitor are fixed properly.</li> <li>Please check that you have properly connected Video cable to the camera Video output jack.</li> </ul>   |
| The dim image on the screen.   | <ul style="list-style-type: none"> <li>Is lens stained with dirt? Clean your lens with soft, clean cloth.</li> <li>Set the monitor to proper condition.</li> <li>If the camera is exposed to too strong light, change the camera position.</li> <li>Please check if the power supply is within the specification &amp; cables. (Due to the voltage drop with distance and gauges, Led will light poor)</li> </ul> |
| The dark image on the screen.  | <ul style="list-style-type: none"> <li>Adjust the contrast feature of the monitor.</li> <li>If there is an intermediate device, set the 75Ω / Hi-Z properly. (Please check the impedance)</li> </ul>  |
| The camera is not working properly, and the body of the camera is hot. | <ul style="list-style-type: none"> <li>Please check if the power supply is regulated and is within the standard requirement of the products.</li> </ul>   |
| Color is not correct.  | <ul style="list-style-type: none"> <li>Please check the setting of White Balance setup.</li> </ul>  |
| The screen is flickering.  | <ul style="list-style-type: none"> <li>Please check if the camera is facing directly towards sunlight or fluorescent light.</li> </ul>  |

## 8. Dimension (in)



## 9. Specifications

| MODEL                   | HID8  |
|-------------------------|---|
| Image sensor            | Sony 1/2.8 inch 2.1MP STARVIS CMOS Sensor               |
| Total Pixel             | 1945(H) x 1109(V) 2.16 Megapixel                        |
| Effective Pixels        | 1945(H) x 1097(V) 2.13 Megapixel                        |
| Scanning system         | Progressive scan  |
| Video output            | 1920 x 1080 @ 25fps / 30fps, 1280 x 720 @ 25fps / 30fps |
| Output                  | TVI   |
| S/N ratio               | More than 520B (AGC OFF / Weight ON)                    |
| Min. Illumination       | 0.001Lux  |
| Privacy Mask            | ON / OFF (16 zone)                                      |
| Motion                  | ON / OFF (4 zone)                                       |
| NEG.Image               | ON / OFF  |
| Mirror / Flip           | ON / OFF  |
| White Balance           | AUTO / AWB / AWB - SET / MANUAL                         |
| Shutter                 | AUTO / MANUAL / FLICKER                                 |
| Sens-UP                 | AUTO / OFF (Selectable Limit x2 ~ x32)                  |
| Backlight               | OFF / HLC / BLC / WDR                                   |
| 2D / 3DNR               | OFF / LOW / MIDDLE / HIGH                               |
| AGC (Auto Gain Control) | 0 ~ 10 (Level adjustable)                               |
| Day & Night             | COLOR / B&W / AUTO                                      |
| Sharpness               | 0 ~ 10 (Level adjustable)                               |
| WDR                     | NORMAL / ROI  |
| Defog                   | ON / OFF  |
| Language                | ENG, CHN, CHN(S), JPN, KOR                              |
| Lens                    | F=0.95, 3.6mm 2Megapixel Fixed Lens                     |
| Power Source            | 12VDC   |
| Operating current       | 100mA ±10% (12VDC)                                      |
| Operating Temperature   | -40F ~ 140F   |
| Storage Temperature     | -40F ~ 140F   |
| Operating Humidity      | 0%RH ~ 90%RH  |
| Measurement(in)         | 121.2(Ø) x 3.79(H)                                      |
| Weight(Approx. oz)      | 52oz  |

× Specifications are subject to change without prior notice for better improvement.