

## **Intensifier® IP Dome Camera**

---

### ***QUICK INSTALLATION GUIDE***



### **O2iD8**

Please read this guide carefully before installation and operation of the product.

## Notice

Thank you for purchasing this product. This guide is designed to be a reference tool for the product. Please read it carefully before operating the product and retain it for future reference. Should you require any technical assistance, please contact Speco Technologies Technical Support.



The lightning flash with an arrowhead symbol, within an equilateral triangle is intended to alert the user to the presence of non-insulated dangerous voltage within the product's enclosure that may be of sufficient magnitude to constitute a risk of electric shock to persons.



The exclamation point within an equilateral triangle is intended to alert the user to the presence of important operating and maintenance (servicing) instructions in the literature accompanying the appliance.

## INFORMATION

This equipment has been tested and found to comply with limits for a Class A digital device, pursuant to part 15 of the FCC Rules. These limits are designed to provide reasonable protection against harmful interference when the equipment is operated in a commercial environment. This equipment generates, uses, and can radiate radio frequency energy and, if not installed and used in accordance with the instruction manual, may cause harmful interference to radio communications. Operation of this equipment in a residential area is likely to cause harmful interference in which case the user will be required to correct the interference at its own expense.

## WARNING

Changes or modifications not expressly approved by the manufacturer could void the user's authority to operate the equipment.

## CAUTION – To prevent electric shock and risk of the fire hazards

- Do NOT use power source other than that specified.
- Do NOT expose this appliance to rain or moisture.

This installation should be made by a qualified service person and should conform to all local codes.

## **PRECAUTIONS**

---

- Please read the manual carefully before the installation in order to set up the camera correctly and to obtain the best picture quality.
- Installation and services should only be carried out by an authorized personnel according to local safety regulations.
- If any liquid or solid matter gets into the housing, immediately disconnect the camera from power supply and have it checked by your authorized dealer before reusing.
- Avoid installing the camera in extremely hot or cold places.
- If you are not a certified person, never try to dismantle the camera.  
To avoid electric shock, never remove the screws or covers. There are no parts inside that need maintenance by the user. All maintenance should be carried out by qualified personnel.
- Avoid installing the camera in a place of high humidity.
- Avoid installing the camera at a place exposed to gas or oil.
- Don't point the camera directly at sunlight.
- Please pay special attention to keep the unit from dropping or external shock during the process of transportation or handling.
- Never try to touch the camera with wet hands. It may cause an electric shock.
- Do not expose the camera to radioactivity. It can cause a serious damage on the image sensor.

## **LIMITATION OF LIABILITY**

---

This publication is provided "AS IS" without warranty of any kind, either express or implied, including but not limited to, the implied warranties of merchantability, fitness for any particular purpose, or non-infringement of the third party's right.

This publication could include technical inaccuracies or typographical errors. Changes are added to the information herein, at any time, for the improvements of this publication and / or the corresponding product(s).

## **DISCLAIMER OF WARRANTY**

---

In no event shall seller be liable to any party or any person, except for replacement or reasonable maintenance of the product, for the cases, including but not limited to below :

- (1) Any damage and loss, including without limitation, direct or indirect, special, consequential or exemplary, arising out of or relating to the product.
- (2) Personal injury or any damage caused by inappropriate use or negligent operation of the user.
- (3) Unauthorized disassembly, repair or modification of the product by the user.
- (4) Inconvenience or any loss when images are not displayed, due to any reason or cause including any failure or problem of the product.
- (5) Any problem, consequential inconvenience, or loss or damage, when combined with third party devices.
- (6) Any claim or action for damages, brought by any person or organization, due to a violation of privacy when the surveillance footage, for some reason, becomes public or is used for the purpose other than surveillance.

# 1. PRODUCT OVERVIEW

## Key Features

- 2.0 megapixel progressive scan CMOS image sensor for excellent image quality
- Low light, Ultra high sensitivity camera
- IP66 compliant
- Vandal-resistant
- 3-axis mechanism
- Built-in temperature / humidity sensor
- Heater operation according to humidity
- Triple Stream for simultaneous operations
- Up to 30 frames per second at all image resolutions
- Integrated motion detection with pre- and post-alarm image / video buffering
- Supports CBR (constant bit rate) and VBR (variable bit rate) modes
- Tampering-Alarm function
- Controllable frame rate
- Privacy Masking up to 8 areas
- Built-in PoE (power over Ethernet)
- HTTPS support
- DDNS and DHCP client



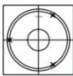










## Specification

| CLASSIFICATION                                       |   | Night Vision Outdoor IR Camera   |
|--|---|--|
| General  | CPU   | ARM1176JZF-STM ( 400 MHz, Instruction cache : 32kbyte, data cache : 16kbyte, MMU ) |
|  | Flash   | 2Gbit Flash Memory   |
|  | SDRAM   | 2Gbit DDR3 Memory  |
| Image Pickup   | Image Sensor                                      | 2.0 Megapixel 1/2.8" SONY progressive scan CMOS image sensor                       |
|  | Total Pixels                                      | 1952(H) x 1116(V) 2.18 Megapixel   |
|  | Effective Pixels                                  | 1944(H) x 1104(V) 2.14 Megapixel   |
|  | S/N Ratio   | More than 50dB   |
|  | Min. Illumination                                 | 0.1Lux   |
|  | Lens  | 3.6mm Megapixel Lens (F=0.94)  |
| Video  | Video Compression                                 | H.264 High Profile @ Level 4.1, Motion JPEG  |
|  | Resolutions                                       | Up to 1920 x 1080  |
|  | Frame rate  | H.264 Up to 30fps with 1920 x 1080   |
|  |   | H.264 Up to 30fps with VGA resolution  |
|  |   | MJPEG Up to 30fps with VGA resolution  |
|  | Video Streaming                                   | Support Multi Stream with H.264, MJPEG   |
|  |   | Adjustable Frame Rate  |
|  |   | VBR / CBR in H.264   |
|  | Image Setting                                     | Brightness, Contrast, Sharpness  |
|  |   | Auto White Balance Auto Exposure   |
|  |   | Privacy Mask   |
| DSS, Corridor-view (in H.264), Mirror / V-Flip, etc. |   |  |
| D-WDR (Low / Middle / High)                          |   |  |
| Network  | Security  | Password Protection  |
|  |   | User Access Log  |
|  |   | HTTPS Encryption   |
| Supported Protocol                                   | HTTP, HTTPS, DNS, RTSP, RTP, TCP, UDP, ICMP, DHCP |  |
| System   | Intelligent Video                                 | Motion detection 12 x 12 blocks  |

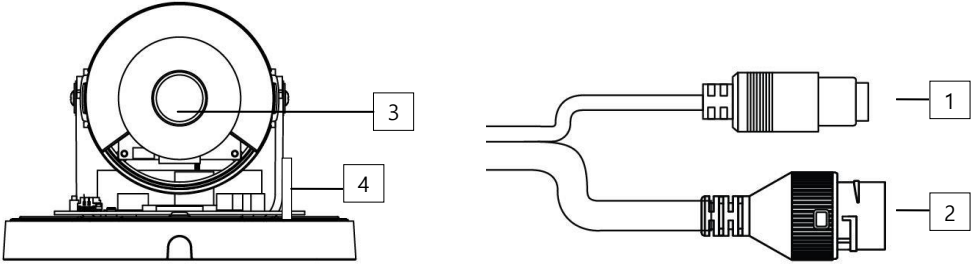
|             |                       |   |
|-------------|-----------------------|---|
| Integration | Alarm trigger         | Motion detection                            |
|             | Firmware Upgrade      | Remote Upgrade via Network                  |
| Physical    | Memory Slot           | Micro SD slot                               |
|             | Power Source          | DC 12V, POE (Power Over Ethernet) : 802.3af |
|             | Power Consumption     | 4W  |
|             | Net Weight            | 1.3lbs                                      |
|             | LEDs                  | Power, Network Connection                   |
|             | Dimensions            | 4.8" (Ø) x 3.8" (H)                         |
| Environment | Operating Temperature | 14F ~ 122F                                  |
|             | Storage Temperature   | -4F ~ 140F                                  |

## 2. NAME AND FUNCTION OF EACH PART

### 2.1 Package Contents

| APPEARANCE  | DESCRIPTION                                      |
|---|--|
|    | IP Camera x 1                                    |
|    | Installation Guide x 1                           |
|    | Drilling Template x 1                            |
|    | Tapping screw ( $\varnothing 4 \times 30$ ) x 3  |
|    | Plastic anchor x 3                               |
|    | Torx Wrench x 1                                  |
|   | CD x 1   |
| <b>Junction Box</b>   |  |
|  | Top Rubber x 1                                   |
|  | Junction Box x 1                                 |
|  | Sponge x1  |
|  | Tapping Screws ( $\varnothing 4 \times 30$ ) x 4 |
|  | Plastic Anchor x 4                               |
|  | Screw PH (M4 x 12) x 4                           |

### 2.2 Name and Function



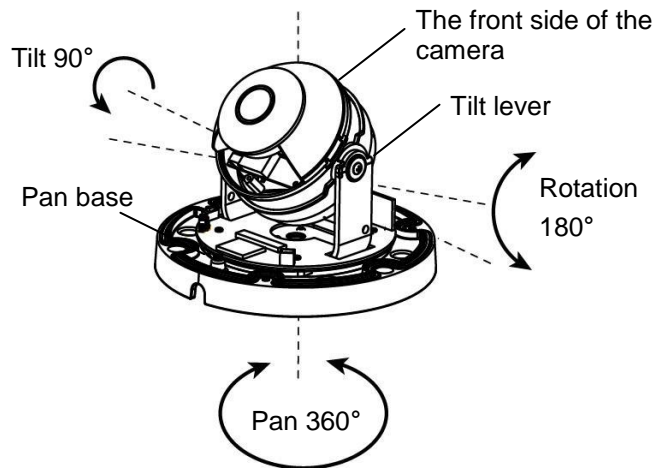
| NO. | ITEM                      | DESCRIPTION   |
|-----|---------------------------|---|
| 1   | Power Connector           | DC12V<br><b>※ Caution : If camera is powered by PoE, do not plug in DC Jack with active DC power into DC power connector.</b> |
| 2   | Network and POE Connector | POE (Power over Ethernet) and LAN cable   |
| 3   | Lens                      | 3.6mm fixed lens  |
| 4   | Micro SD                  | Memory card slot  |

### 3. INSTALLATION

#### 3.1 Adjust Pan, Tilt and Rotation and the Viewing Angle

- **Pan, Tilt, Rotate (3-Axis mechanism)**

- Panning axis can be adjusted 360°
- Tilting axis can be adjusted 0° ~ 90°
- Rotating axis can be adjusted between +180° (clockwise) and -180° (counter-clockwise)  
Do not rotate more 180° as this might cause the internal cables to twist and disconnect or break.

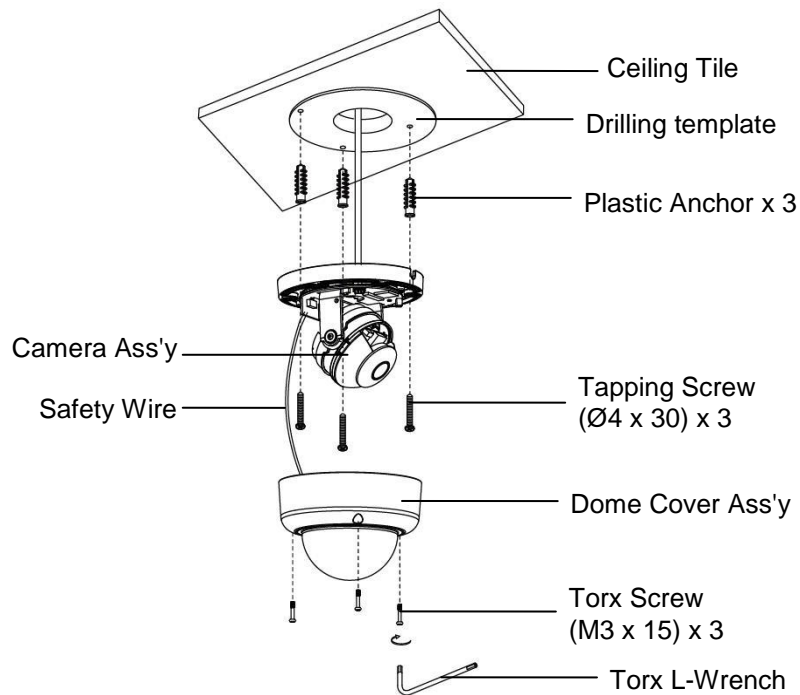


- **How to adjust the Viewing Angle**

- a. Panning 360 degree  
Turn the pan base right or left to adjust the pan angle.
- b. Tilting 90 degree  
Loosen the tilt lever on the right or left side of the camera board.  
Control the camera tilt angle and fasten the tilt lever again.
- c. Rotation 180 degree  
Grasp the front side of the camera board and turn it right or left to set the exact angle of image.

#### 3.2 How to Mount to Ceiling

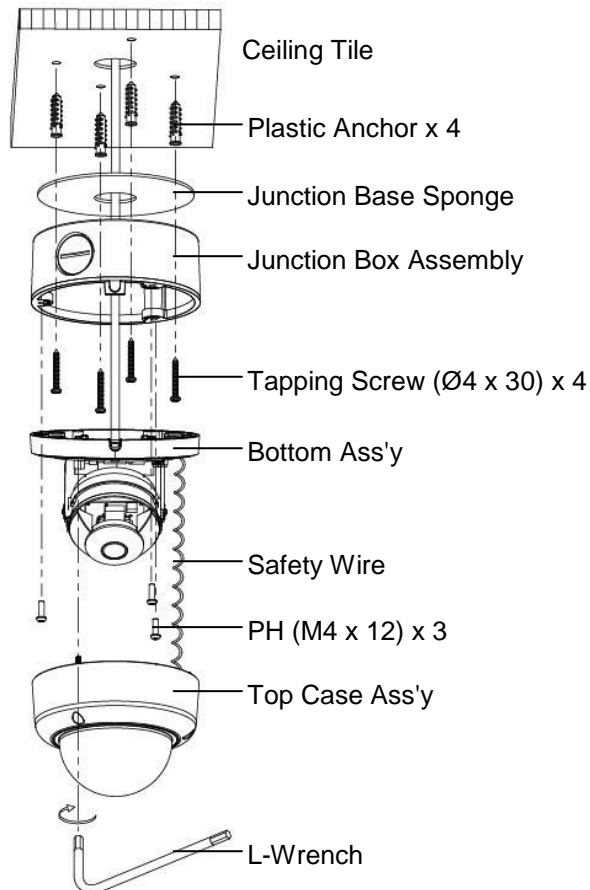
• **Ceiling**





- ① Paste a Drilling Template on the ceiling. (or wall)
- ② Drill screw points which will be done for installation.  
Fix the plastic anchors in the holes. (in case of masonry ceiling or wall)
- ③ Mount the camera set by using Tapping Screws with  $\varnothing 4$  provided.
- ④ Set the position and angle of the cameras to a desired direction and assemble the dome cover.

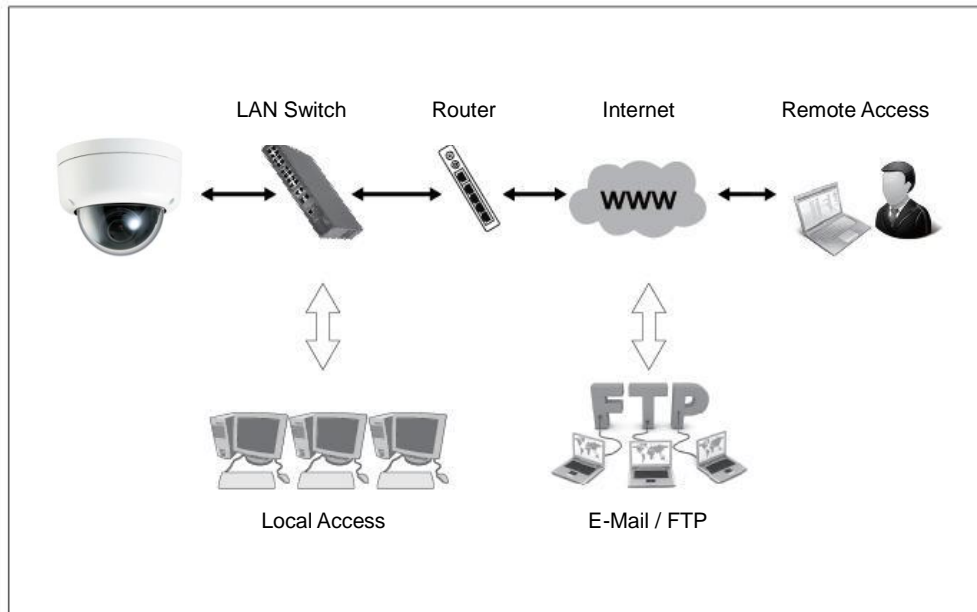
• **Ceiling\_Junction Box**



- 1) Attach the Sponge on Junction Box
- 2) Mark the hole of Junction box on the ceiling with Tapping Screw
- 3) Drill the hole and input the anchor. And install the Junction Box with Tapping Screw
- 4) Input Cable inside Junction Box
- 5) Install Bottom Ass'y on Junction Box with PH M4X12
- 6) Install Top Case Ass'y on Bottom Ass'y with L\_Wrench

### 3.3 INSTALLATION EXAMPLE

#### 3.3.1 Installation Example



#### 3.3.2 Connecting to the Network

Open up IP Scanner.

IP Scanner can search for the device on the local network.

Please note that only devices that are on the same subnet can be discovered.

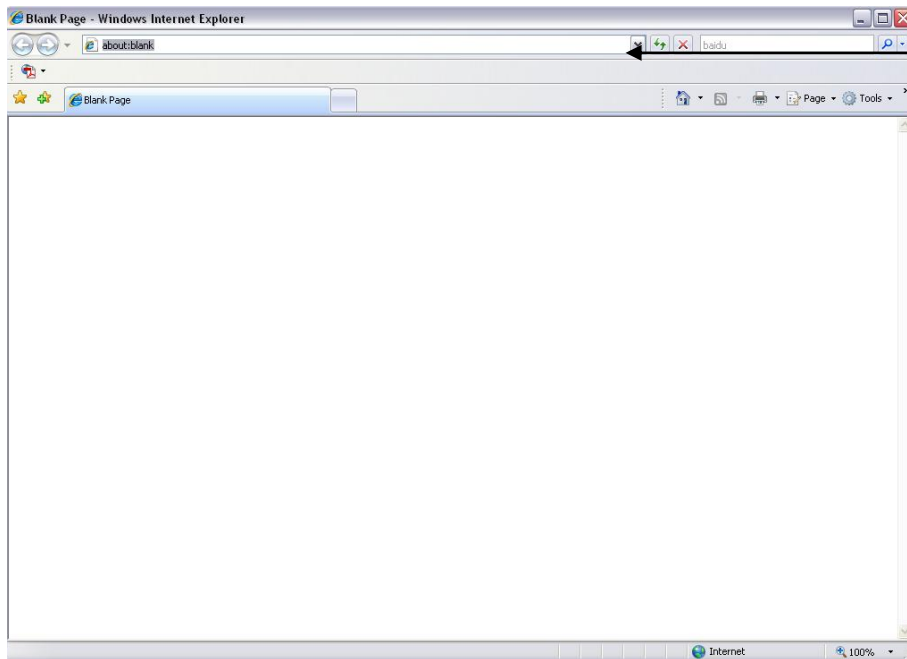
The device is set to DHCP mode by default.

In the device list, you can view the IP address, model number, and MAC address of each device. Select the applicable device and double click to open up the web viewer.

| Status | Name        | IP Address     | MAC Address       | Version          |
|--------|-------------|----------------|-------------------|------------------|
| Online | O2D4M       | 192.168.56.128 | 00:07:18:FF:03:73 | 1.0.57           |
| Online | O2D4        | 192.168.56.143 | 5C:F2:07:1C:28:CA | 1.0.53           |
| Online | VIP2PTZ12X  | 192.168.56.157 | 00:07:D8:17:8A:68 | 1.3.7-X1_release |
| Online | VIP2D1M     | 192.168.56.149 | 5C:F2:07:20:9D:AD | 2.5.0-T3_release |
| Online | O5MDP1      | 192.168.56.139 | 5C:F2:07:1C:3E:66 | 1.0.47           |
| Online | Eddie-O2DP8 | 192.168.56.104 | 5C:F2:07:1C:1F:74 | 1.0.47           |
| Online | O5MDP1      | 192.168.56.124 | 5C:F2:07:1C:23:D8 | 1.0.47           |
| Online | O2DP9       | 192.168.56.147 | 5C:F2:07:1C:74:16 | 1.0.54           |
| Online | OB1         | 192.168.56.105 | 5C:F2:07:1C:01:38 |                  |
| Online | OPTZ36XI    | 192.168.56.140 | 5C:F2:07:1C:03:1D |                  |
| Online | n/a         | 192.168.56.130 | 5C:F2:07:24:00:1A | 2236.0.0.1412190 |
| Online | n/a         | 192.168.56.14  | 5C:F2:07:24:03:C2 | 2236.0.0.1409180 |
| Online | n/a         | 192.168.56.12  | 5C:F2:07:24:51:2E | 2218.0.0.1409180 |
| Online | O2VLB2      | 192.168.56.146 | 4C:11:BF:8A:23:64 |                  |

### 3.3.3 Accessing the Camera's Web Setup Page

- 1) Open the browser and enter the camera's IP address in the address bar or double click the device in IP Scanner.



- 2) Enter the user name and password when prompted.
- 3) Default user name is **admin** and password is **1234**.
- 4) If prompted for installation of the Active-X plug-in, allow the installation. Active-X is needed to view video from Internet Explorer.

#### 4. DIMENSIONS (mm)

---

