

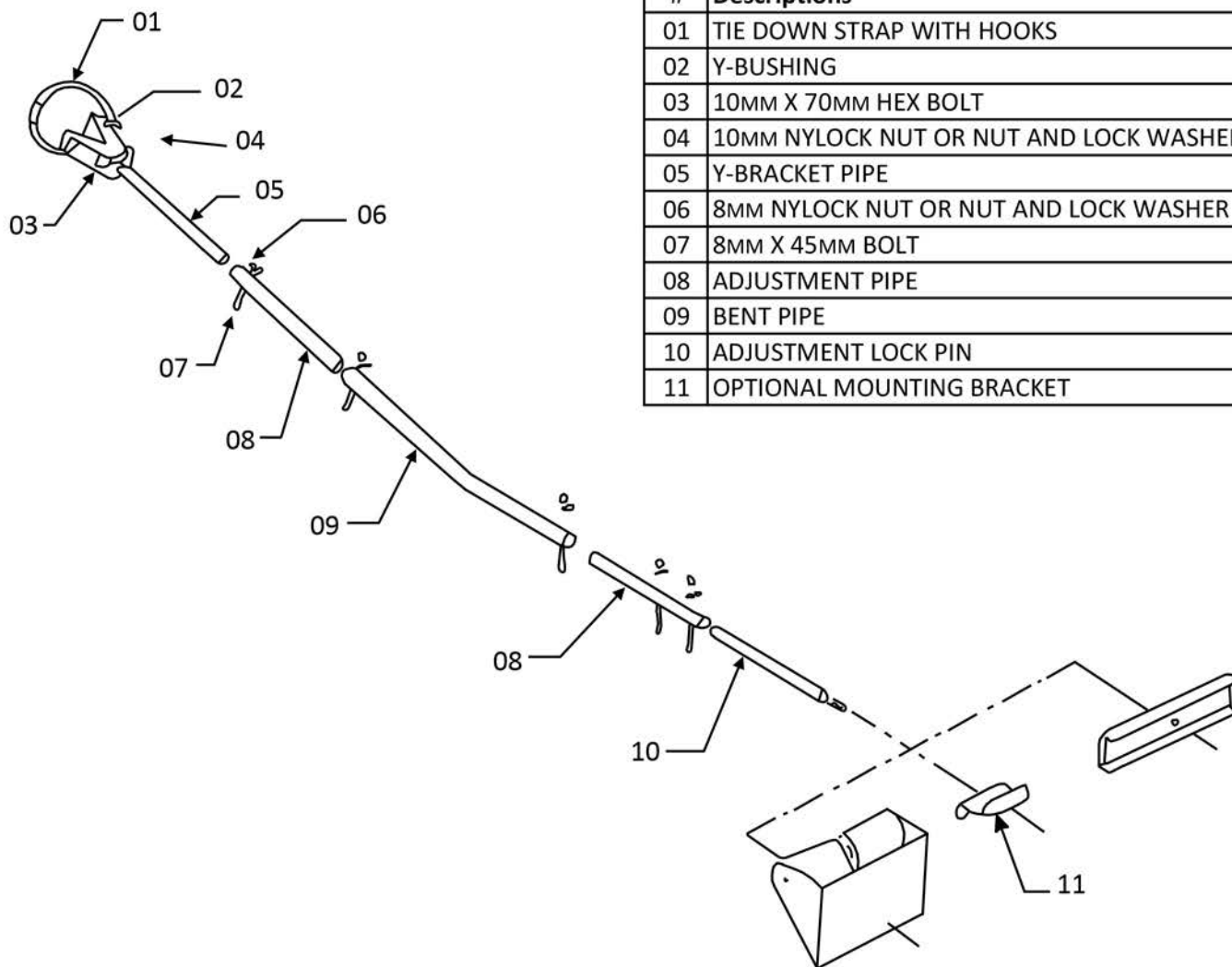


# Extend-A-Reach Motor Support

The Extend-A-Reach Motor Support is adjustable from 26" to 56" to fit most applications.

The Extend-A-Reach is secured to the trailer by rotating the unit 90 degrees, to lock it in. (If the trailer has a rear keel roller bracket, the The Extend-A-Reach can be locked into the vertical adjustment slot)

If you need to use the mounting bracket provided with your unit, mount the bracket to the bottom of the trailer's rear cross member using the existing hole, or you may drill a new one.



#	Descriptions	EA
01	TIE DOWN STRAP WITH HOOKS	1
02	Y-BUSHING	1
03	10MM X 70MM HEX BOLT	1
04	10MM NYLOCK NUT OR NUT AND LOCK WASHER	1
05	Y-BRACKET PIPE	1
06	8MM NYLOCK NUT OR NUT AND LOCK WASHER	5
07	8MM X 45MM BOLT	5
08	ADJUSTMENT PIPE	2
09	BENT PIPE	1
10	ADJUSTMENT LOCK PIN	1
11	OPTIONAL MOUNTING BRACKET	1