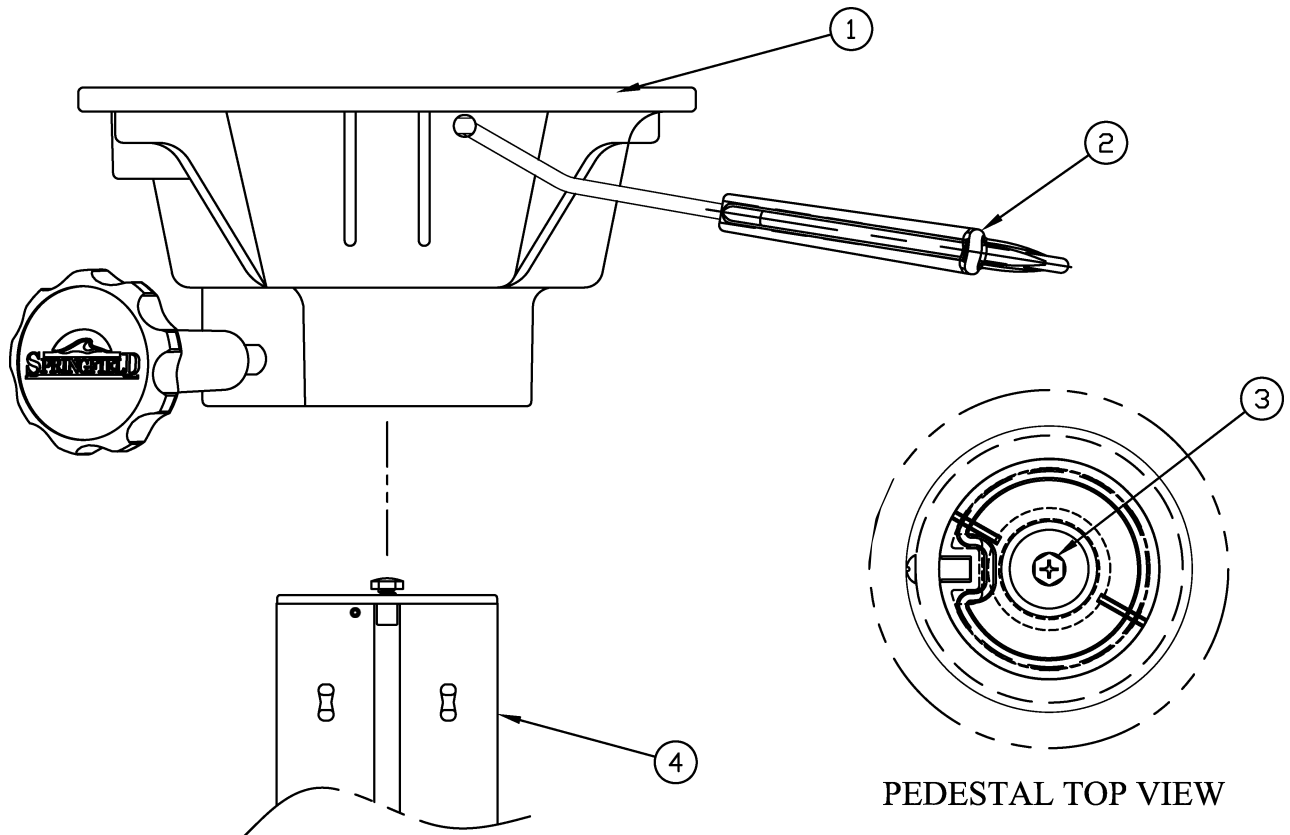


ADJUSTMENT INSTRUCTIONS MAINSTAY PEDESTALS



After placing your Springfield [Marine](#) Slide or Swivel (Item #1) onto the pedestal (Item #4) verify that the pedestal adjustment handle (Item #2) is functioning properly.

If the pedestal raises up without the handle being activated, adjust the air cylinder screw (Item #3) clockwise $\frac{1}{2}$ turn using a Philips head screw driver. Apply pressure to the top of the slide or swivel to see if it will go down without activating the handle. If the pedestal still raises up without activating the handle, adjust screw another $\frac{1}{2}$ " turn clockwise. Continue this process until the unit will hold weight without the handle being activated.

If the pedestal will not raise or lower when the handle is activated, turn the screw $\frac{1}{2}$ turn counter-clockwise. If the pedestal will still not raise or lower while the handle is activated, turn the screw another $\frac{1}{2}$ turn counter-clockwise. Continue this process until the unit will raise and lower properly.